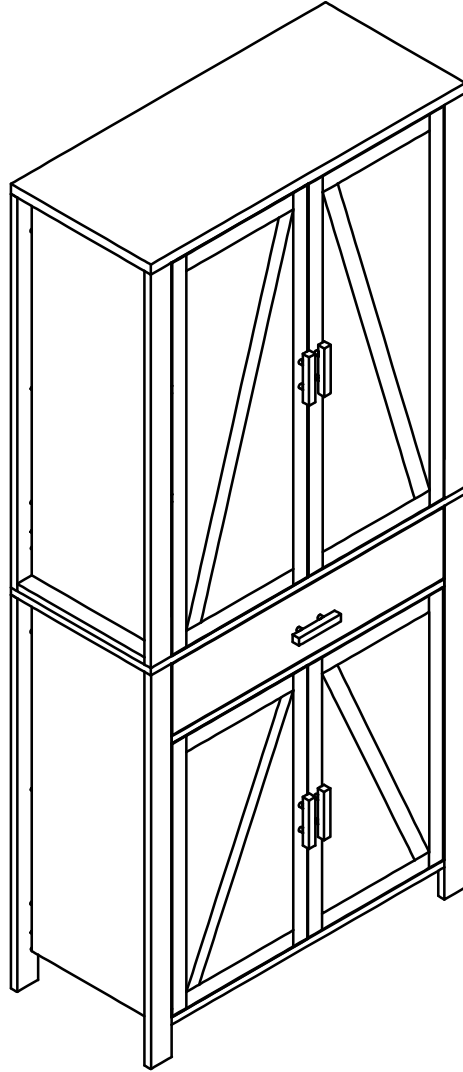


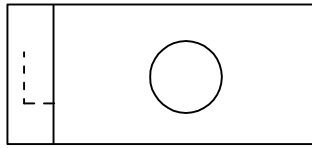
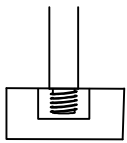
ASSEMBLY INSTRUCTIONS

Style # C1158-BL&C1158-WH Hutch



NOTE TO CUSTOMERS:

- For ease and speed of assembly we recommend that before you commence each step of the assembly that you identify all the parts required to complete that step.
- We recommend that where possible you allow sufficient space to assemble the item as close as possible to the place where it will be once assembled.
- For the protection of your furniture we recommend that the product is placed on protected surfaces during assembly to prevent any damage.
- During assembly do not over tighten, as this may damage the product.
- Please ensure you retain all the product packaging until the item completely assembled.
- Please periodically check all fittings and re-tighten as necessary.
- It is recommended that this item should be assembled by two adults.



1. Insert cam screw into hole as shown in diagram A .

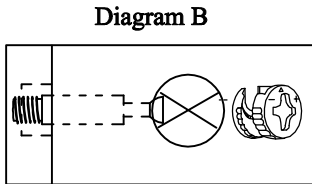
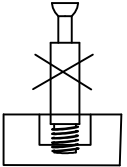


Diagram B

Make sure not to insert the cam screw:
Too deep as shown in figure B as this will cause the
cam screw to be misaligned and unable to
interlock properly.

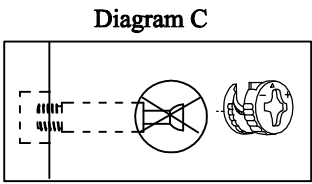
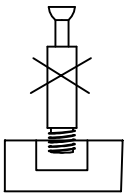
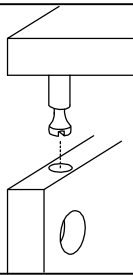
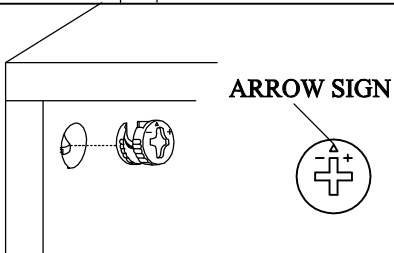


Diagram C

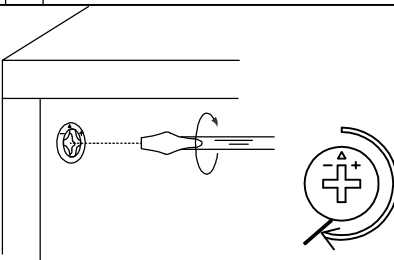
Also avoid inserting the cam screw too close to the
surface of the hole as shown in figure C, as this will
cause the cam lock to be too loose, and not interlock
properly.



2. Connect the panels together.



3. When inserting the cam lock make sure the arrow
of the cam lock faces the cam screw.



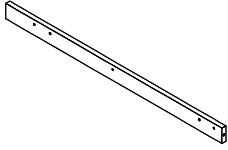
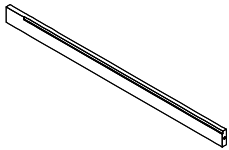
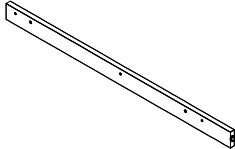
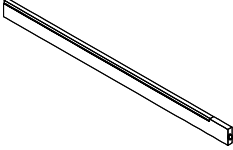
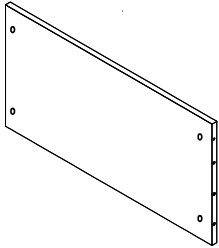
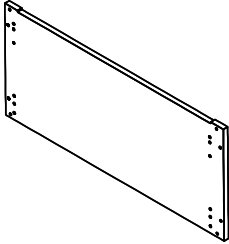
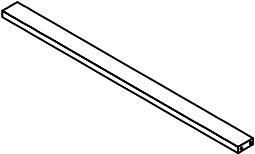
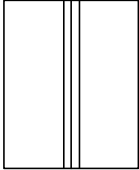
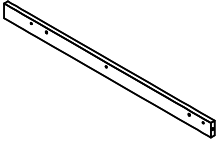
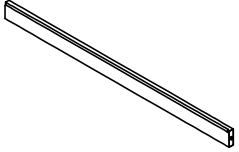
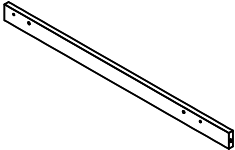
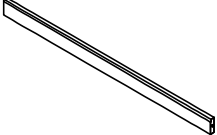
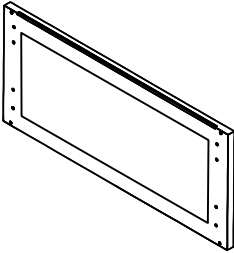
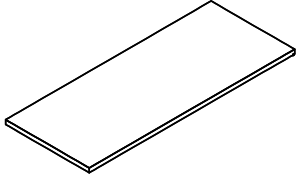
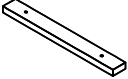
4. To tighten the cam lock turn the cam lock clockwise
90-180 degree or until the arrow is facing opposite
the place cam lock was inserted.

**NOTE: DO NOT USE AN AUTOMATIC
SCREWDRIVER TO TIGHTEN CAM LOCKS.**

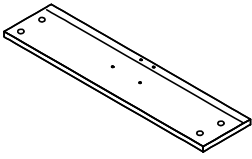
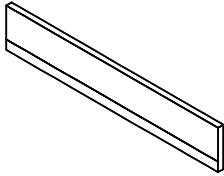
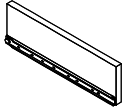
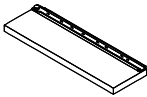
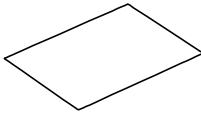
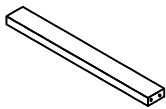
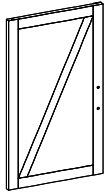
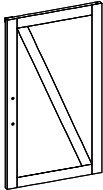
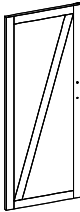
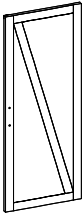
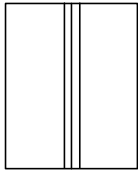
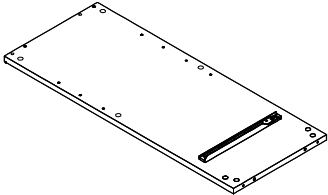
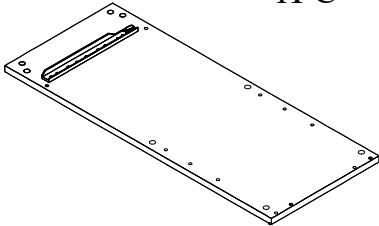
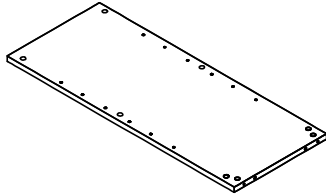
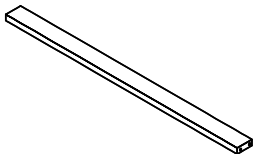
Note:

- Read these instructions carefully before assembling.
- Tools required : Phillips screwdriver, flat screwdriver.
- Find a clean, smooth area on which to work , such as a carpet, in order to avoid scratching the wood surfaces.
- Wait to dispose of the packing material until assembly is complete and all parts and hardware are accounted for.
- Two or more people might be required for assembly.

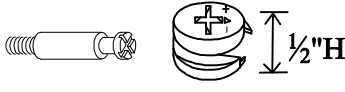


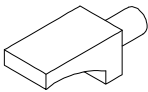
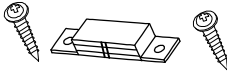

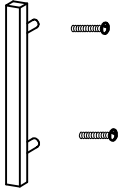
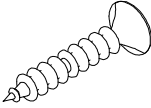

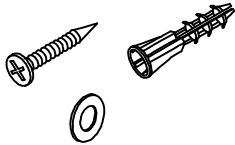
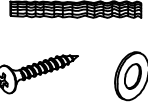

Part List

<p>1 1PC</p>  <p>Lower Front Leg(Left)</p>	<p>2 1PC</p>  <p>Lower Rear Leg(Left)</p>	<p>3 1PC</p>  <p>Lower Front Leg(Right)</p>
<p>4 1PC</p>  <p>Lower Rear Leg(Right)</p>	<p>5 1PC</p>  <p>Lower Bottom Panel</p>	<p>6 1PC</p>  <p>Upper Bottom Panel</p>
<p>7 1PC</p>  <p>Back Connect Bar</p>	<p>8 1PC</p>  <p>Upper Back Panel</p>	<p>9 1PC</p>  <p>Upper Front Leg(Left)</p>
<p>10 1PC</p>  <p>Upper Rear Leg(Left)</p>	<p>11 1PC</p>  <p>Upper Front Leg(Right)</p>	<p>12 1PC</p>  <p>Upper Rear Leg(Right)</p>
<p>13 1PC</p>  <p>Top Panel</p>	<p>14 3PCS</p>  <p>Shelf Panel</p>	<p>15 2PCS</p>  <p>Small Connect Bar</p>

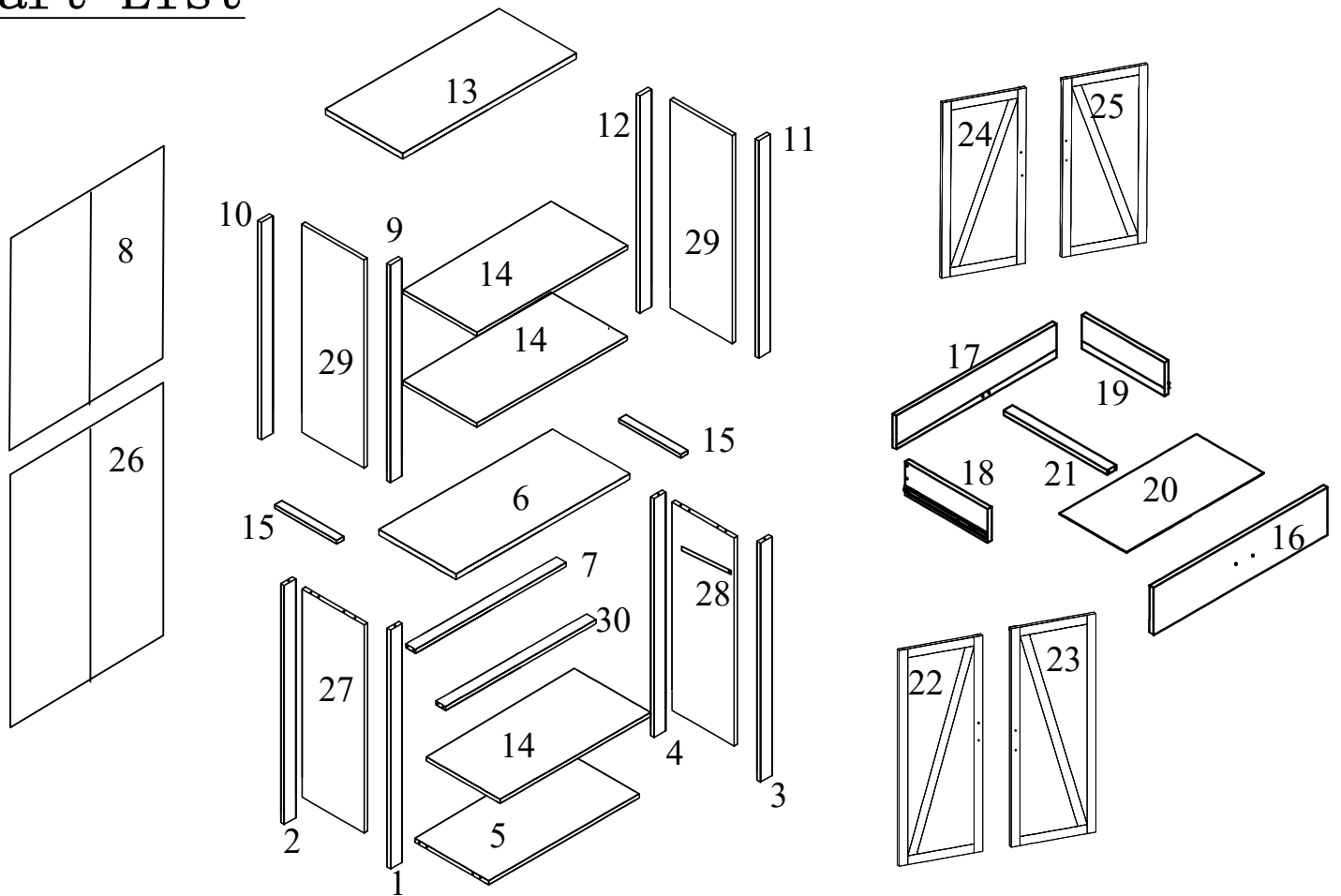
Part List

<p>16</p>  <p>Drawer Front Panel</p>	<p>1PC</p>	<p>17</p>  <p>Drawer Back Panel</p>	<p>1PC</p>	<p>18</p>  <p>Drawer Side Panel(Left)</p>	<p>1PC</p>
<p>19</p>  <p>Drawer Side Panel(Right)</p>	<p>1PC</p>	<p>20</p>  <p>Drawer Bottom Panel</p>	<p>1PC</p>	<p>21</p>  <p>Supporter Bar</p>	<p>1PC</p>
<p>22</p>  <p>Lower Door Panel(Left)</p>	<p>1PC</p>	<p>23</p>  <p>Lower Door Panel(Right)</p>	<p>1PC</p>	<p>24</p>  <p>Upper Door Panel(Left)</p>	<p>1PC</p>
<p>25</p>  <p>Upper Door Panel(Right)</p>	<p>1PC</p>	<p>26</p>  <p>Lower Back Panel</p>	<p>1PC</p>	<p>27</p>  <p>Lower Side Panel(Left)</p>	<p>1PC</p>
<p>28</p>  <p>Lower Side Panel(Right)</p>	<p>1PC</p>	<p>29</p>  <p>Upper Side Panel</p>	<p>2PCS</p>	<p>30</p>  <p>Front Connect Bar</p>	<p>1PC</p>

Hardware List

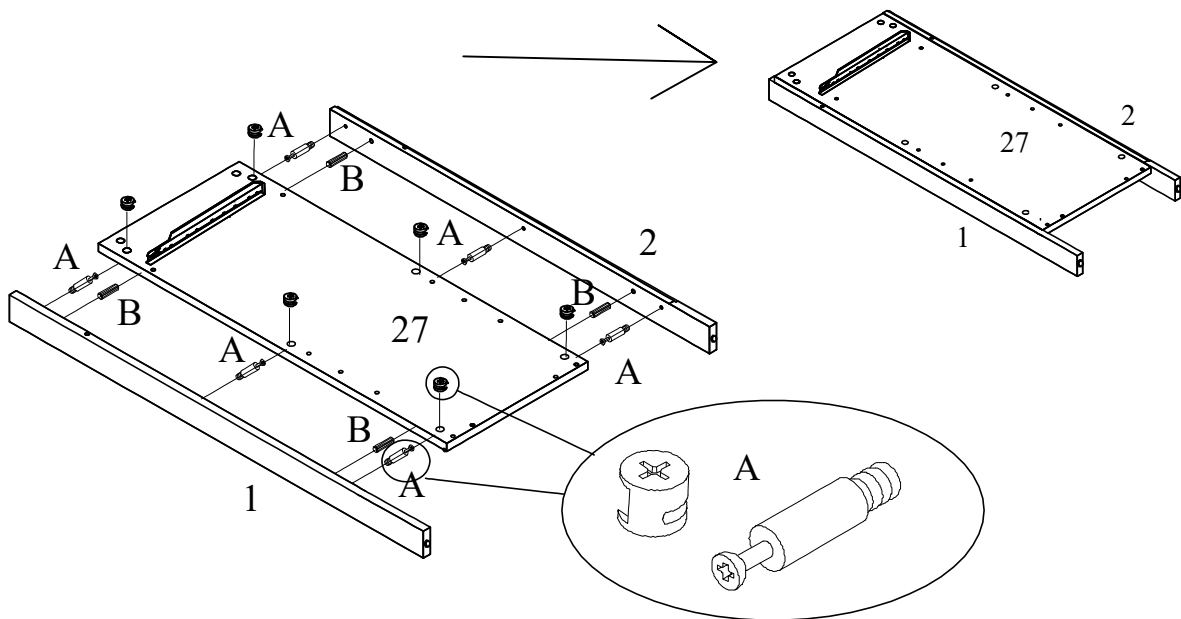
<p>A</p> <p style="text-align: right;">Quantity of 40</p>  <p>Camlock</p>	<p>B</p> <p style="text-align: right;">Quantity of 46</p>  <p>Wood Dowel</p>	<p>C</p> <p style="text-align: right;">Quantity of 28</p>  <p>Screw</p>
<p>D</p> <p style="text-align: right;">Quantity of 12</p>  <p>Shelf Supporter</p>	<p>E</p> <p style="text-align: right;">Quantity of 2</p>  <p>Magnet with Screw</p>	<p>F</p> <p style="text-align: right;">Quantity of 4</p>  <p>Bolt</p>
<p>G</p> <p style="text-align: right;">Quantity of 5</p>  <p>Handle with Bolt</p>	<p>H</p> <p style="text-align: right;">Quantity of 9</p>  <p>Screw</p>	<p>I</p> <p style="text-align: right;">Quantity of 8</p>  <p>Door Pin</p>
<p>J</p> <p style="text-align: right;">Quantity of 1</p>  <p>Anchor with Screw</p>	<p>K</p> <p style="text-align: right;">Quantity of 1</p>  <p>Anti-tip kit</p>	<p>L</p> <p style="text-align: right;">Quantity of 5</p>  <p>Camlock</p>

Part List



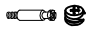

Step 1

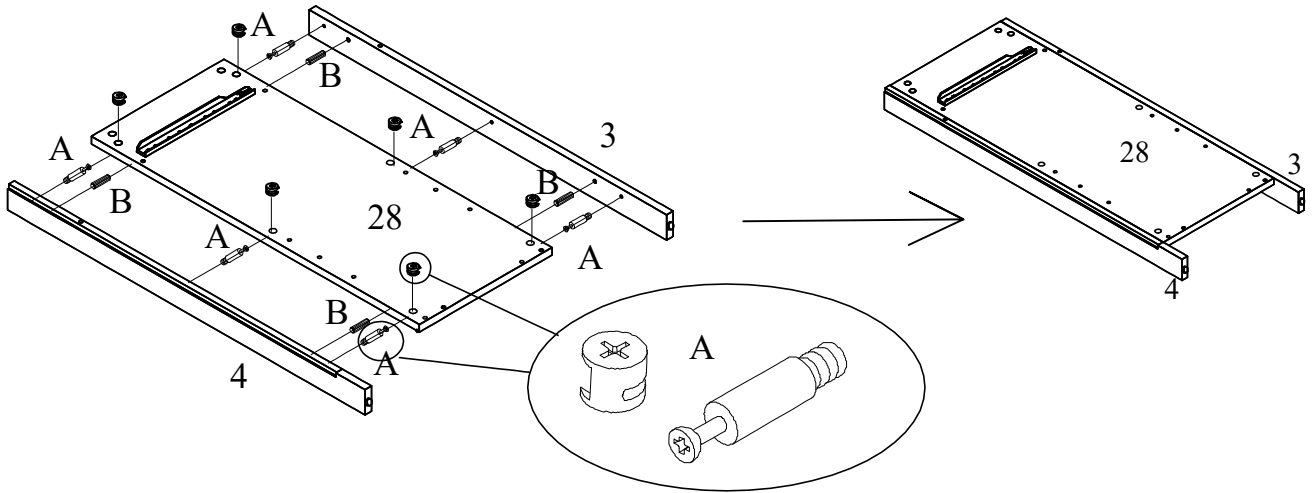
- | | | |
|-----|--|-------|
| A : | | 6SETS |
| B : | | 4PCS |



Assemble Lower Legs (1 & 2) to Lower Side Panel (27) using Cam-Locks (A) and Wood Dowels (B) as shown above.

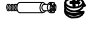


Setp 2

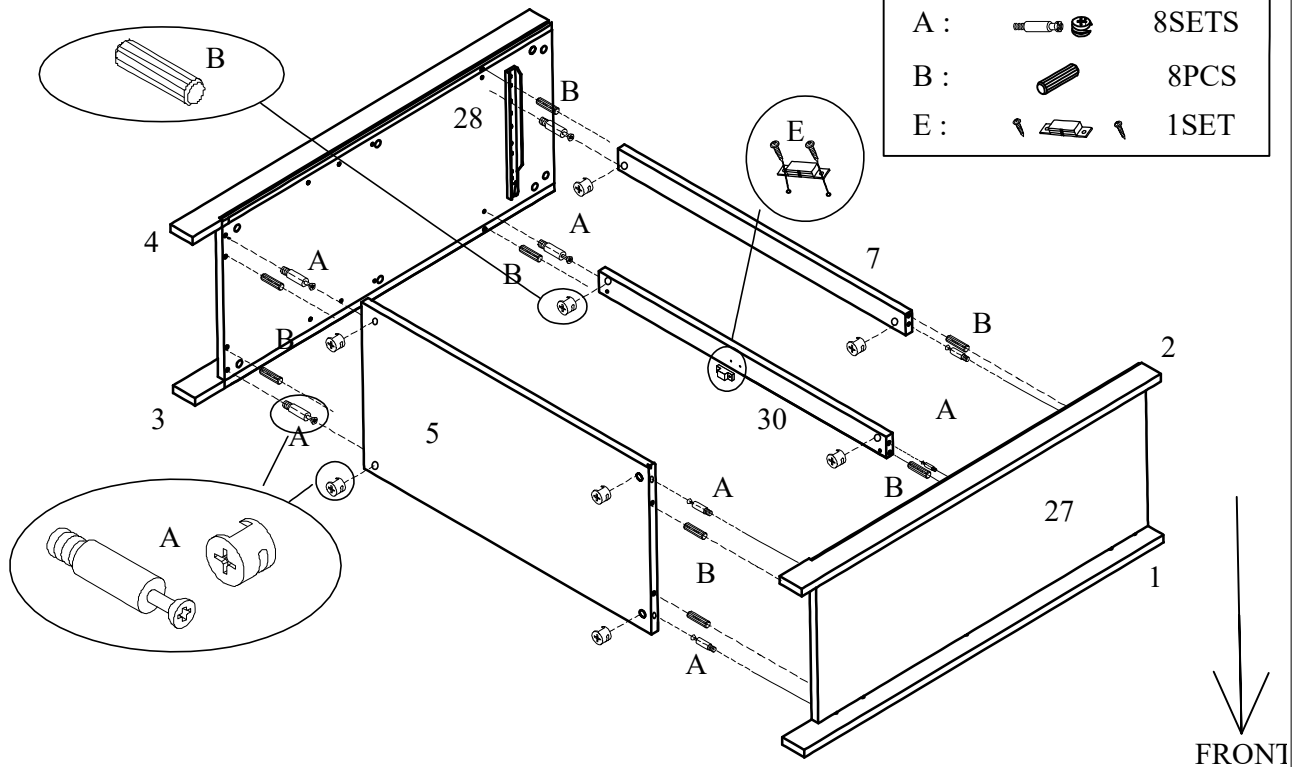
A :		6SETS
B :		4PCS



Assemble Lower Legs (3 & 4) to Lower Side Panel (28) using Cam-Locks (A) and Wood Dowels (B) as shown above.

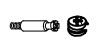

Setp 3

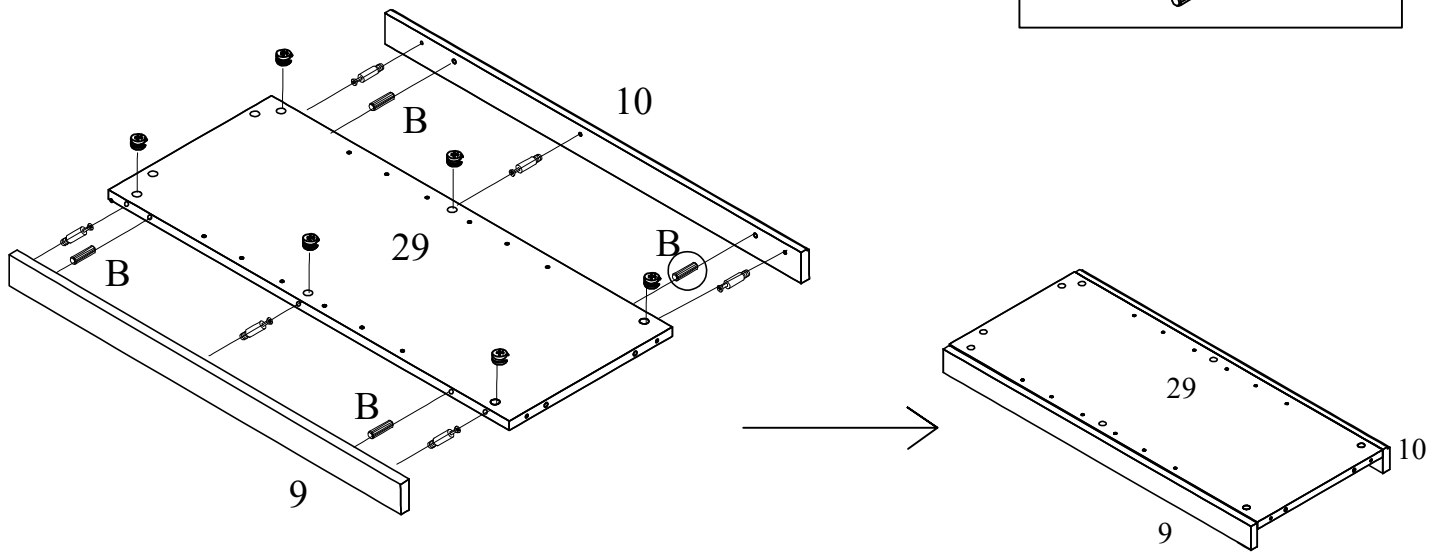
A :		8SETS
B :		8PCS
E :		1SET



Attach Magnet (E) to Front Connect Bars (30) using included Screws, holes are pre-drilled .
Then attach Lower Legs (1 & 2 & 3 & 4) and Lower Side Panels (27 & 28) to Connect Bars (7 & 30)
And Lower Bottom Panel (5) using Cam-Locks (A) and Wood Dowels (B) as shown above.

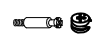

Setp 4

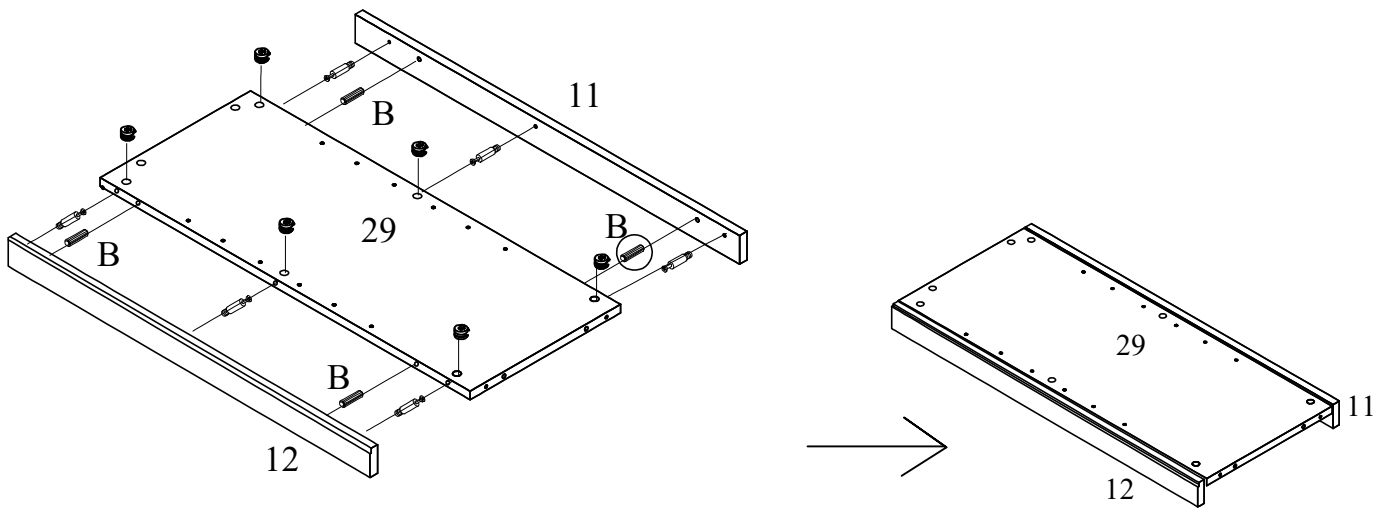
A :		6SETS
B :		4PCS



Assemble Upper Legs (9 & 10) to Upper Side Panel (29) using Cam-Locks (A) and Wood Dowels (B) as shown above.

Setp 5

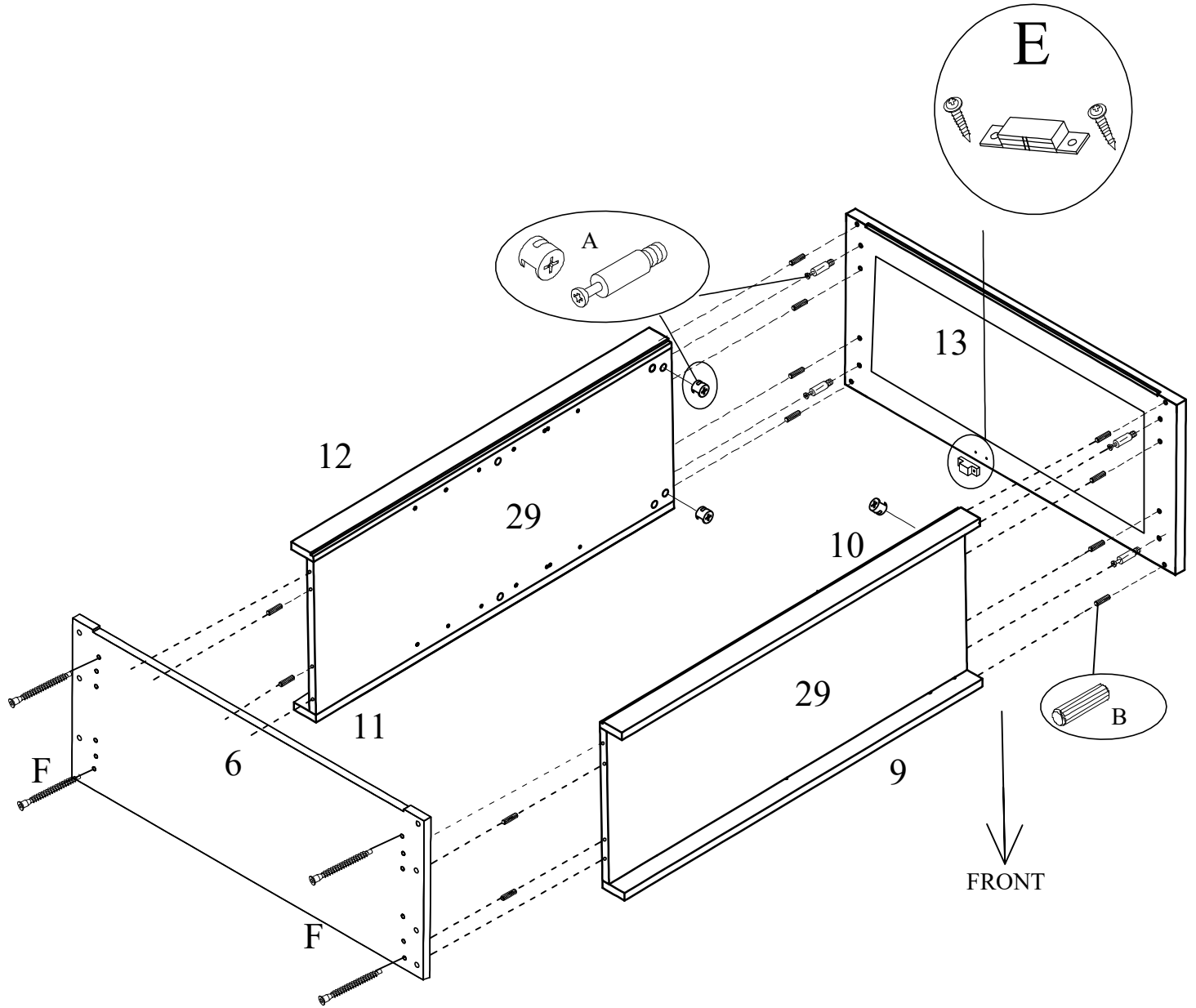
A :		6SETS
B :		4PCS





Assemble Upper Legs (11 & 12) to Upper Side Panel (29) using Cam-Locks (A) and Wood Dowels (B) as shown above.

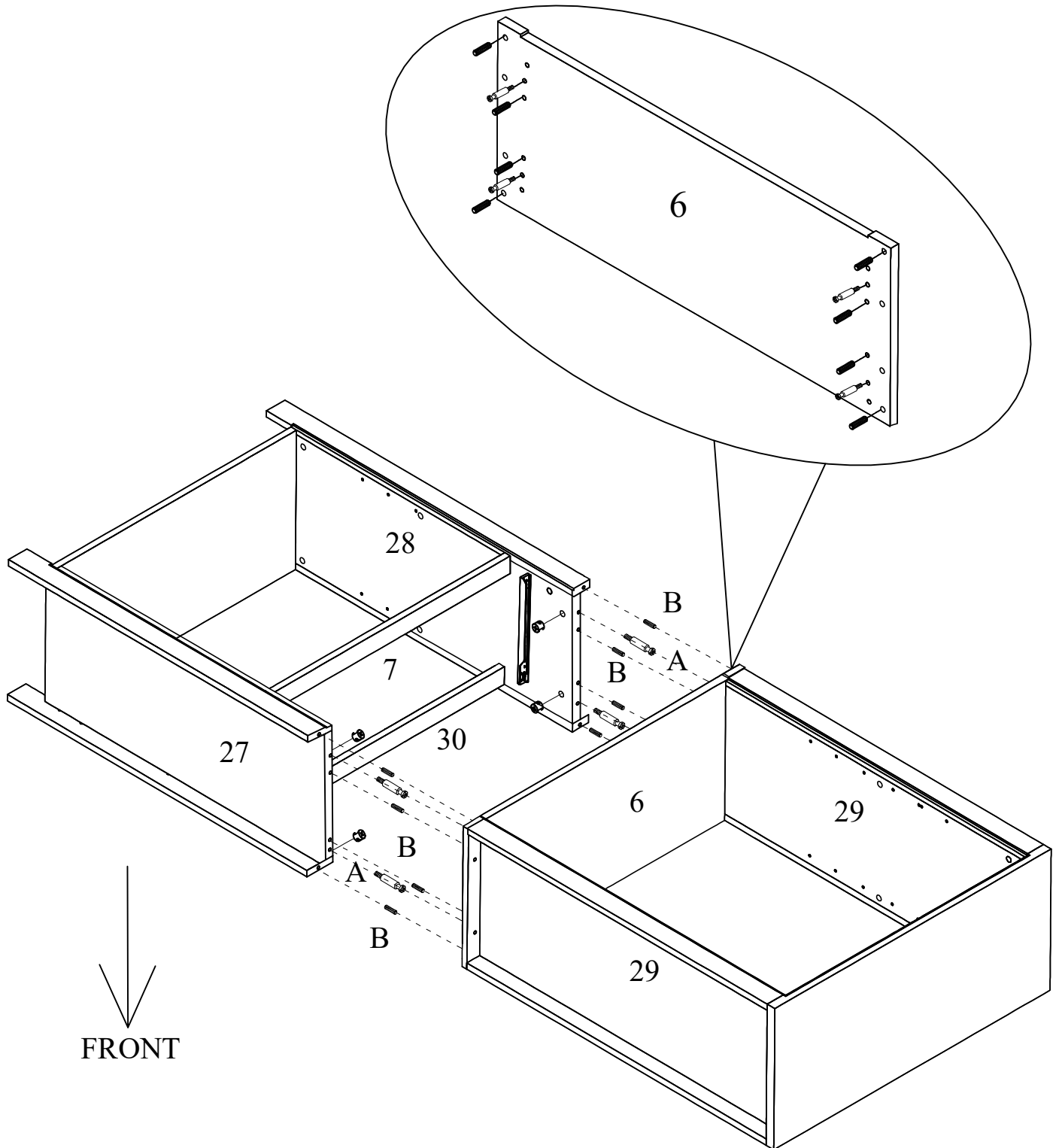
Step 6

A :		4SETS
B :		12PCS
E :		1SET
F :		4PCS



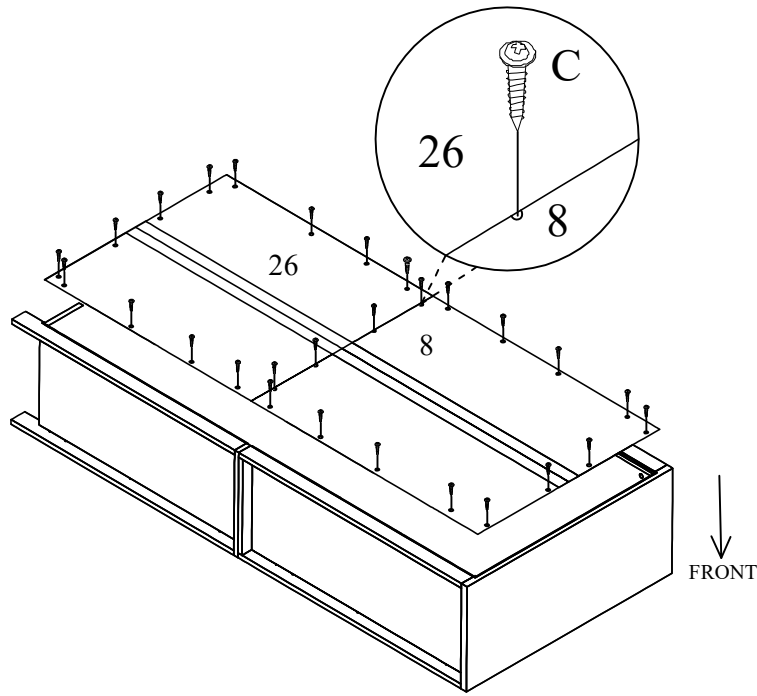
Attach Magnet (E) to the Top Panel (13) using included Screws, holes are pre-drilled .
Then attach Top Panel (13) and Upper Bottom Panel (6) to Upper Legs (9 & 10 & 11 & 12) and Upper Side Panels (29) using Bolts (F), Cam-Locks (A) and Wood Dowels (B) as shown above.

A :		4SETS
B :		8PCS



Attach Upper Bottom Panel (6) to Lower Legs (1 & 2 & 3 & 4) and Lower Side Panels (27 & 28) using Cam-Locks (A) and Wood Dowels (B) as shown above.

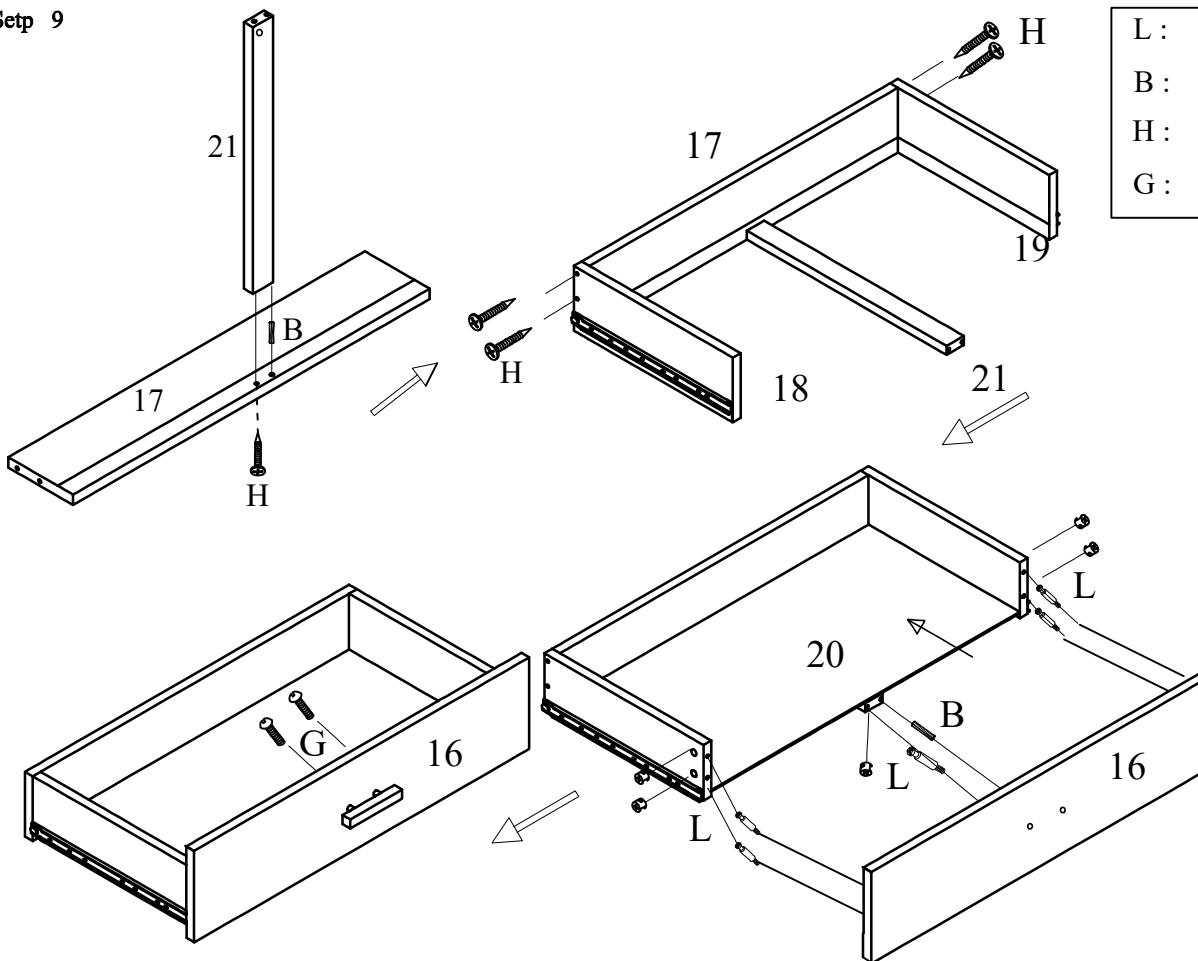
Setp 8

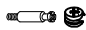





C :  28PCS

Assemble Back Panels (8 & 26) to the back of this unit using Screws (C) as shown above.

Setp 9



L :  5SETS
 B :  2PCS
 H :  5PCS
 G :  1SET

Assemble Supporter Bar (21) to Drawer Back Panel (17) using Screws (H) and Wood Dowels (B).

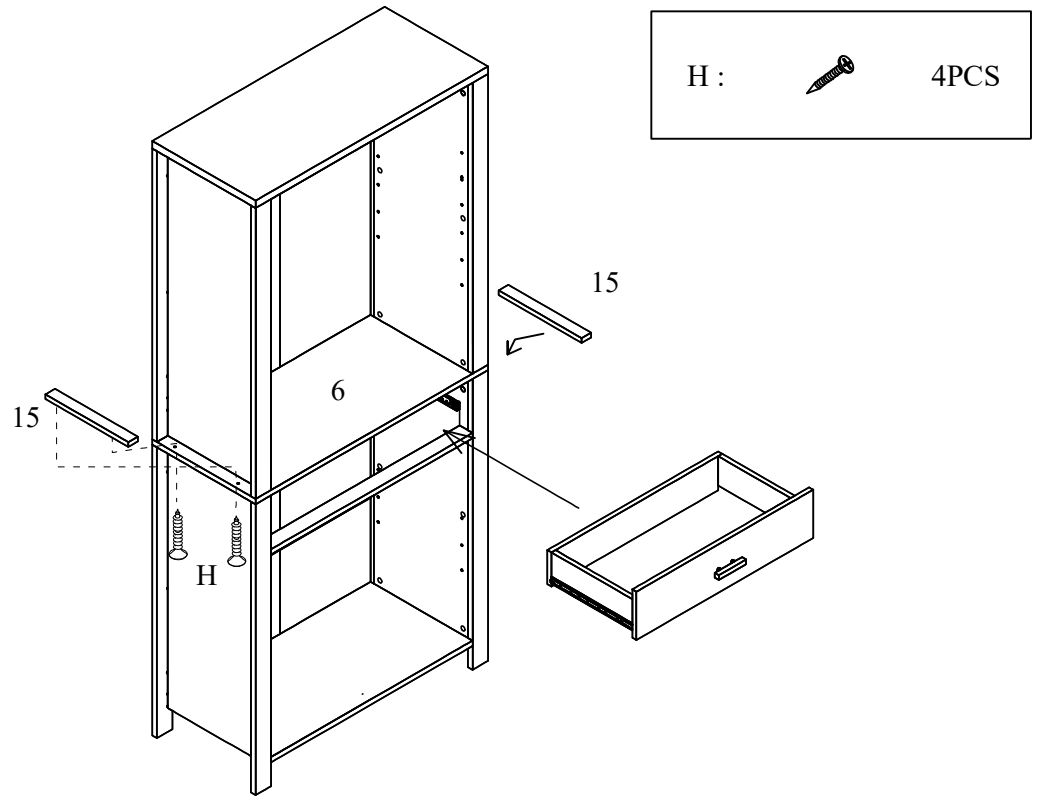
Assemble Drawer Side Panels (18 & 19) to Drawer Back Panel (17) using Screws (H).

Insert Drawer Bottom Panel (20) into the grooves on Drawer Side Panels (18 & 19) and Drawer Back Panel (17).

Attach Drawer Front Panel (16) to Drawer Side Panels (18 & 19) and Supporter Bar (21) using Cam-Locks (L) and Wood Dowels (B).

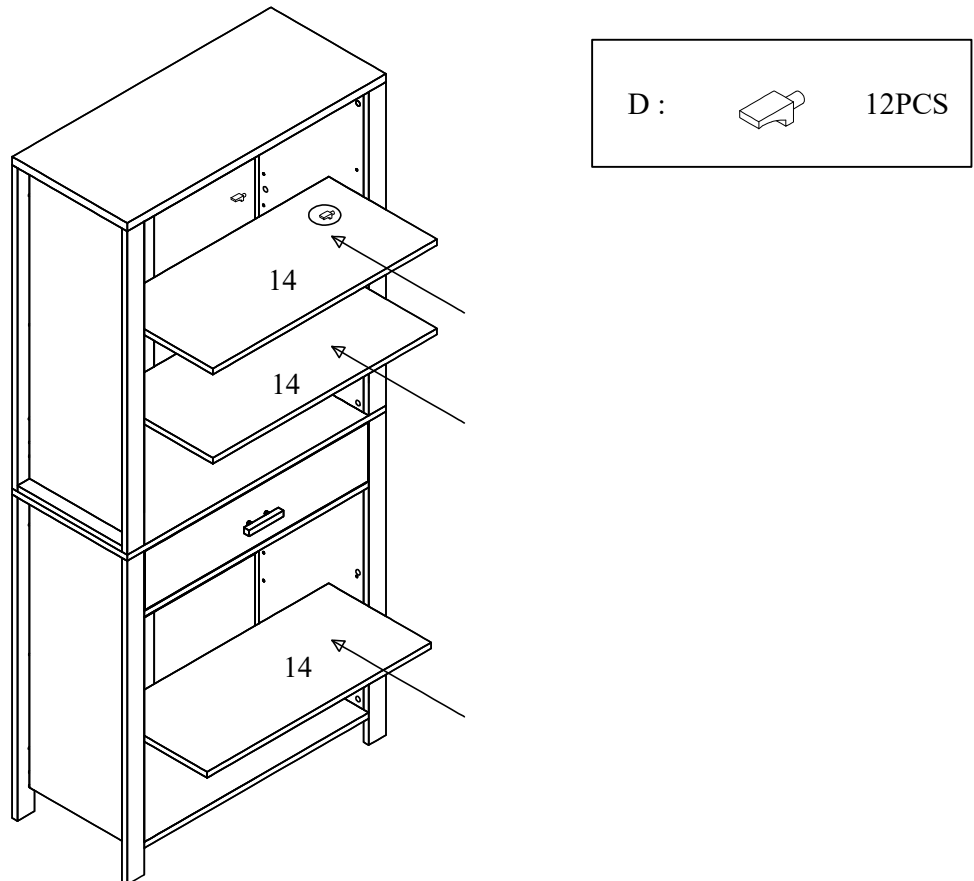
Attach Drawer Handle (G) to Drawer Front Panel (16) using Included bolts.

Setp 10



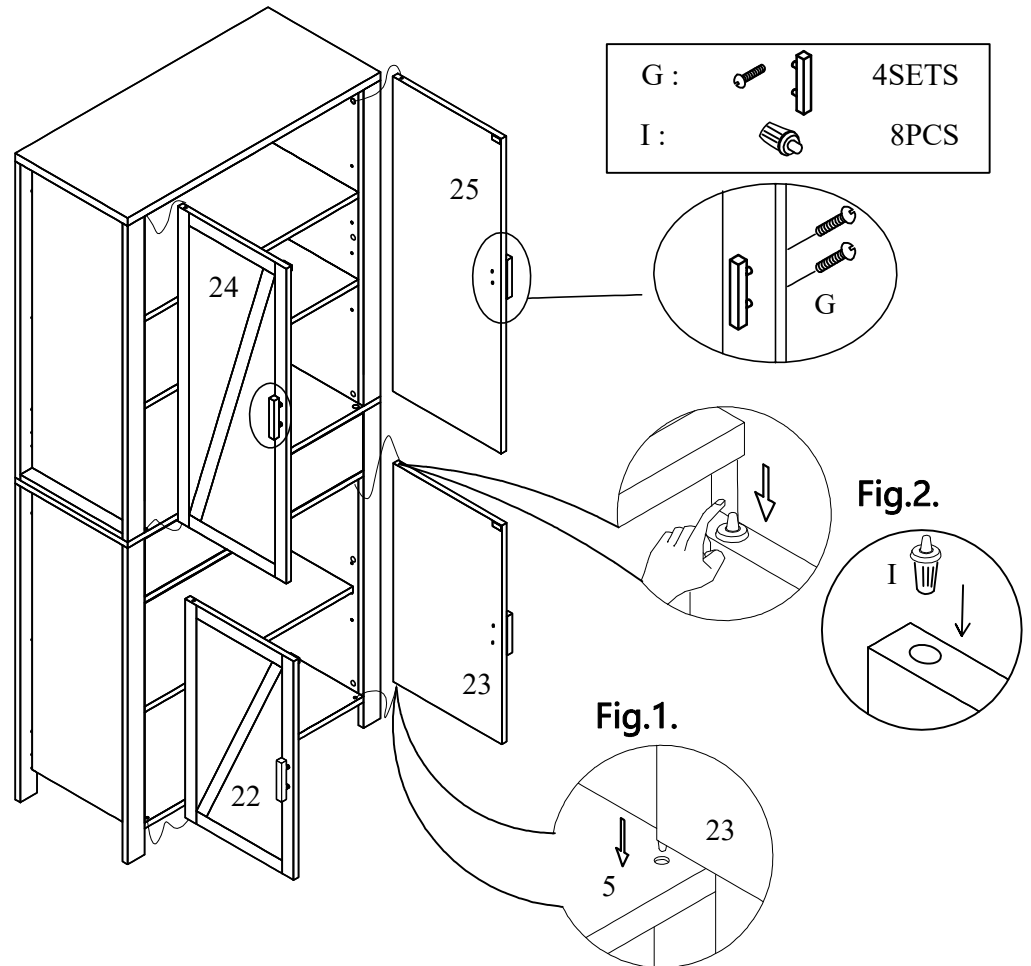
Assemble Small Connect Bars (15) to Upper Bottom Panel (6) using Screws(H).
Insert Drawer into the side table as shown above.

Setp 11



Insert the Shelf Supporters (D) into the holes of the Side Panels (27 & 28 & 29) , then put the Shelf Panels (14) onto the Shelf Supporters (D).

Setp 12

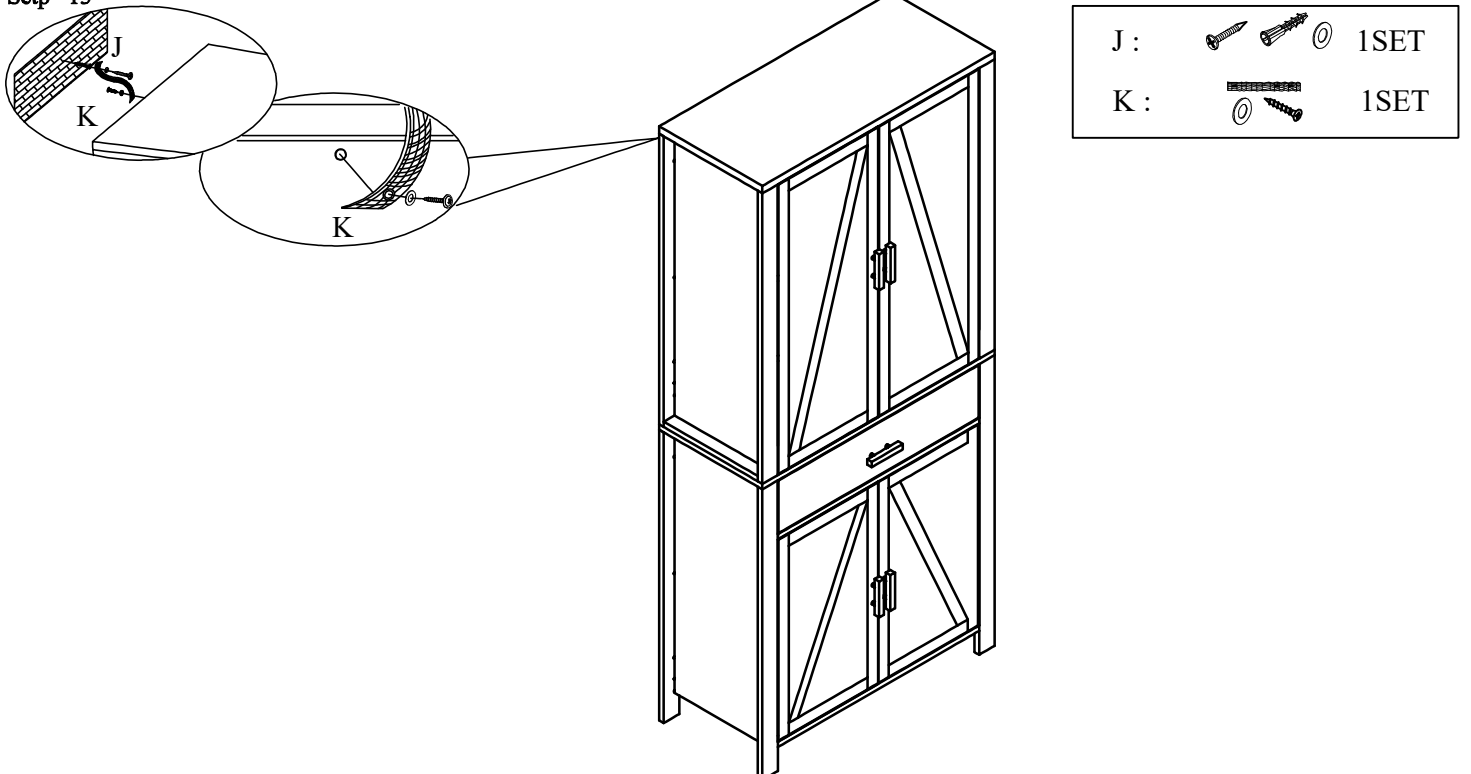


Insert Door Pins (I) into the hole on the two ends of Door Panel (23). Then attach Door Handle (G) to Door Panel (23) using included bolts.

Connect Door Panel (23) to Bottom Panel (5), refer to Fig.1. Then press down Door Pin (I) (see Fig.2.) and hold the Door Panel carefully into the cabinet with the upper pin popping up into the hole of Upper Bottom Panel (6).

Repeat above steps to assemble Door Panels (22 & 24 & 25).

Setp 13



Attach Anti-tip Kit (K) nylon strap to the Upper Back Panel (8), then attach the other end of the nylon strap to the wall using Anchor and Screw (J) as shown above.