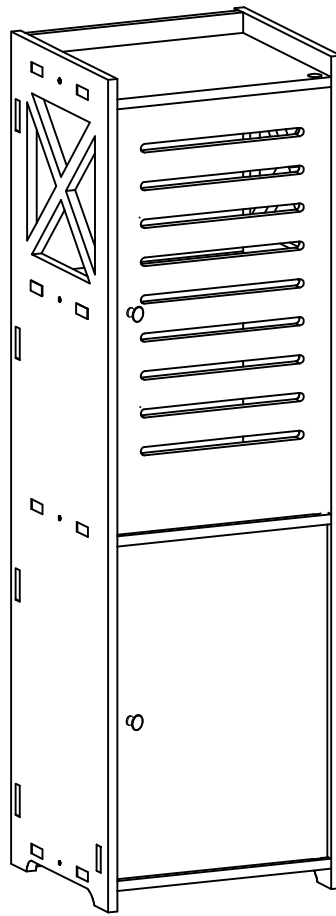


# ASSEMBLY INSTRUCTIONS

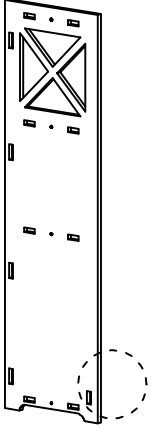
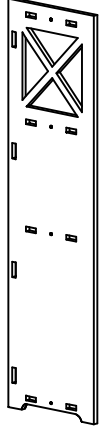
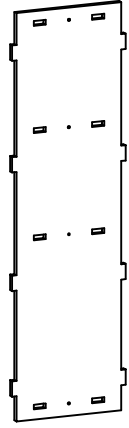

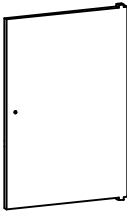
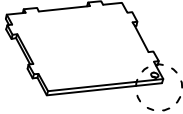
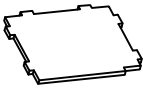

Style # BM22-WH Bathroom Cabinet






## NOTE TO CUSTOMERS:

- For ease and speed of assembly we recommend that before you commence each step of the assembly that you identify all the parts required to complete that step.
- We recommend that where possible you allow sufficient space to assemble the item as close as possible to the place where it will be once assembled.
- For the protection of your furniture we recommend that the product is placed on protected surfaces during assembly to prevent any damage.
- During assembly do not over tighten, as this may damage the product.
- Please ensure you retain all the product packaging until the item completely assembled.
- Please periodically check all fittings and re-tighten as necessary.
- This product requires assembly by an adult because of the small parts. Care should be taken in unpacking and assembling this item to keep the small parts away from children.

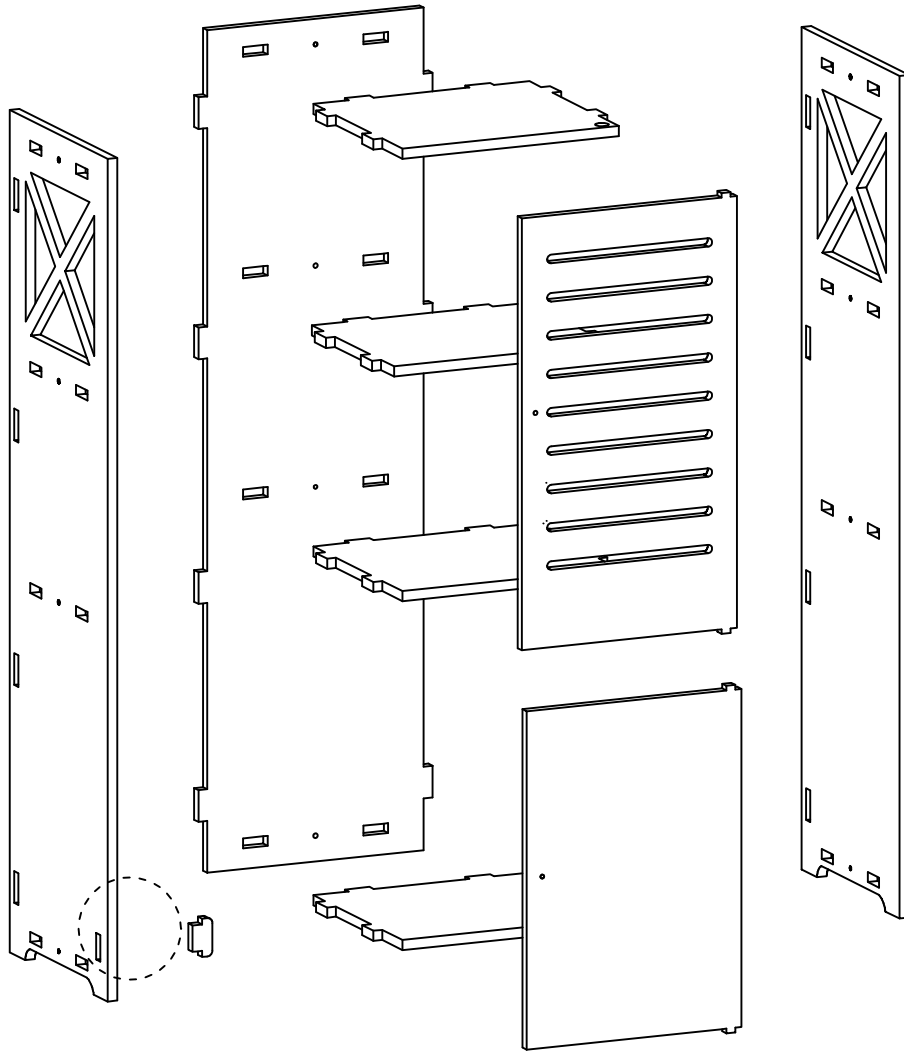
# Part List

<p>Quantity of 1</p>  <p>Left Side Panel</p>	<p>Quantity of 1</p>  <p>Right Side Panel</p>	<p>Quantity of 1</p>  <p>Back Panel</p>	<p>Quantity of 1</p>  <p>Upper Door</p>
<p>Quantity of 1</p>  <p>Lower Door</p>	<p>Quantity of 3</p>  <p>Shelf</p>	<p>Quantity of 1</p>  <p>The Second Shelf</p>	
<p>Quantity of 1</p>  <p>Stopper</p>			

# Hardware List

<p>Quantity of 12</p>  <p>Screw</p>	<p>Quantity of 12</p>  <p>PVC cap for exposed screw head</p>	<p>Quantity of 2</p>  <p>Door Knob</p>
--	---	---

# Part List



## **WARNING**

INJURIES CAN OCCUR FROM FURNITURE TIP-OVER. TO HELP PREVENT TIP-OVER:

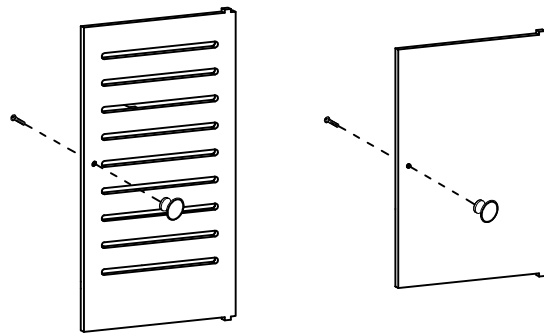
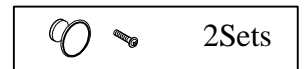
- Do not place heavy objects on the top of the table.
- Never allow children to climb on to the furniture.

## **NOTE :**

- This product is made of plastic wood, please do not use force when assembling in order to avoid damage.
- Maximum weight capacity of the top & bottom shelf are 2.2 lbs, maximum weight capacity of the middle shelves are 1.1 lbs.
- Clean with damp cloth and non abrasive cleaning chemicals.

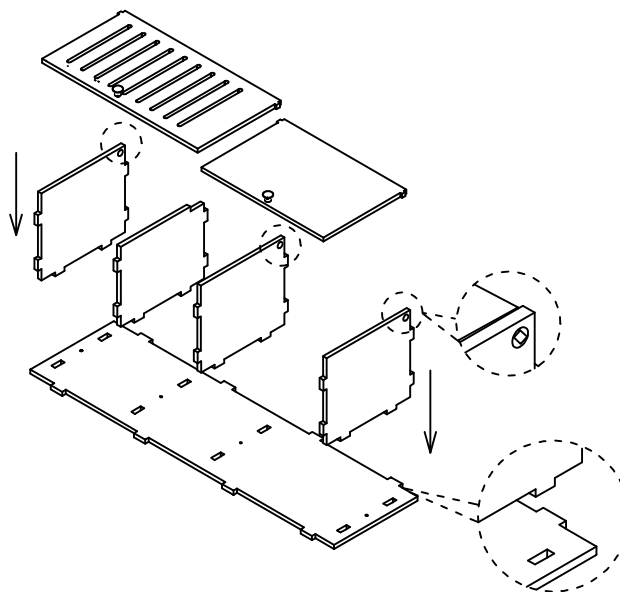
# Assembly instructions

## Step 1:



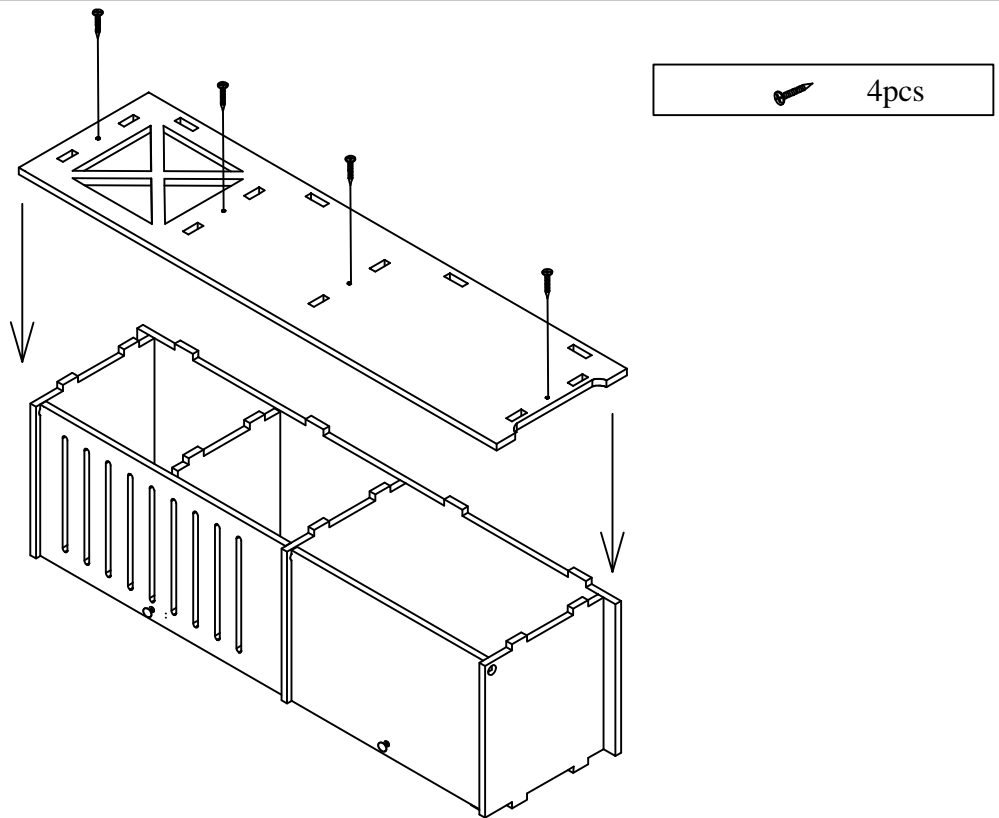
Attach the door knobs to doors using provided screws as shown above.

## Step 2:



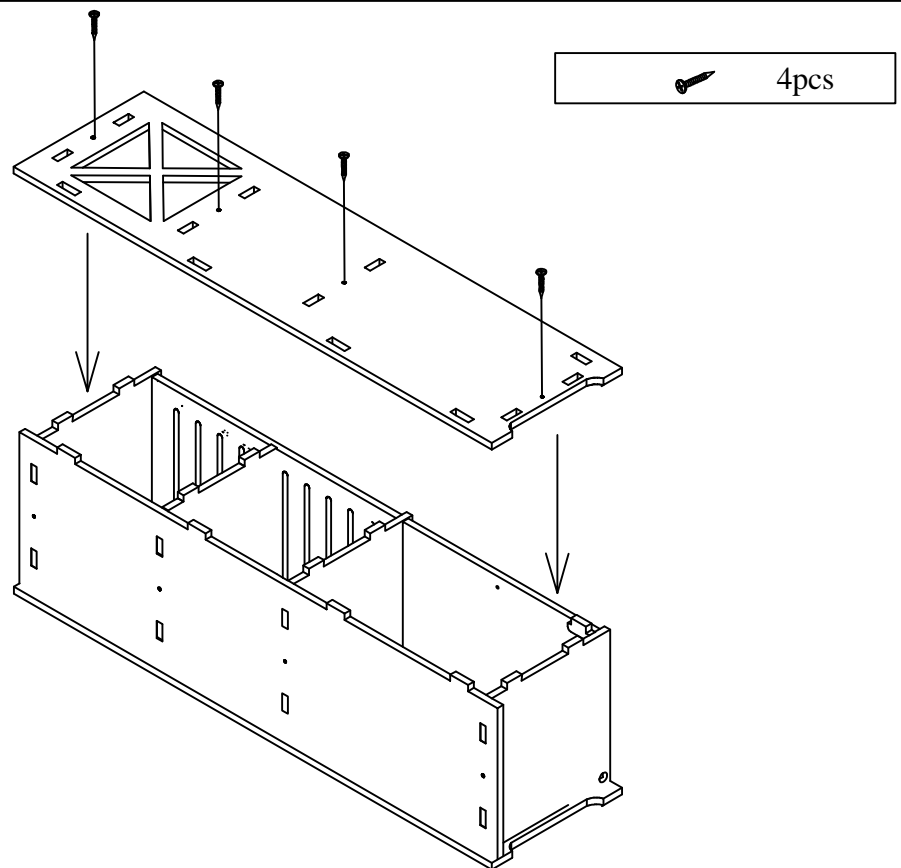
Attach the shelves to the back panel, by inserting them into the pre-drilled slats. Then attach the doors to the shelves, by inserting them into the pre-drilled slats as shown above.

### Step 3:



Attach the shelves and back panel to the right side panel, by inserting them into the pre-drilled slats as shown above. Then tighten the side panel with provided screws into pre-drilled holes to secure unit as shown above.

### Step 4:

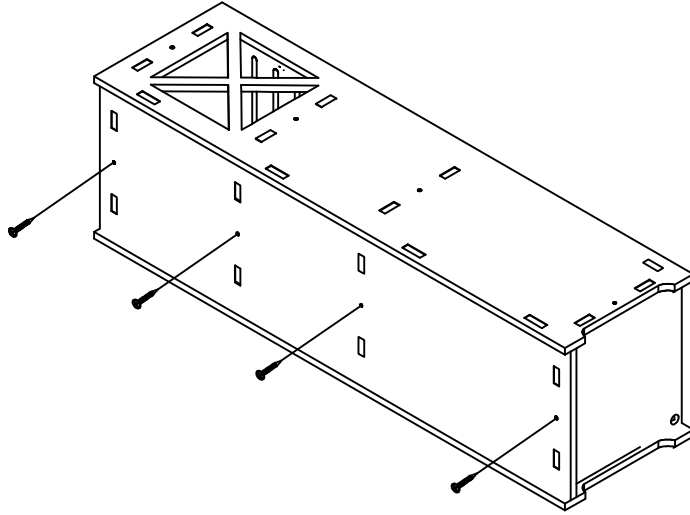


Attach the shelves and back panel to the left side panel, by inserting them into the pre-drilled slats as shown above. Then tighten the side panel with provided screws into pre-drilled holes to secure unit as shown above.

## Step 5:

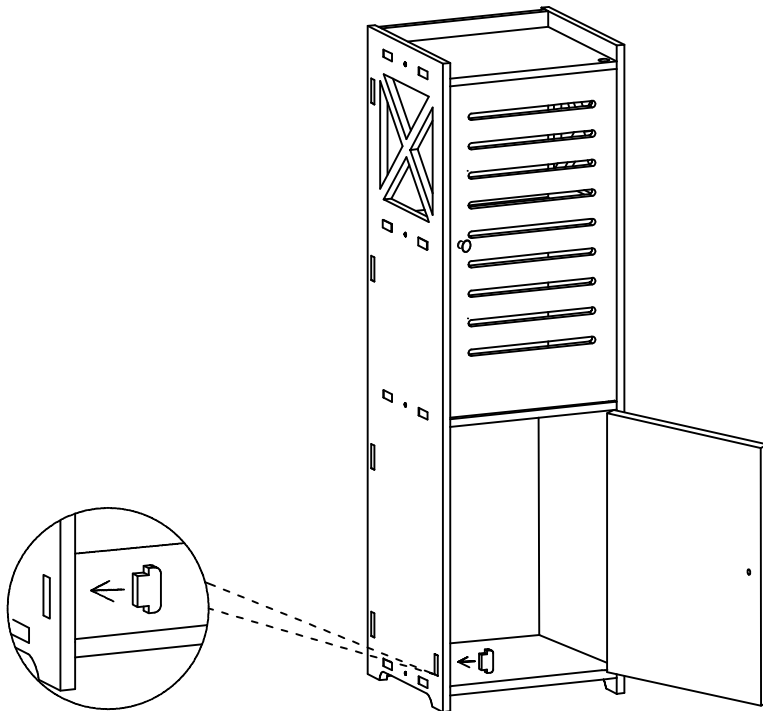


4pcs



Insert and tighten the back panel with provided screws into pre-drilled holes to secure unit, as shown above.

## Step 6:



Insert the door stopper into holes on the left side panel as shown above.