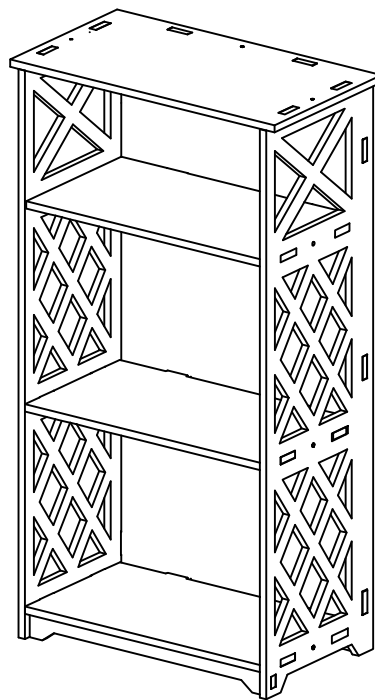


ASSEMBLY INSTRUCTIONS


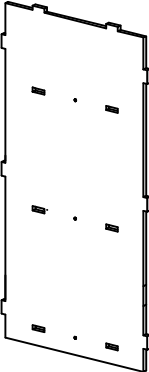
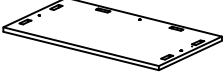

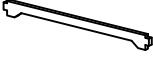
Style # BM19-WH Storage Shelf





NOTE TO CUSTOMERS:

- For ease and speed of assembly we recommend that before you commence each step of the assembly that you identify all the parts required to complete that step.
- We recommend that where possible you allow sufficient space to assemble the item as close as possible to the place where it will be once assembled.
- For the protection of your furniture we recommend that the product is placed on protected surfaces during assembly to prevent any damage.
- During assembly do not over tighten, as this may damage the product.
- Please ensure you retain all the product packaging until the item completely assembled.
- Please periodically check all fittings and re-tighten as necessary.
- This product requires assembly by an adult because of the small parts. Care should be taken in unpacking and assembling this item to keep the small parts away from children.

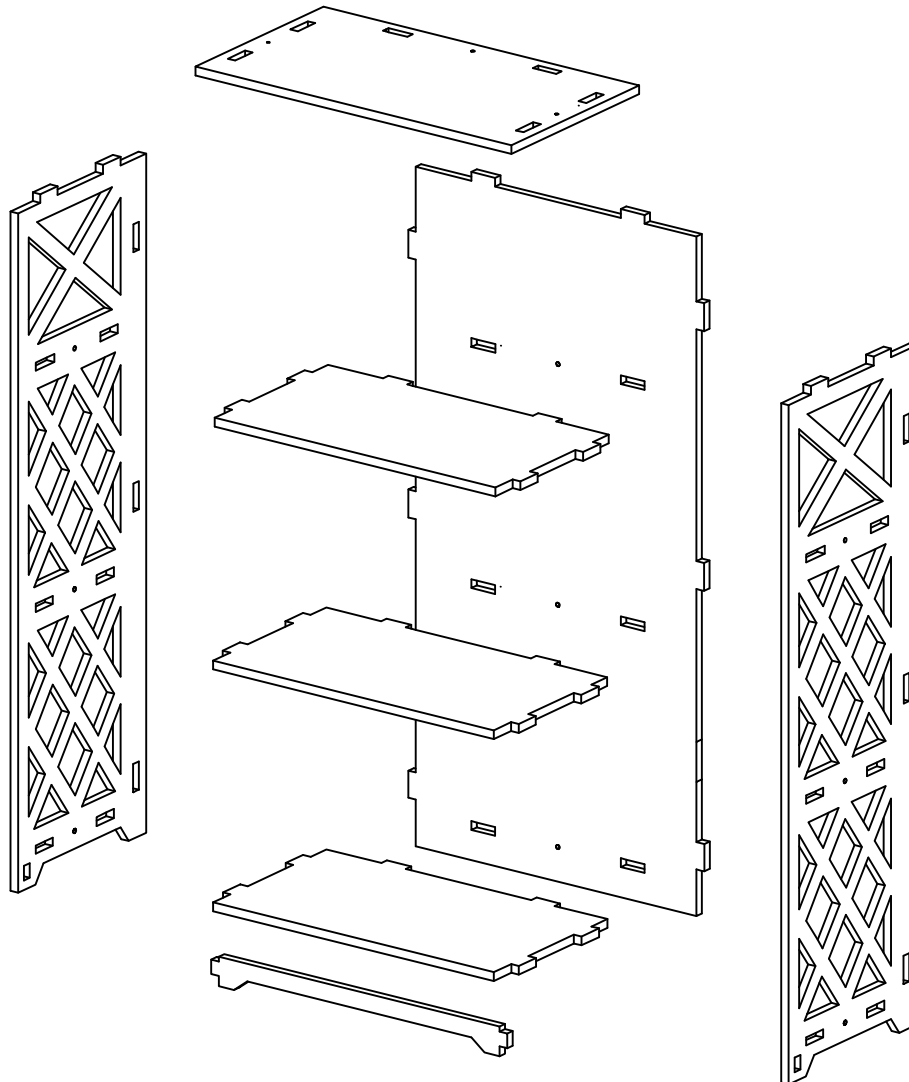
Part List

<p>Quantity of 2</p> <div style="text-align: center; margin: 20px 0;">  </div> <p>Side Panel</p>	<p>Quantity of 1</p> <div style="text-align: center; margin: 20px 0;">  </div> <p>Back Panel</p>	<p>Quantity of 1</p> <div style="text-align: center; margin: 20px 0;">  </div> <p>Top Panel</p>
<p>Quantity of 3</p> <div style="text-align: center; margin: 20px 0;">  </div> <p>Shelf Panel</p>	<p>Quantity of 1</p> <div style="text-align: center; margin: 20px 0;">  </div> <p>Apron</p>	

Hardware List

<p>Quantity of 12</p> <div style="text-align: center; margin: 20px 0;">  </div> <p>Screw</p>	<p>Quantity of 12</p> <div style="text-align: center; margin: 20px 0;">  </div> <p>PVC cap for exposed screw head</p>
---	--

Part List



WARNING

INJURIES CAN OCCUR FROM FURNITURE TIP-OVER. TO HELP PREVENT TIP-OVER:

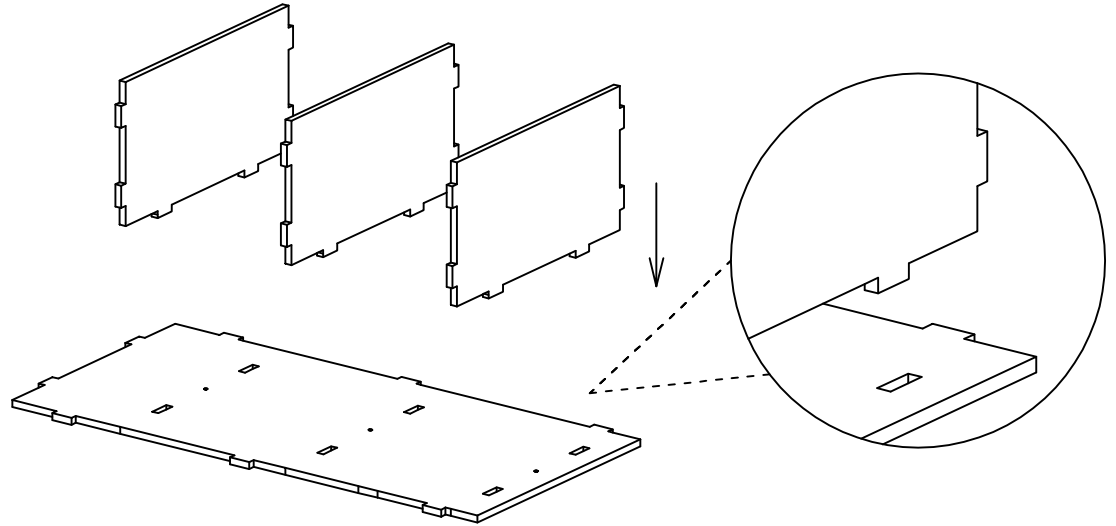
- Do not place heavy objects on the top of the table.
- Never allow children to climb on to the furniture.

NOTE :

- This product is made of plastic wood, please do not use force when assembling in order to avoid damage.
- Each shelf maximum weight capacity is 5 lbs.
- Clean with damp cloth and non abrasive cleaning chemicals.

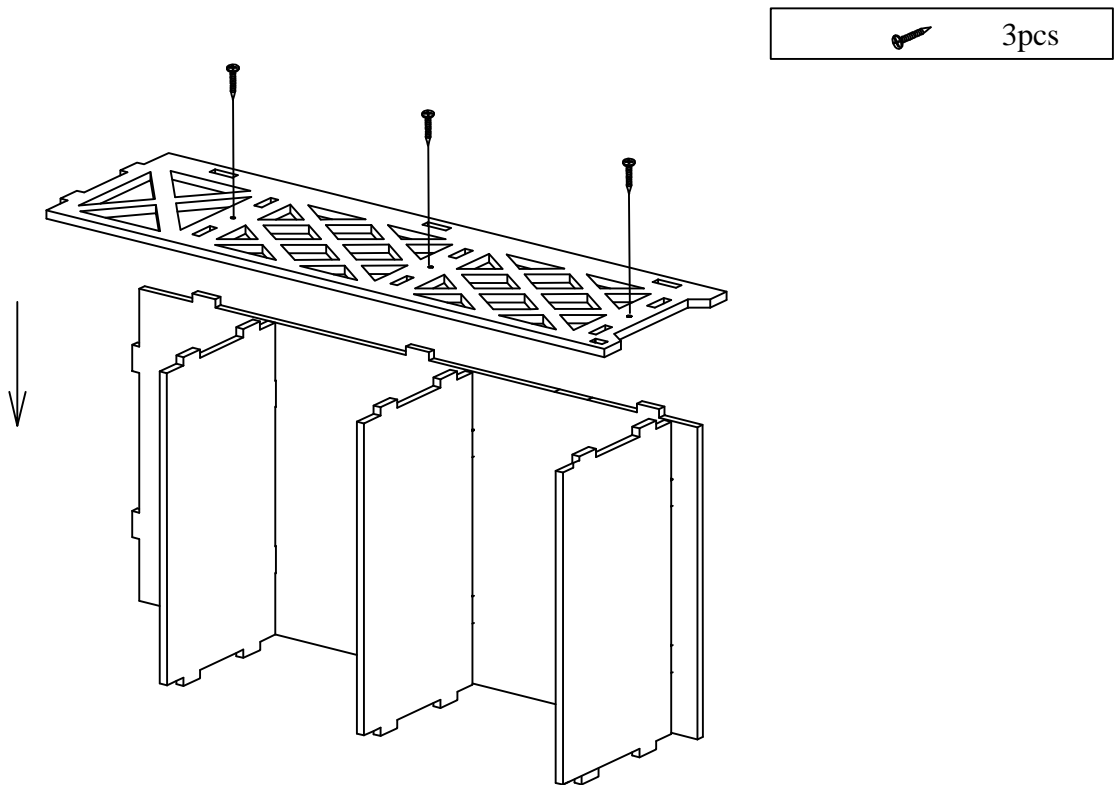
Assembly instructions

Step 1:



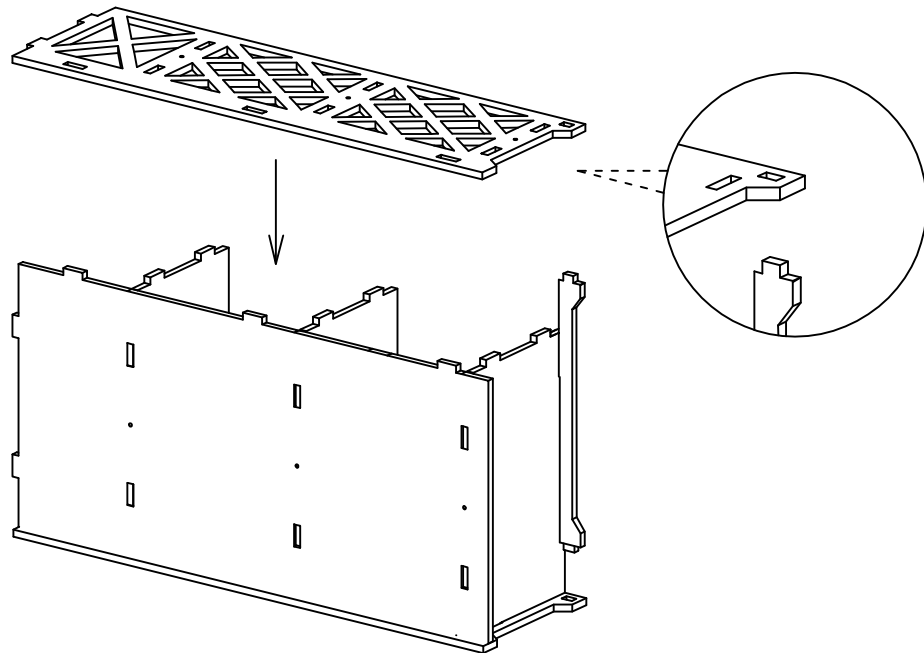
Attach the shelves to the back panel, by inserting them into the pre-drilled slats as shown above.

Step 2:



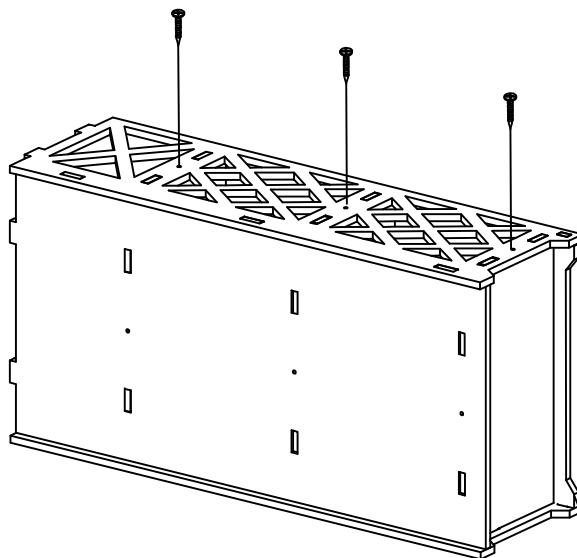
Attach the shelves and back panel to the side panel, by inserting them into the pre-drilled slats as shown above. Then tighten the side panel with provided screws into pre-drilled holes to secure unit as shown above.

Step 3:



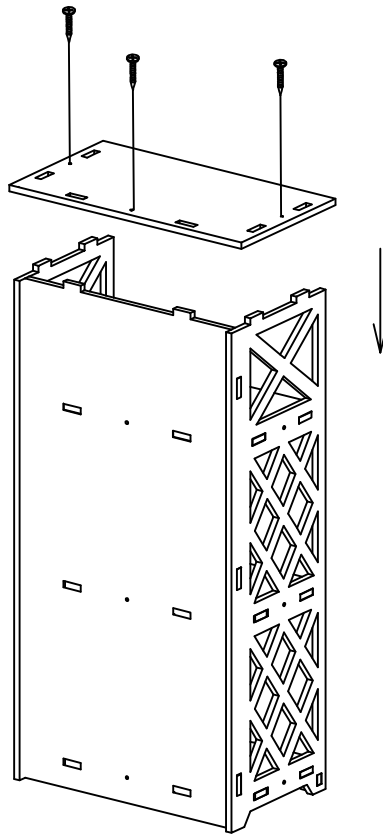
Attach the shelves and apron & back panel to the other side panel, by inserting them into the pre-drilled slats as shown above.

Step 4:



Insert and tighten the side panel with provided screws into pre-drilled holes to secure unit, as shown above.

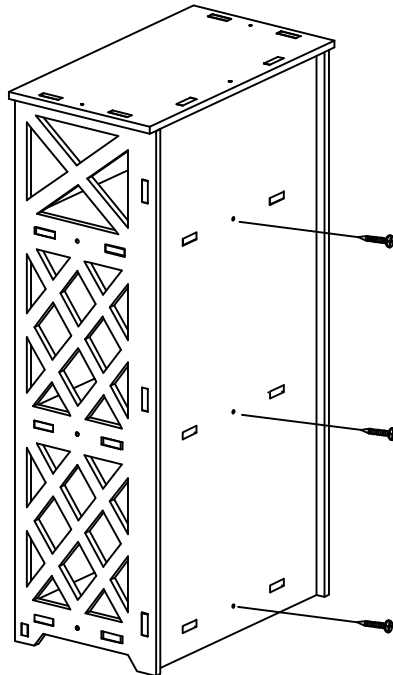
Step 5:



 3pcs

Attach the top panel to the side panels and back panel, by inserting them into the pre-drilled slats, then tighten the top panel with provided screws into pre-drilled holes to secure unit, as shown above.

Step 6:



 3pcs

Insert and tighten back panel with provided screws into pre-drilled holes to secure unit, as shown above.