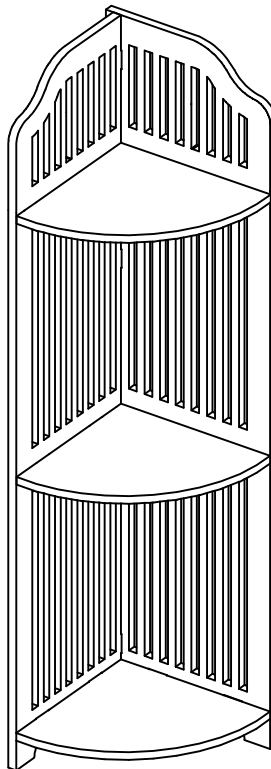


# ASSEMBLY INSTRUCTIONS




## Style # BM17-WH Corner Storage Shelf





### NOTE TO CUSTOMERS:

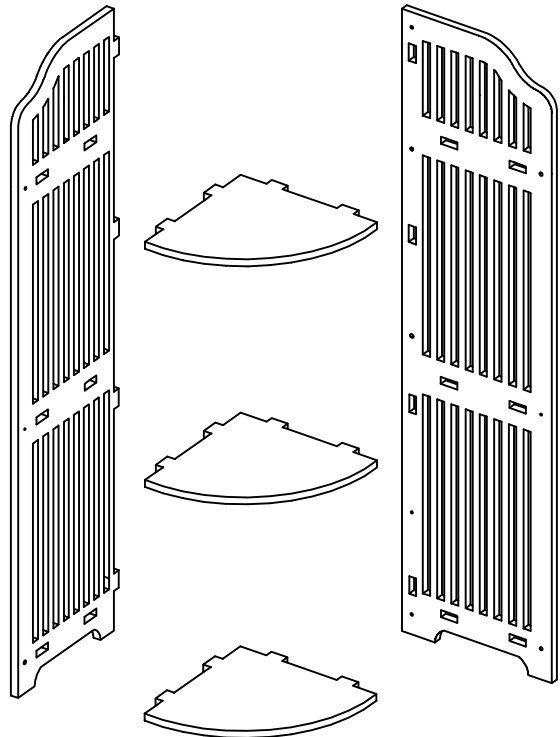
- For ease and speed of assembly we recommend that before you commence each step of the assembly that you identify all the parts required to complete that step.
- We recommend that where possible you allow sufficient space to assemble the item as close as possible to the place where it will be once assembled.
- For the protection of your furniture we recommend that the product is placed on protected surfaces during assembly to prevent any damage.
- During assembly do not over tighten, as this may damage the product.
- Please ensure you retain all the product packaging until the item completely assembled.
- Please periodically check all fittings and re-tighten as necessary.
- This product requires assembly by an adult because of the small parts. Care should be taken in unpacking and assembling this item to keep the small parts away from children.

# Part List

<p>Quantity of 1</p>  <p>Left Side Panel</p>	<p>Quantity of 1</p>  <p>Right Side Panel</p>	<p>Quantity of 3</p>  <p>Shelf Panel</p>
---	--	---

## Hardware List

<p>Quantity of 11</p>  <p>Screw</p>
<p>Quantity of 11</p>  <p>PVC cap for exposed screw head</p>



### **WARNING**

INJURIES CAN OCCUR FROM FURNITURE TIP-OVER. TO HELP PREVENT TIP-OVER:

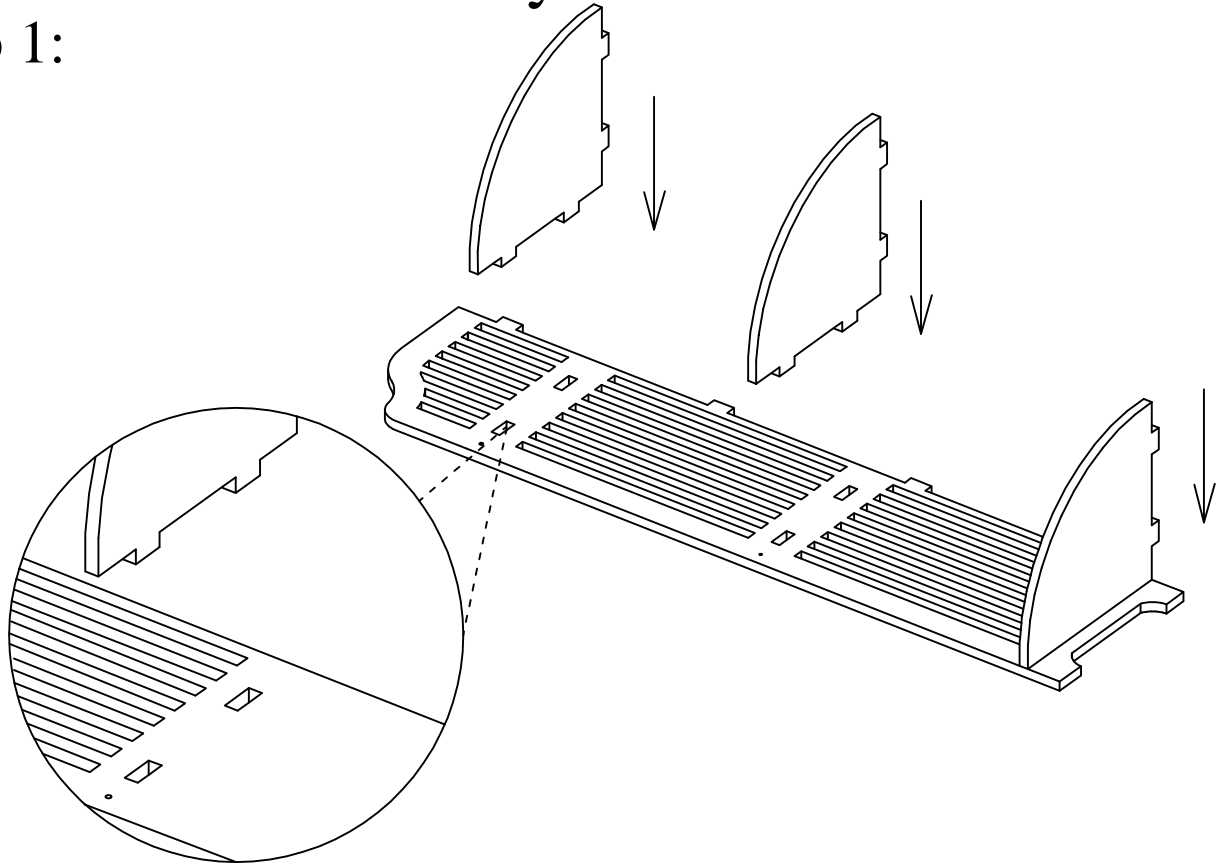
- Do not place heavy objects on the top of the table.
- Never allow children to climb on to the furniture.

### **NOTE :**

- This product is made of plastic wood, please do not use force when assembling in order to avoid damage.
- Each shelf maximum weight capacity is 3 lbs.
- Clean with damp cloth and non abrasive cleaning chemicals.

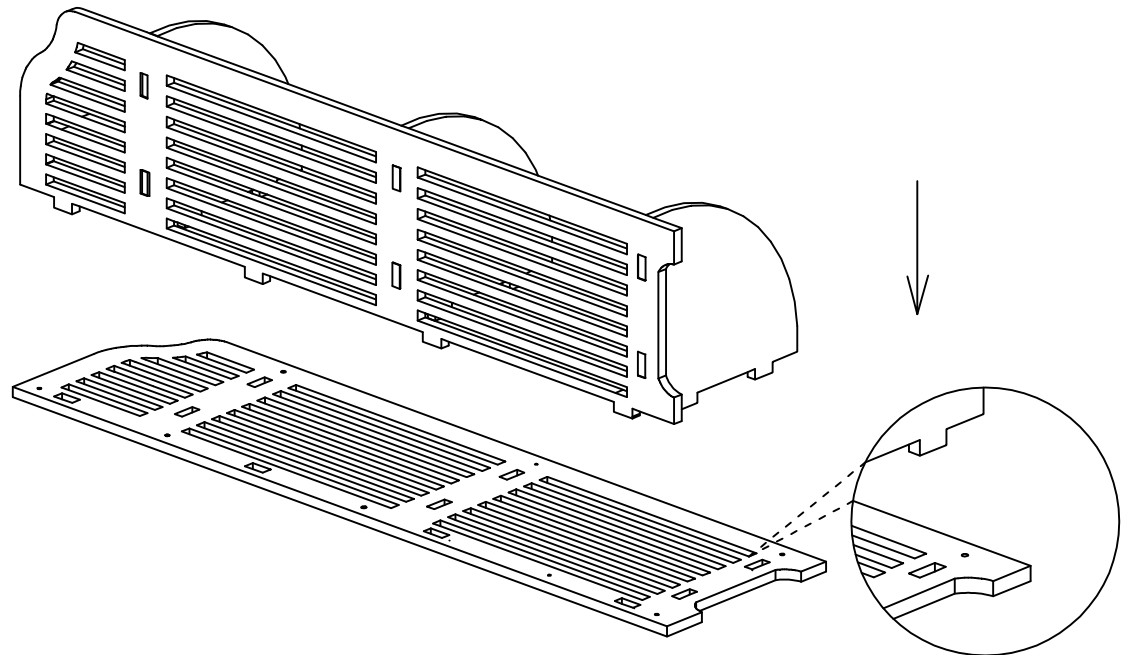
# Assembly instructions

## Step 1:



Attach the shelves to the left side panel, by inserting them into the pre-drilled slats as shown above.

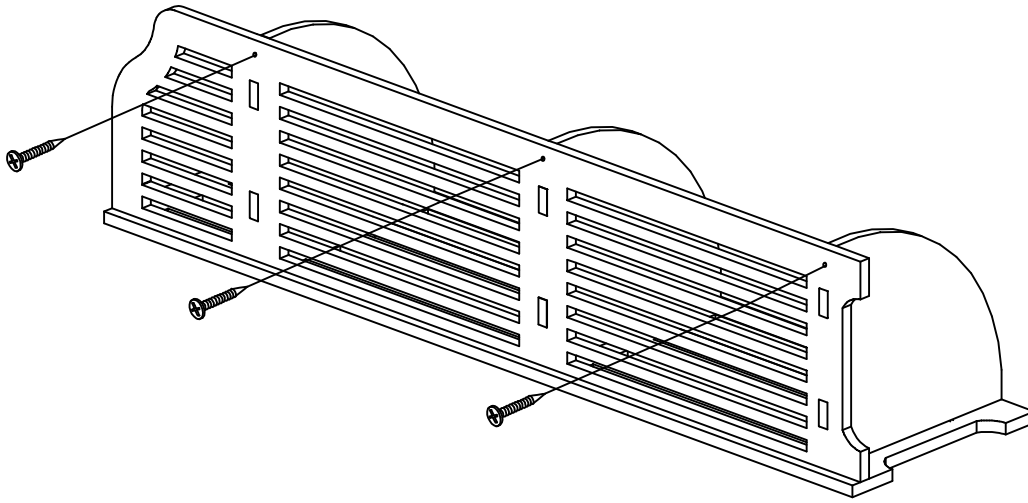
## Step 2:



Attach the shelves and left side panel to the right side panel, by inserting them into the pre-drilled slats as shown above.

### Step 3:

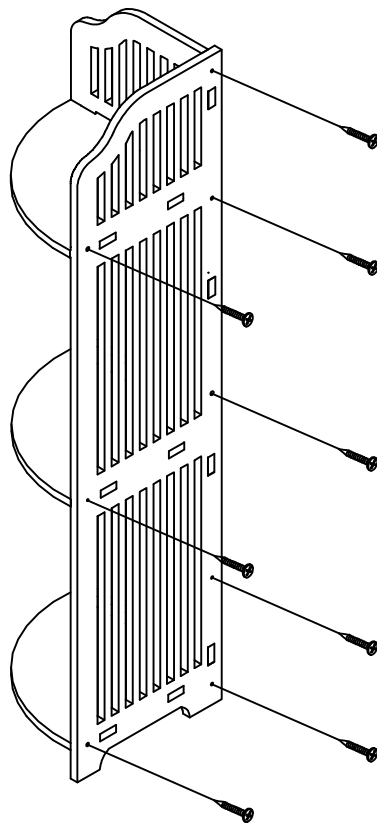
 3pcs



Insert and tighten the left panel with provided screws into pre-drilled holes to secure unit, as shown above.

### Step 4:

 8pcs



Insert and tighten the right panel with provided screws into pre-drilled holes to secure unit, as shown above.