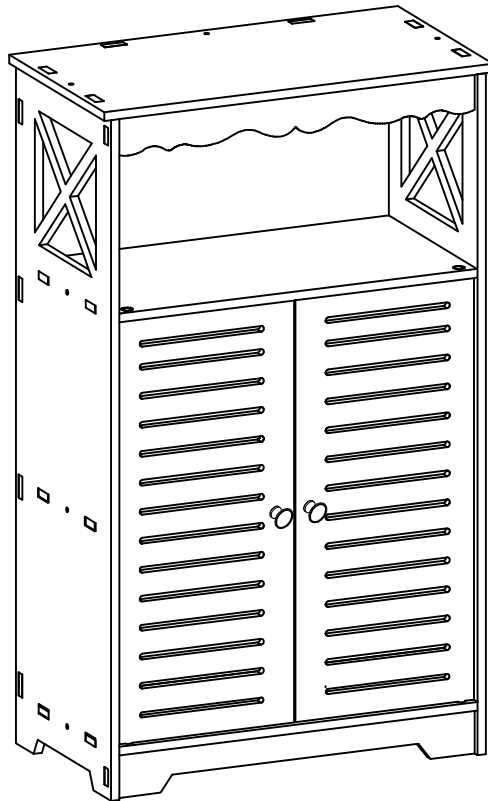


# ASSEMBLY INSTRUCTIONS

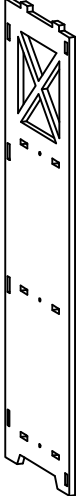
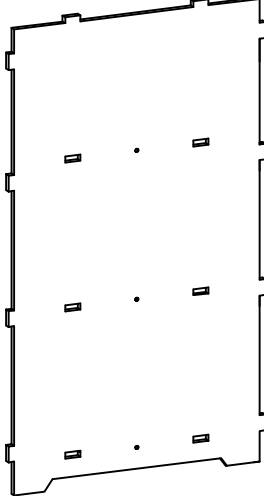
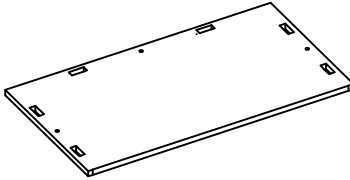
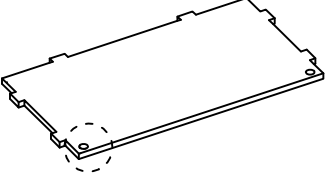
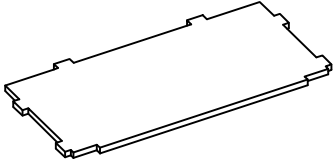

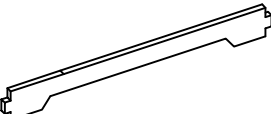
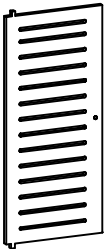
Style # BM15-WH Cabinet






## NOTE TO CUSTOMERS:

- For ease and speed of assembly we recommend that before you commence each step of the assembly that you identify all the parts required to complete that step.
- We recommend that where possible you allow sufficient space to assemble the item as close as possible to the place where it will be once assembled.
- For the protection of your furniture we recommend that the product is placed on protected surfaces during assembly to prevent any damage.
- During assembly do not over tighten, as this may damage the product.
- Please ensure you retain all the product packaging until the item completely assembled.
- Please periodically check all fittings and re-tighten as necessary.
- This product requires assembly by an adult because of the small parts. Care should be taken in unpacking and assembling this item to keep the small parts away from children.

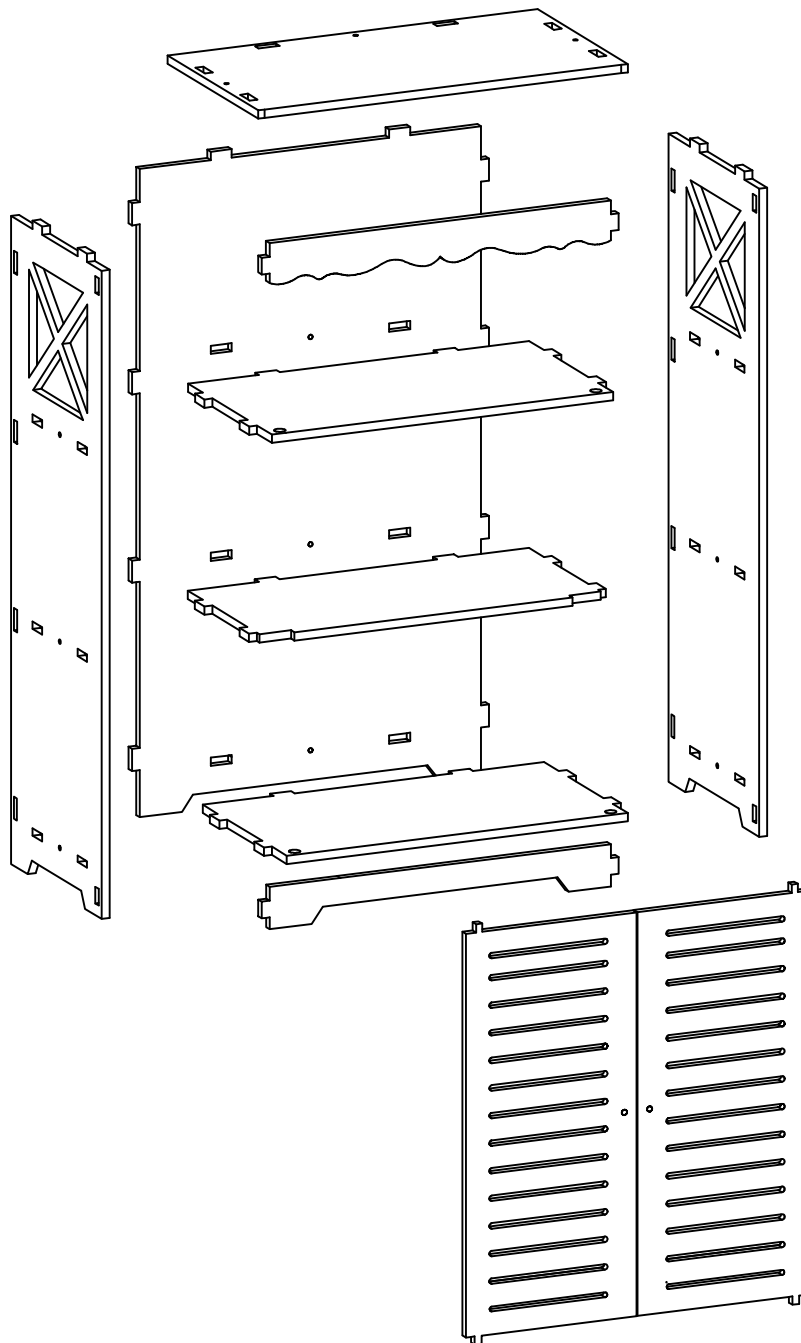
# Part List

<p>Quantity of 2</p>  <p><b>Side Panel</b></p>	<p>Quantity of 1</p>  <p><b>Back Panel</b></p>	<p>Quantity of 1</p>  <p><b>Top Panel</b></p>	<p>Quantity of 2</p>  <p><b>Shelf Panel</b></p>
<p>Quantity of 1</p>  <p><b>Center Shelf Panel</b></p>	<p>Quantity of 1</p>  <p><b>Upper Apron</b></p>	<p>Quantity of 1</p>  <p><b>Lower Apron</b></p>	
<p>Quantity of 2</p>  <p><b>Door</b></p>			

# Hardware List

<p>Quantity of 12</p>  <p><b>Screw</b></p>	<p>Quantity of 12</p>  <p><b>PVC cap for exposed screw head</b></p>	<p>Quantity of 2</p>  <p><b>Door Knob</b></p>
---	--	--

# Part List



## **WARNING**

**INJURIES CAN OCCUR FROM FURNITURE TIP-OVER. TO HELP PREVENT TIP-OVER:**

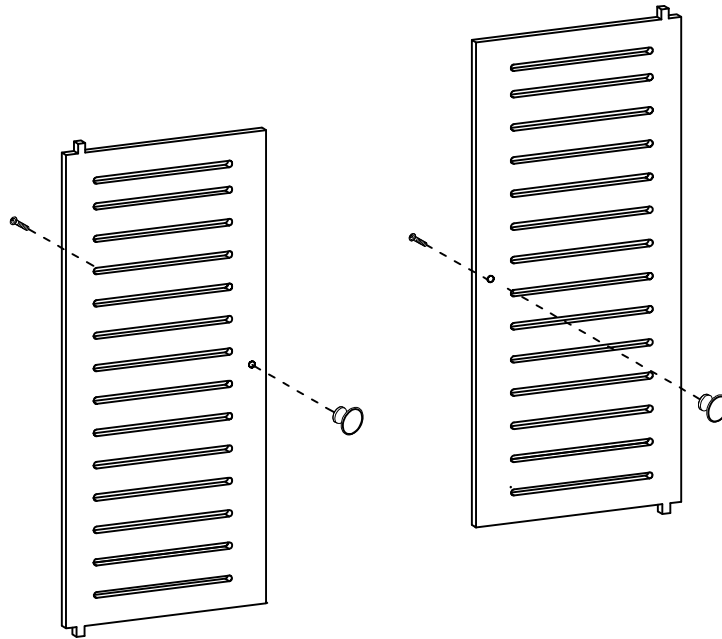
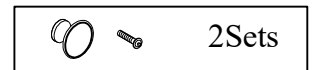
- Do not place heavy objects on the top of the table.
- Never allow children to climb on to the furniture.

## **NOTE :**

- This product is made of plastic wood, please do not use force when assembling in order to avoid damage.
- Each shelf maximum weight capacity is 4.4 lbs.
- Clean with damp cloth and non abrasive cleaning chemicals.

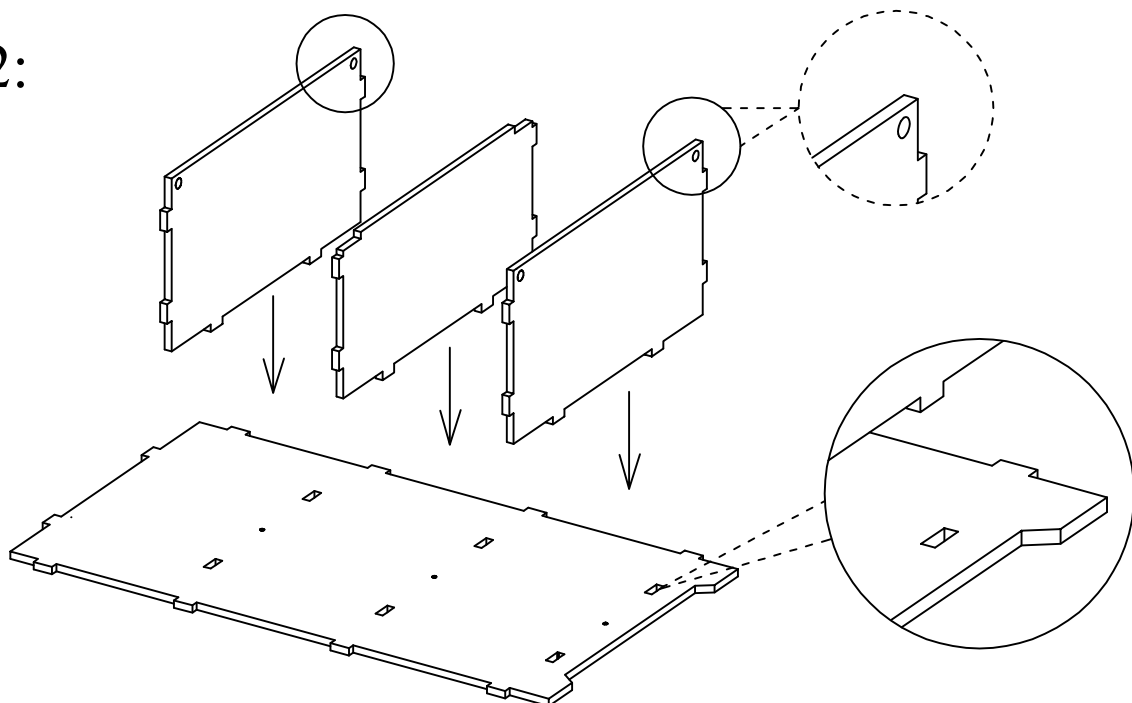
# Assembly instructions

## Step 1:



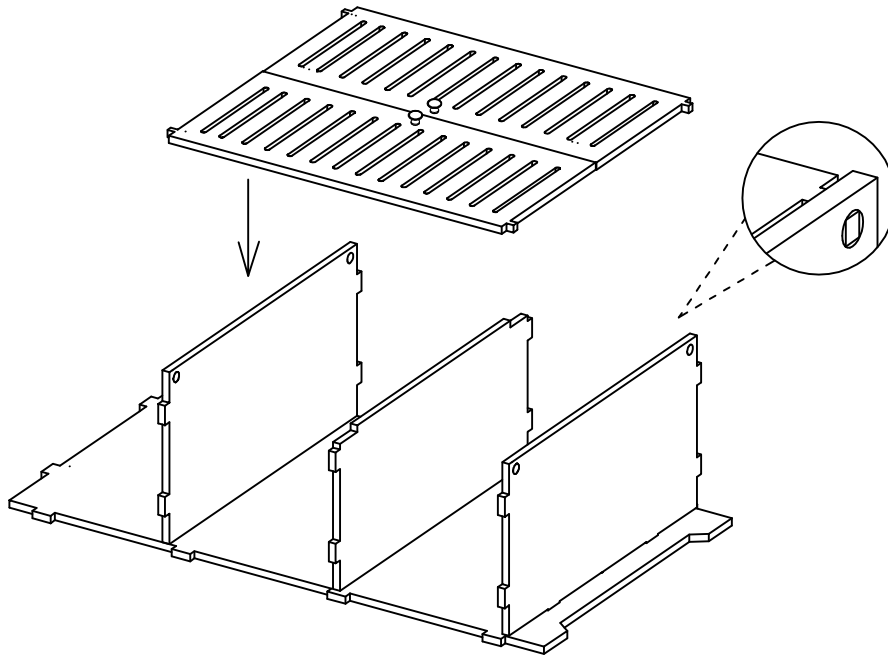
Attach the door knobs to doors using provided screws as shown above.

## Step 2:



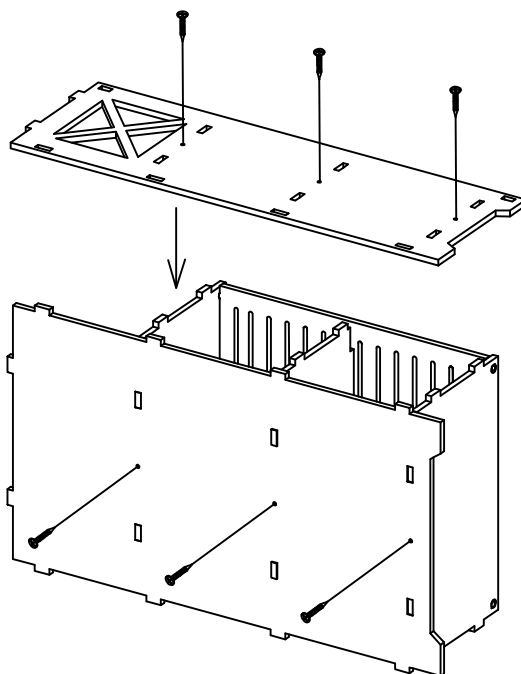
Attach the shelves to the back panel, by inserting them into the pre-drilled slats .

## Step 3:



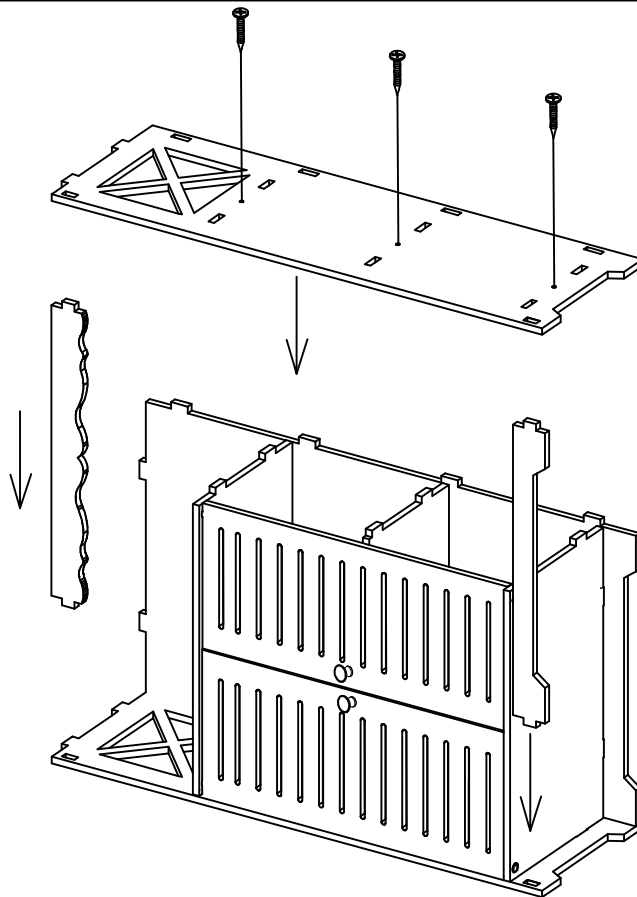
Attach the doors to the shelves, by inserting them into the pre-drilled slats as shown above.

## Step 4:



Attach the shelves and back panel to the side panel, by inserting them into the pre-drilled slats as shown above. Then tighten the side panel with provided screws into pre-drilled holes to secure unit as shown above.

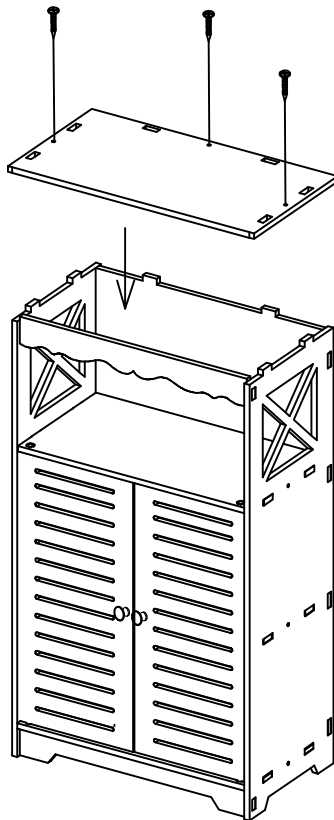
## Step 5:



3pcs

Attach the aprons to the side panels, by inserting them into the pre-drilled slats  
Then Attach the shelves and back panel , aprons to the other side panel, by inserting them into the pre-drilled slats as shown above.  
Then tighten the other side panel with provided screws into pre-drilled holes to secure unit as shown above.

## Step 6:



3pcs

Attach the top panel to the side panels & back panel ,by inserting them into the pre-drilled slats ,then tighten them by provided screws as shown above.