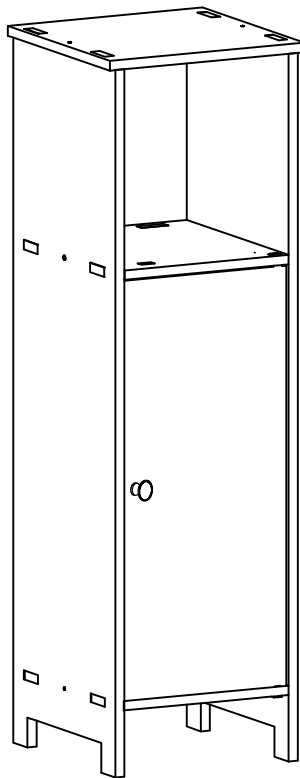


ASSEMBLY INSTRUCTIONS

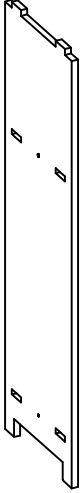
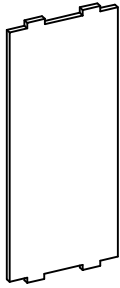
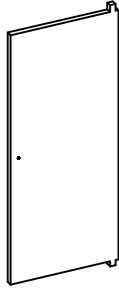
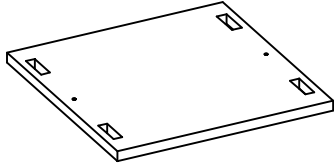
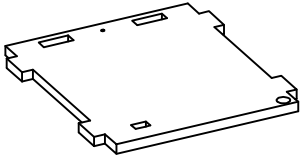
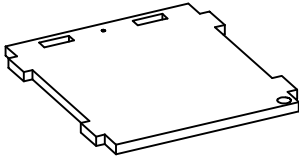

Style # BM12-WH Bathroom Cabinet






NOTE TO CUSTOMERS:

- For ease and speed of assembly we recommend that before you commence each step of the assembly that you identify all the parts required to complete that step.
- We recommend that where possible you allow sufficient space to assemble the item as close as possible to the place where it will be once assembled.
- For the protection of your furniture we recommend that the product is placed on protected surfaces during assembly to prevent any damage.
- During assembly do not over tighten, as this may damage the product.
- Please ensure you retain all the product packaging until the item completely assembled.
- Please periodically check all fittings and re-tighten as necessary.
- This product requires assembly by an adult because of the small parts. Care should be taken in unpacking and assembling this item to keep the small parts away from children.

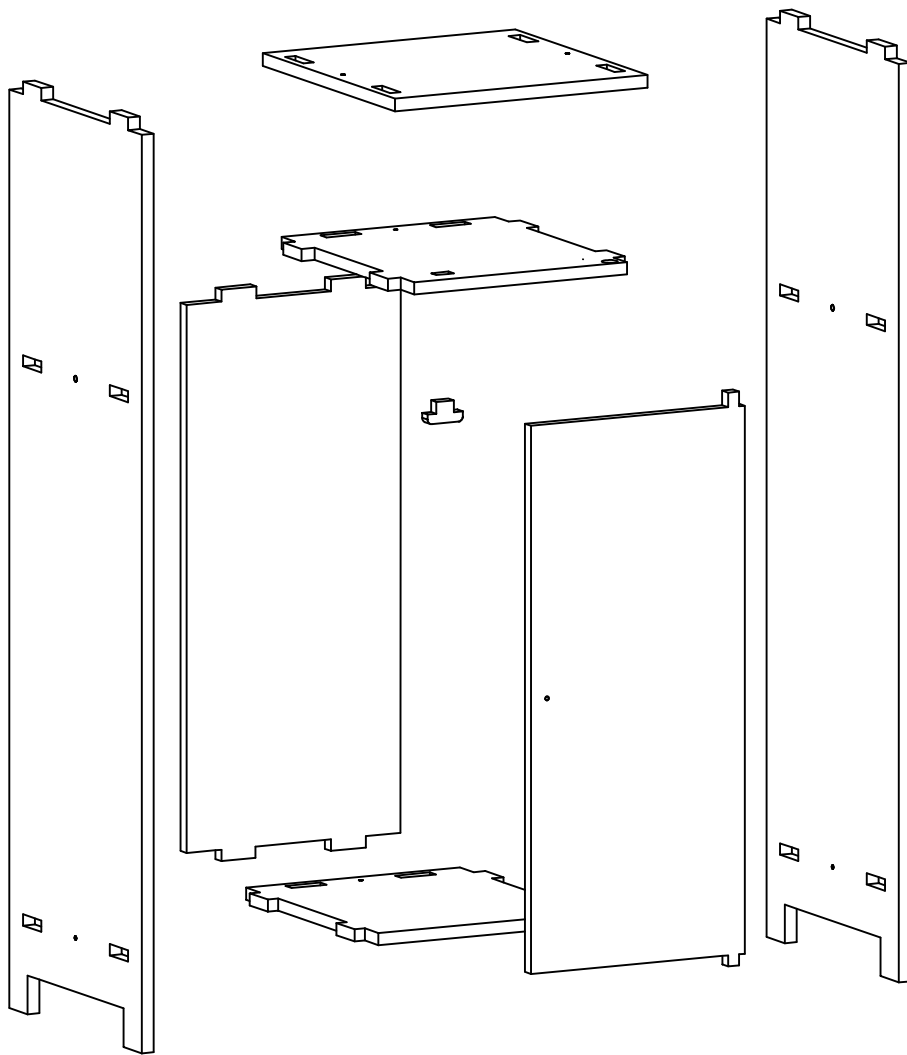
Part List

<p>Quantity of 2</p>  <p style="text-align: center;">Side Panel</p>	<p>Quantity of 1</p>  <p style="text-align: center;">Back Panel</p>	<p>Quantity of 1</p>  <p style="text-align: center;">Door Panel</p>	<p>Quantity of 1</p>  <p style="text-align: center;">Top Panel</p>
<p>Quantity of 1</p>  <p style="text-align: center;">Shelf Panel</p>	<p>Quantity of 1</p>  <p style="text-align: center;">Bottom Panel</p>	<p>Quantity of 1</p>  <p style="text-align: center;">Door Stopper</p>	

Hardware List

<p>Quantity of 8</p>  <p style="text-align: center;">Screw</p>	<p>Quantity of 8</p>  <p style="text-align: center;">PVC cap for exposed screw head</p>	<p>Quantity of 1</p>  <p style="text-align: center;">Door Knob</p>
---	--	---

Part List



WARNING

INJURIES CAN OCCUR FROM FURNITURE TIP-OVER. TO HELP PREVENT TIP-OVER:

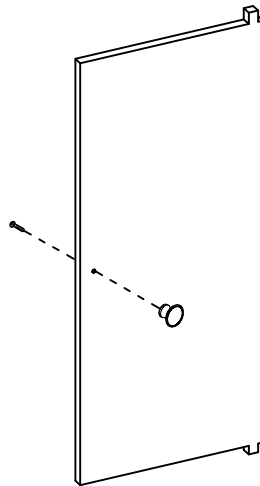
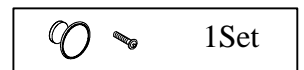
- Do not place heavy objects on the top of the table.
- Never allow children to climb on to the furniture.

NOTE :

- This product is made of plastic wood, please do not use force when assembling in order to avoid damage.
- Maximum weight capacity of the top,shelf & bottom panel : 3.3/3.3/4.4 lbs
- Clean with damp cloth and non abrasive cleaning chemicals.

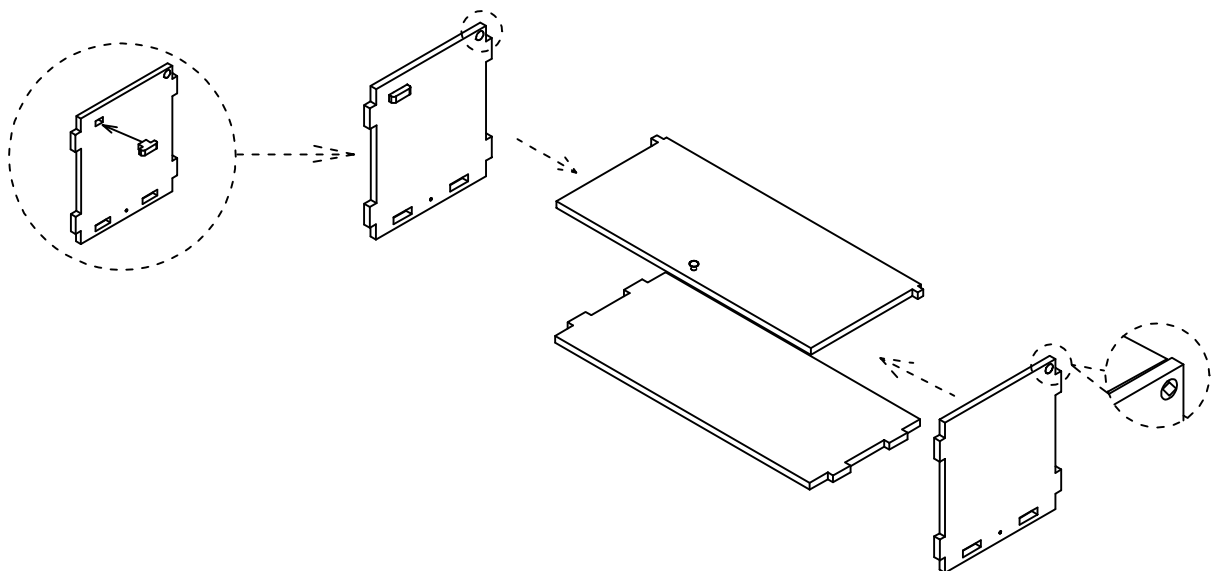
Assembly instructions

Step 1:



Attach the door knob to door using provided screw as shown above.

Step 2:

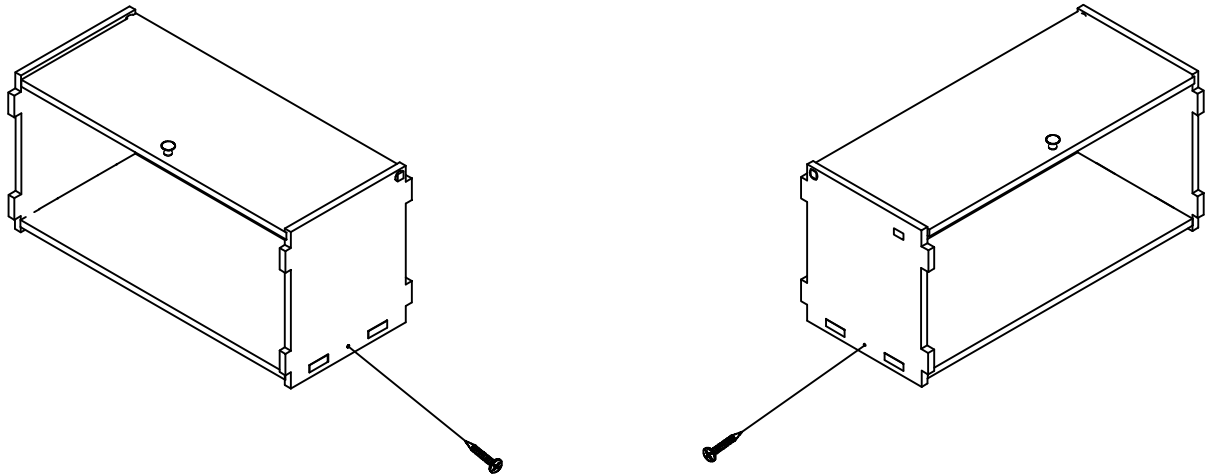


Insert the door stopper into hole on the shelf panel.

Attach the door and back panel to the shelf & bottom panel, by inserting them into the pre-drilled slats as show above


Step 3:

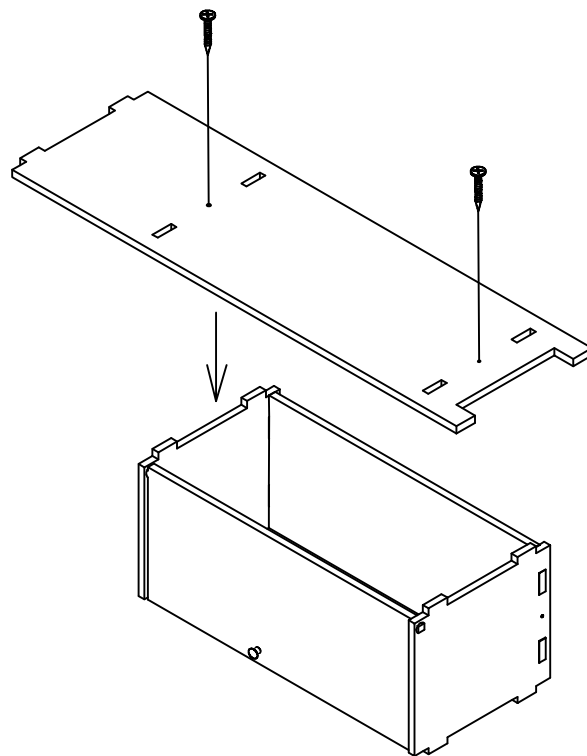
 2pcs



Insert and tighten unit with provided screws into pre-drilled holes to secure unit, as shown above.

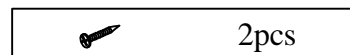
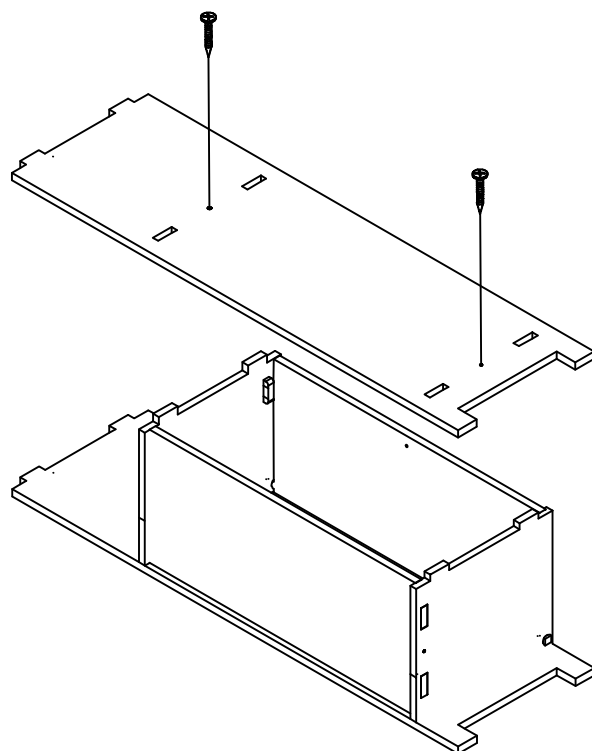
Step 4:

 2pcs



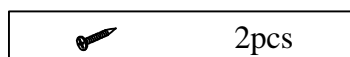
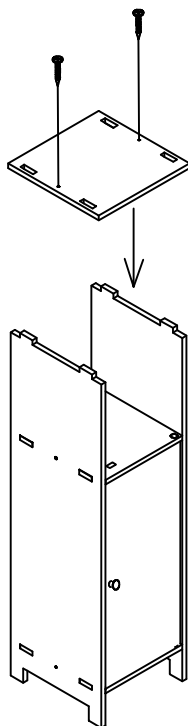
Attach the shelf and bottom panel to the side panel, by inserting them into the pre-drilled slats as shown above. Then tighten the side panel with provided screws into pre-drilled holes to secure unit as shown above.

Step 5:



Attach the shelf and bottom panel to the other side panel, by inserting them into the pre-drilled slats as shown above. Then tighten the side panel with provided screws into pre-drilled holes to secure unit as shown above.

Step 6:



Attach the side panels to the top panel, by inserting them into the pre-drilled slats as shown above. Then tighten the top panel with provided screws into pre-drilled holes to secure unit as shown above.