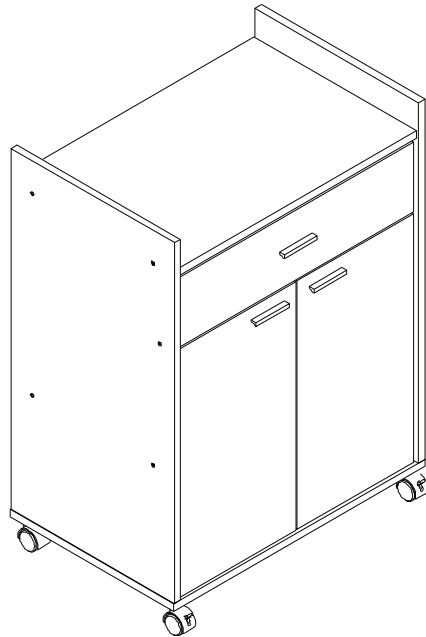


ASSEMBLY INSTRUCTIONS


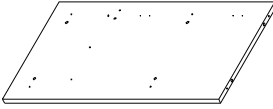

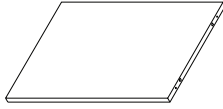
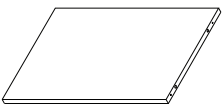

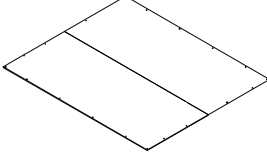
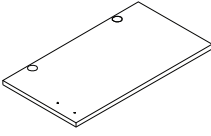
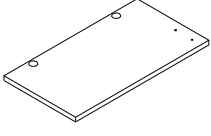
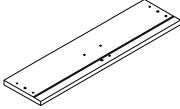
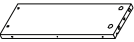

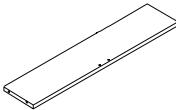


MODEL : #K6448 KITCHEN CART





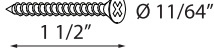
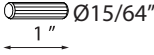




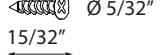
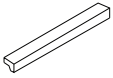
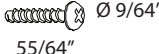
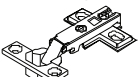
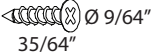
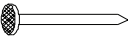

NOTE TO CUSTOMERS:

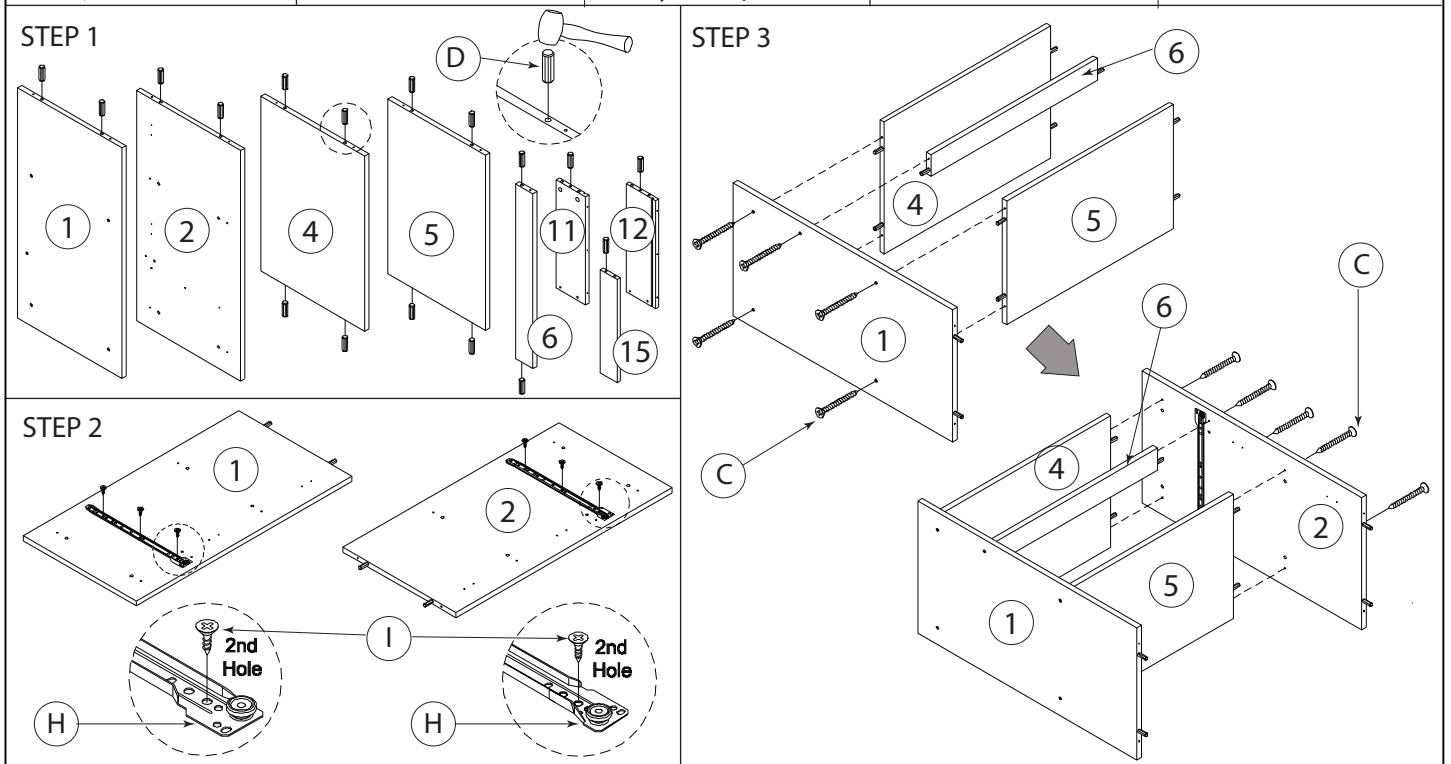
- For ease and speed of assembly we recommend that before you commence each step of the assembly that you identify all the parts required to complete that step.
- We recommend that where possible you allow sufficient space to assemble the item as close as possible to the place where it will be once assembled.
- For the protection of your furniture we recommend that the product is placed on a dry, soft, smooth and clean surfaces during assembly to prevent any damage. Avoid damp and direct sunlight.
- During assembly do not over tighten the screws or bolts, as this may damage the product.
- Please ensure you retain all the product packaging until the item is completely assembled.
- Periodically check all fitting and re-tighten as necessary.
- Never allow any liquids to remain on your furniture as absorption can cause the wood to warp or finish to de-laminate.
- It is recommended that this item should be assembled by two adults.

PARTS IDENTIFICATION

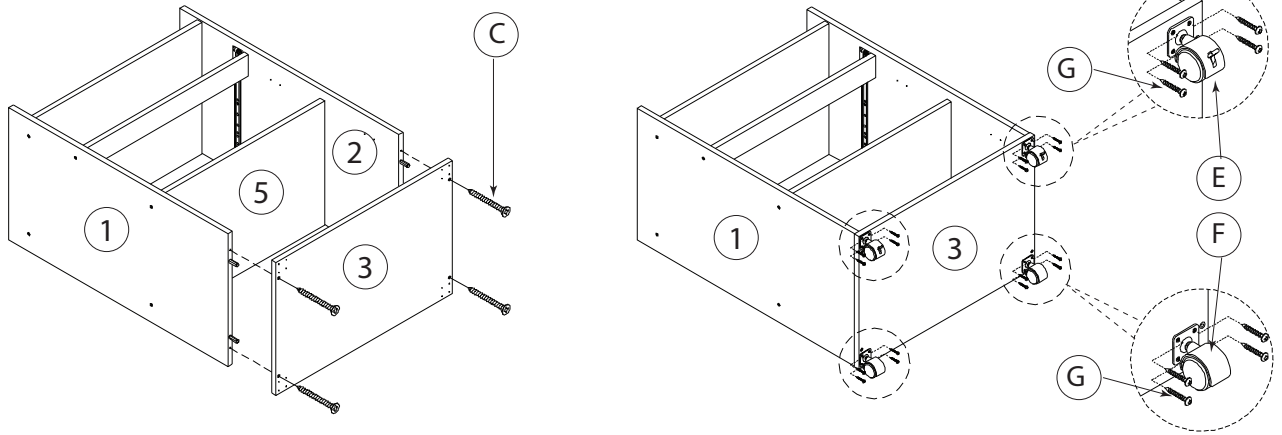
<p>① Quantity: 1</p>  <p>Side Panel Left</p>	<p>② Quantity: 1</p>  <p>Side Panel Right</p>	<p>③ Quantity: 1</p>  <p>Base Panel</p>	<p>④ Quantity: 1</p>  <p>Top Shelf Panel</p>	<p>⑤ Quantity: 1</p>  <p>Lower Shelf Panel</p>
<p>⑥ Quantity: 1</p>  <p>Divider Rail</p>	<p>⑦ Quantity: 1</p>  <p>Back Panel</p>	<p>⑧ Quantity: 1</p>  <p>Left Door</p>	<p>⑨ Quantity: 1</p>  <p>Right Door</p>	<p>⑩ Quantity: 1</p>  <p>Drawer Front panel</p>
<p>⑪ Quantity: 1</p>  <p>Drawer Side Panel-Left</p>	<p>⑫ Quantity: 1</p>  <p>Drawer Side Panel-Right</p>	<p>⑬ Quantity: 1</p>  <p>Drawer Back Panel</p>	<p>⑭ Quantity: 1</p>  <p>Drawer Base Panel</p>	<p>⑮ Quantity: 1</p>  <p>Drawer Base Support Rail</p>

HARDWARE LIST

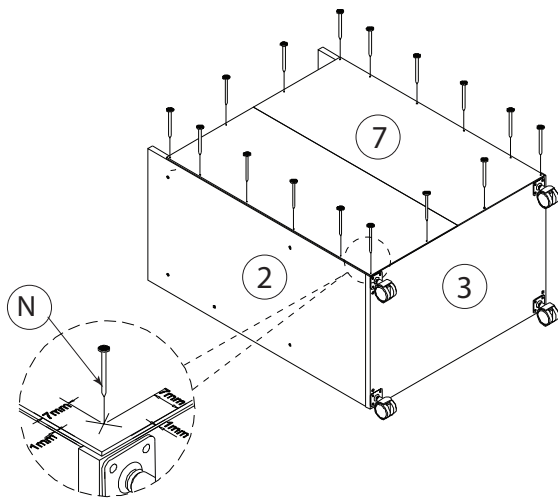
<p>A Connecting Bolts</p>  <p>Quantity: 5 pcs</p>	<p>B Camlocks D12 x 9.5mm</p>  <p>Quantity: 5 pcs</p>	<p>C Screw #9 x 1 1/2"</p>  <p>Quantity: 20 pcs</p>	<p>D Wooden Dowel M6 x 25</p>  <p>Quantity: 17 pcs</p>	<p>E Castor Wheel with Lock</p>  <p>Quantity: 2 pcs</p>
<p>F Castor Wheel</p>  <p>Quantity: 2 pcs</p>	<p>G Pan head Screw M3.5 x 12 for castors</p>  <p>Quantity: 16 pcs</p>	<p>H Drawer Slide</p>  <p>Quantity: 1 set</p>	<p>I Slide's Screw M4 x 12</p>  <p>Quantity: 12 pcs</p>	<p>J Drawer Pull</p>  <p>Quantity: 3 pcs</p>
<p>K Pan head Screw #6 x 22</p>  <p>Quantity: 6 pcs</p>	<p>L Door Hinges</p>  <p>Quantity: 4 pcs</p>	<p>M Hinges' Screw M3.5 x 14</p>  <p>Quantity: 16 pcs</p>	<p>N Nails</p>  <p>Quantity: 16 pcs</p>	<p>O Sticker</p>  <p>Quantity: 10 pcs</p>



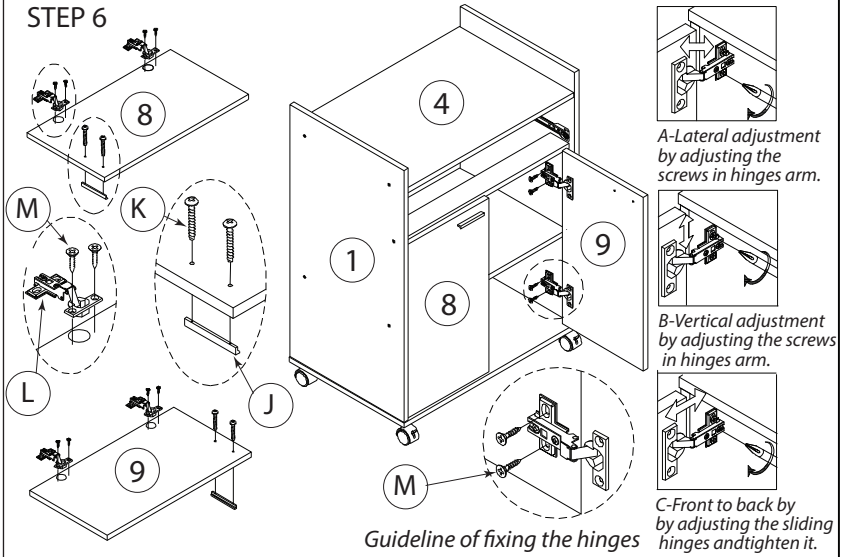
STEP 4



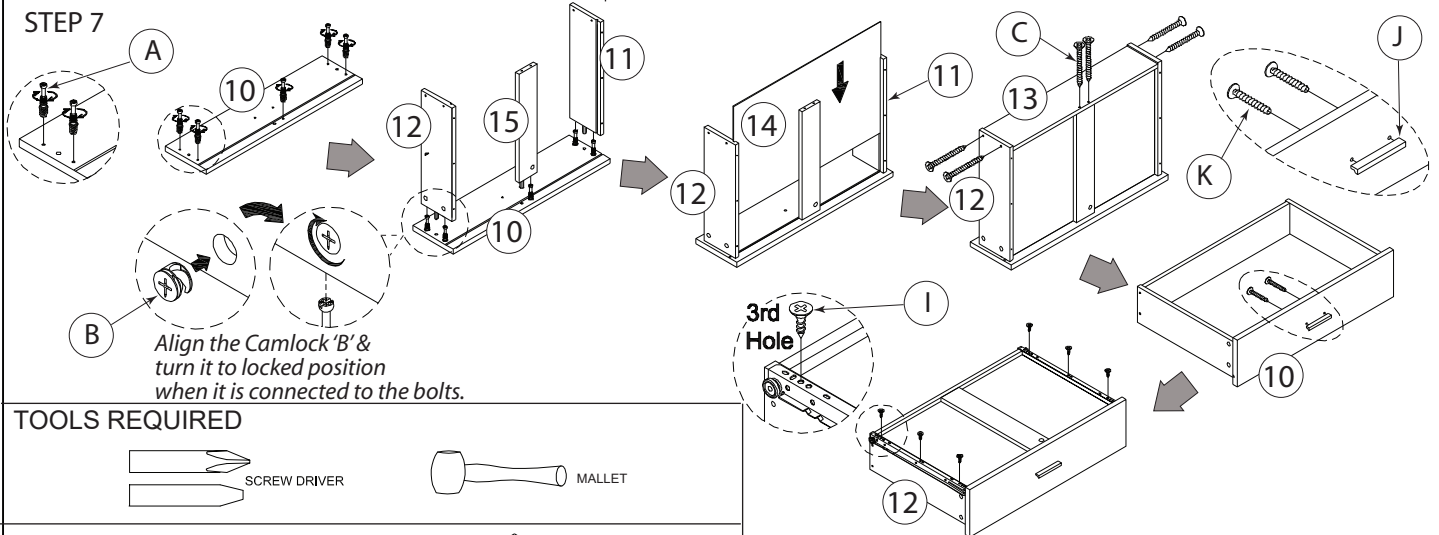
STEP 5



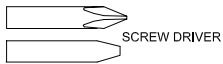
STEP 6



STEP 7



TOOLS REQUIRED



STEP 8

