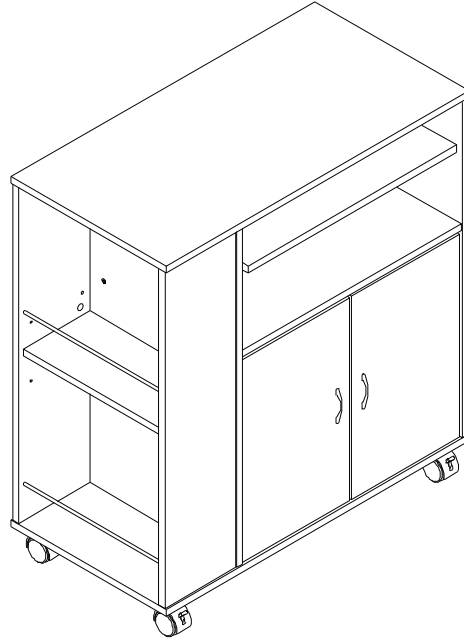


ASSEMBLY INSTRUCTIONS

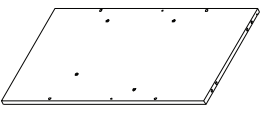
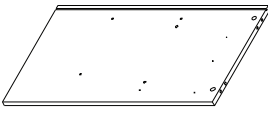
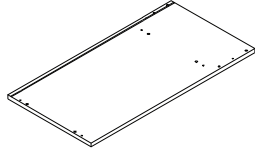
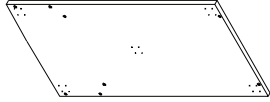
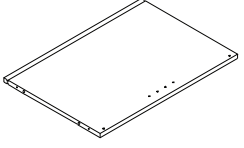
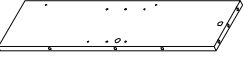
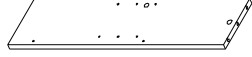
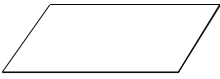
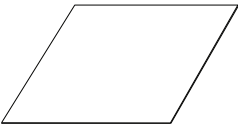
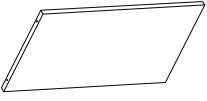
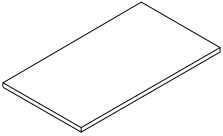
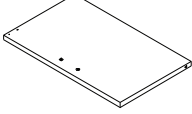
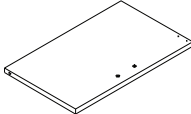
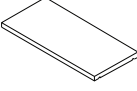
MODEL : #K6420 KITCHEN CART





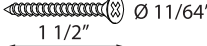



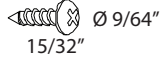

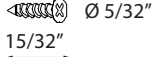

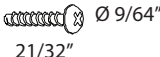

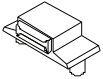
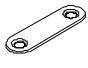

NOTE TO CUSTOMERS:

- For ease and speed of assembly we recommend that before you commence each step of the assembly that you identify all the parts required to complete that step.
- We recommend that where possible you allow sufficient space to assemble the item as close as possible to the place where it will be once assembled.
- For the protection of your furniture we recommend that the product is placed on a dry, soft, smooth and clean surfaces during assembly to prevent any damage. Avoid damp and direct sunlight.
- During assembly do not over tighten the screws or bolts, as this may damage the product.
- Please ensure you retain all the product packaging until the item is completely assembled.
- Periodically check all fitting and re-tighten as necessary.
- Never allow any liquids to remain on your furniture as absorption can cause the wood to warp or finish to de-laminate.
- It is recommended that this item should be assembled by two adults.


PARTS IDENTIFICATION

<p>① Quantity: 1</p>  <p>Divider Panel Left</p>	<p>② Quantity: 1</p>  <p>Side Panel Right</p>	<p>③ Quantity: 1</p>  <p>Top Panel</p>	<p>④ Quantity: 1</p>  <p>Base Panel</p>	<p>⑤ Quantity: 1</p>  <p>Middle Shelf Panel</p>
<p>⑥ Quantity: 1</p>  <p>Back Rack's Side Panel</p>	<p>⑦ Quantity: 1</p>  <p>Front Rack's Side Panel</p>	<p>⑧ Quantity: 1</p>  <p>Upper Back Panel</p>	<p>⑨ Quantity: 1</p>  <p>Lower Back Panel</p>	<p>⑩ Quantity: 1</p>  <p>Lower Shelf Panel</p>
<p>⑪ Quantity: 1</p>  <p>Pull-out shelf Panel</p>	<p>⑫ Quantity: 1</p>  <p>Left Door</p>	<p>⑬ Quantity: 1</p>  <p>Right Door</p>	<p>⑭ Quantity: 1</p>  <p>Spice Rack's Shelf</p>	

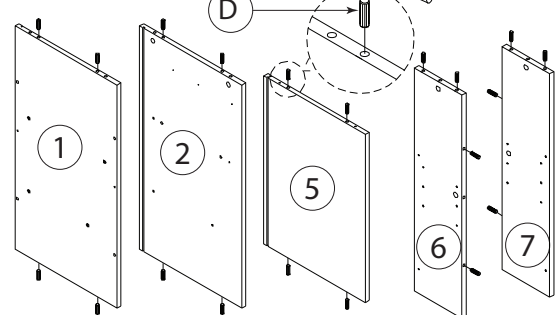
HARDWARE LIST

<p>A Connecting Bolts</p>  <p>Quantity: 8 pcs</p>	<p>B Camlocks D15 x 12.5mm</p>  <p>Quantity: 8 pcs</p>	<p>C Screw #9 x 1 1/2"</p>  <p>Quantity: 16 pcs</p>	<p>D Wooden Dowel M8 x 25</p>  <p>Quantity: 20 pcs</p>	<p>E Castor Wheel with Lock</p>  <p>Quantity: 2 pcs</p>
<p>F Castor Wheel</p>  <p>Quantity: 3 pcs</p>	<p>G Pan head Screw M3.5 x 12 for Castors</p>  <p>Quantity: 20 pcs</p>	<p>H Drawer Slide</p>  <p>Quantity: 1 set</p>	<p>I Slide's Screw M4 x 12</p>  <p>Quantity: 16 pcs</p>	<p>J Door Pull</p>  <p>Quantity: 2 pcs</p>
<p>K Pan head Screw #6 x 16.5</p>  <p>Quantity: 4 pcs</p>	<p>L Metal Rod</p>  <p>Quantity: 2 pcs</p>	<p>M Door Catcher</p>  <p>Quantity: 2 pcs</p>	<p>N Catcher plate</p>  <p>Quantity: 2 pcs</p>	<p>O Sticker</p>  <p>Quantity: 8 pcs</p>

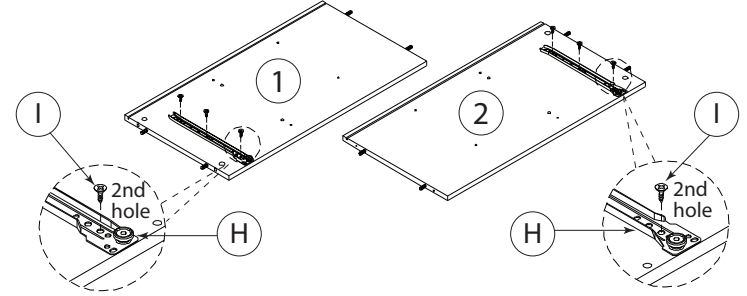
TOOLS REQUIRED

<p>P Door's Pivot Hinge</p>  <p>Quantity: 4 pcs</p>	<p>Q Shelf Support Pin</p>  <p>Quantity: 4 pcs</p>	<p>SCREW DRIVER</p> 	<p>MALLET</p> 
---	--	--	--

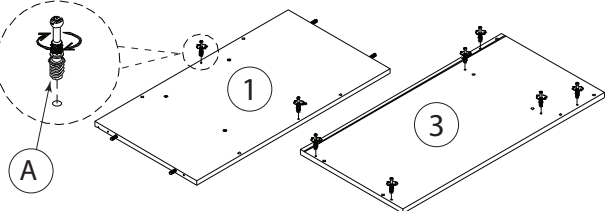
STEP 1



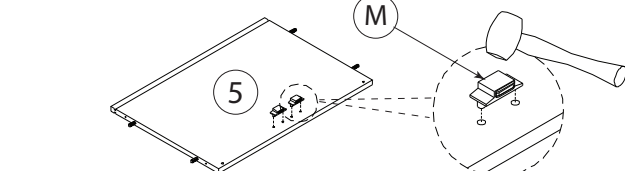
STEP 3



STEP 2



STEP 4



STEP 5

Align the Camlock 'B' & turn it to locked position when it is connected to the bolts.

STEP 6

STEP 7

STEP 8

Slide in the Lower Back Panel '9', and then, attach the Base Panel '4'.

STEP 9

STEP 10

Align the Camlock 'B' & turn it to locked position when it is connected to the bolts.

STEP 11

STEP 12

3rd hole

STEP 13

TOP

BOTTOM

STEP 14