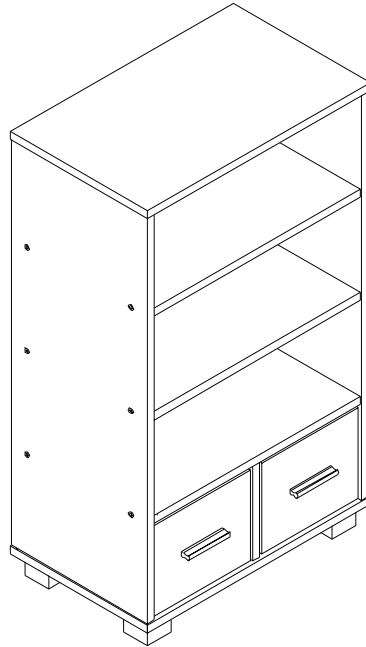


# ASSEMBLY INSTRUCTIONS

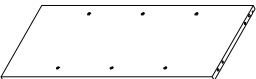

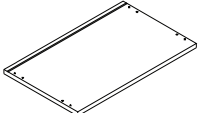
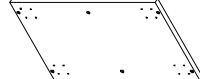


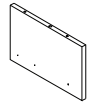
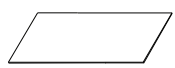
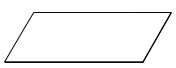
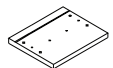

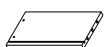


## MODEL : #BK6009 BOOKCASE






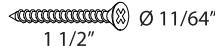
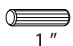
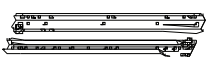
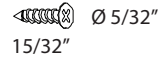
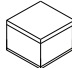
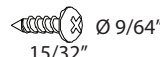

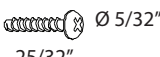

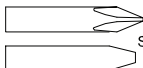

### NOTE TO CUSTOMERS:

- For ease and speed of assembly we recommend that before you commence each step of the assembly that you identify all the parts required to complete that step.
- We recommend that where possible you allow sufficient space to assemble the item as close as possible to the place where it will be once assembled.
- For the protection of your furniture we recommend that the product is placed on a dry, soft, smooth and clean surfaces during assembly to prevent any damage. Avoid damp and direct sunlight.
- During assembly do not over tighten the screws or bolts, as this may damage the product.
- Please ensure you retain all the product packaging until the item is completely assembled.
- Periodically check all fitting and re-tighten as necessary.
- Never allow any liquids to remain on your furniture as absorption can cause the wood to warp or finish to de-laminate.
- It is recommended that this item should be assembled by two adults.

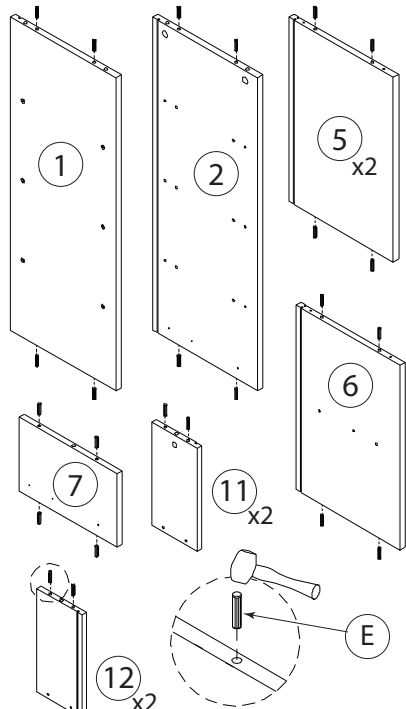
## PARTS IDENTIFICATION

<p>① Quantity: 1</p>  <p>Side Panel Left</p>	<p>② Quantity: 1</p>  <p>Side Panel Right</p>	<p>③ Quantity: 1</p>  <p>Top Panel</p>	<p>④ Quantity: 1</p>  <p>Base Panel</p>	<p>⑤ Quantity: 2</p>  <p>Middle Shelve Panel</p>
<p>⑥ Quantity: 1</p>  <p>Lower Shelf Panel</p>	<p>⑦ Quantity: 1</p>  <p>Lower Divider Panel</p>	<p>⑧ Quantity: 3</p>  <p>Upper Back Panels</p>	<p>⑨ Quantity: 1</p>  <p>Lower Back panel</p>	<p>⑩ Quantity: 2</p>  <p>Drawer Front panel</p>
<p>⑪ Quantity: 2</p>  <p>Drawer Side- Left</p>	<p>⑫ Quantity: 2</p>  <p>Drawer Side- Right</p>	<p>⑬ Quantity: 2</p>  <p>Drawer Back</p>	<p>⑭ Quantity: 2</p>  <p>Drawer Base</p>	

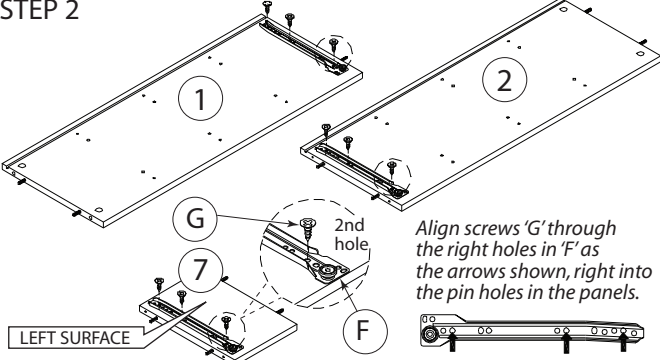
## HARDWARE LIST

<p><b>A</b> Connecting Bolts</p>  <p>Quantity: 9 pcs</p>	<p><b>B</b> Camlocks D12 x 9.5mm</p>  <p>Quantity: 4 pcs</p>	<p><b>C</b> Camlocks D15 x 12.5mm</p>  <p>Quantity: 5 pcs</p>	<p><b>D</b> Screw #9 x 1 1/2"</p>  <p>Quantity: 26 pcs</p>	<p><b>E</b> Wooden Dowel M6 x 25</p>  <p>Quantity: 32 pcs</p>
<p><b>F</b> Drawer Slide</p>  <p>Quantity: 2 sets</p>	<p><b>G</b> Slide's Screw M4 x 12</p>  <p>Quantity: 24 pcs</p>	<p><b>H</b> Leg</p>  <p>Quantity: 4 pcs</p>	<p><b>I</b> Pan head Screw M3.5 x 12 for the Legs</p>  <p>Quantity: 16 pcs</p>	<p><b>J</b> Drawer Pull</p>  <p>Quantity: 2 pcs</p>
<p><b>K</b> Pan head Screw M4 x 20</p>  <p>Quantity: 4 pcs</p>	<p><b>L</b> Sticker</p>  <p>Quantity: 12 pcs</p>	<h2>TOOLS REQUIRED</h2>  <p>SCREW DRIVER</p>  <p>MALLET</p>		

### STEP 1



### STEP 2



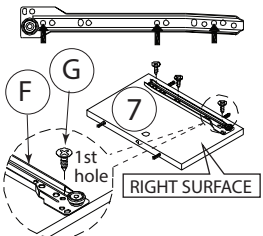
Align screws 'G' through the right holes in 'F' as the arrows shown, right into the pin holes in the panels.

LEFT SURFACE

RIGHT SURFACE

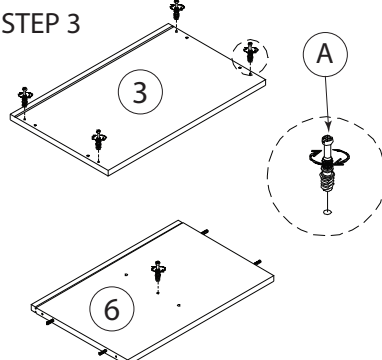
### STEP 2a

Align screws 'G' through the right holes in 'F' as the arrows shown, right into the pin holes in the panels.



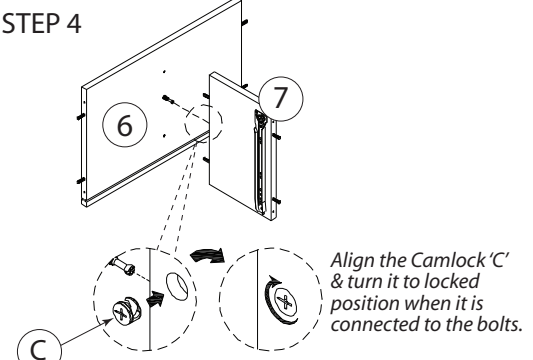
RIGHT SURFACE

### STEP 3



A

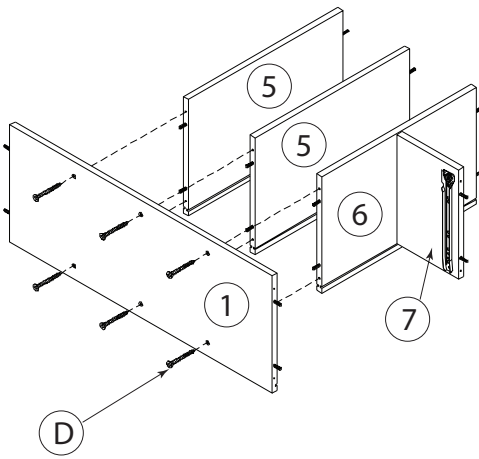
### STEP 4



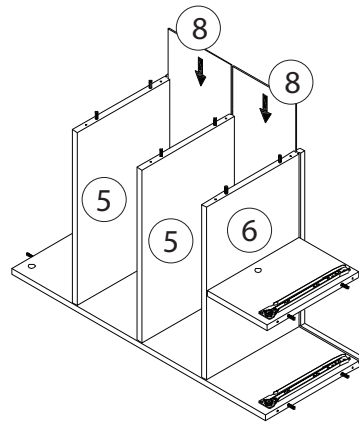
Align the Camlock 'C' & turn it to locked position when it is connected to the bolts.

C

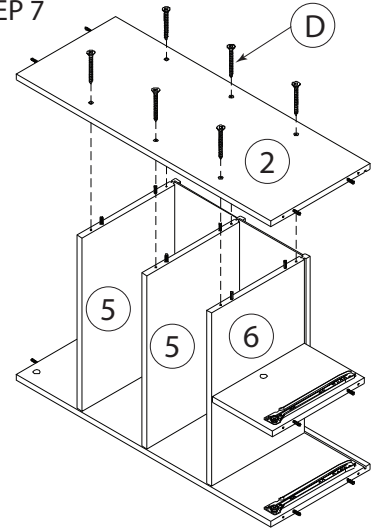
STEP 5



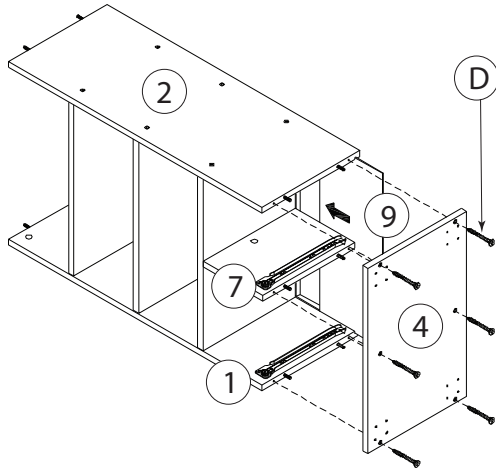
STEP 6



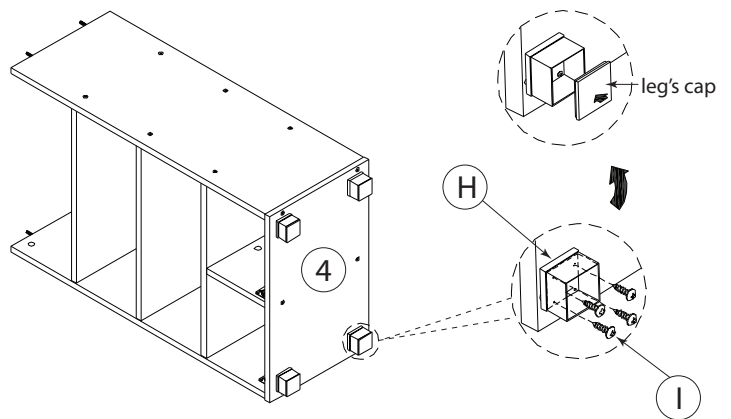
STEP 7



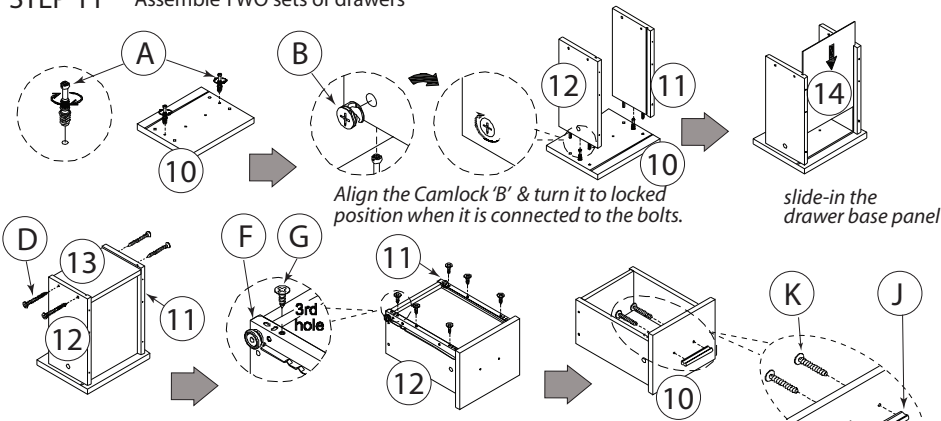
STEP 8



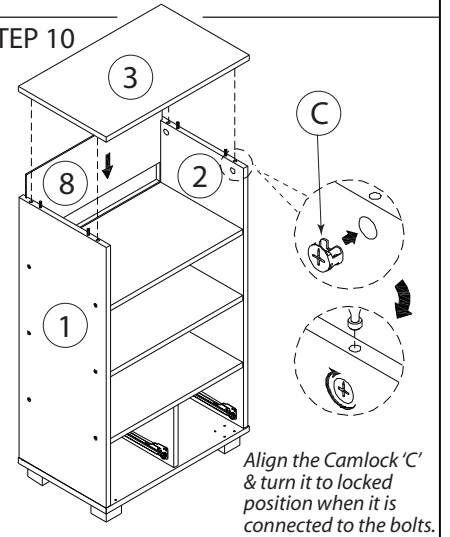
STEP 9



STEP 11 Assemble TWO sets of drawers



STEP 10



STEP 12

