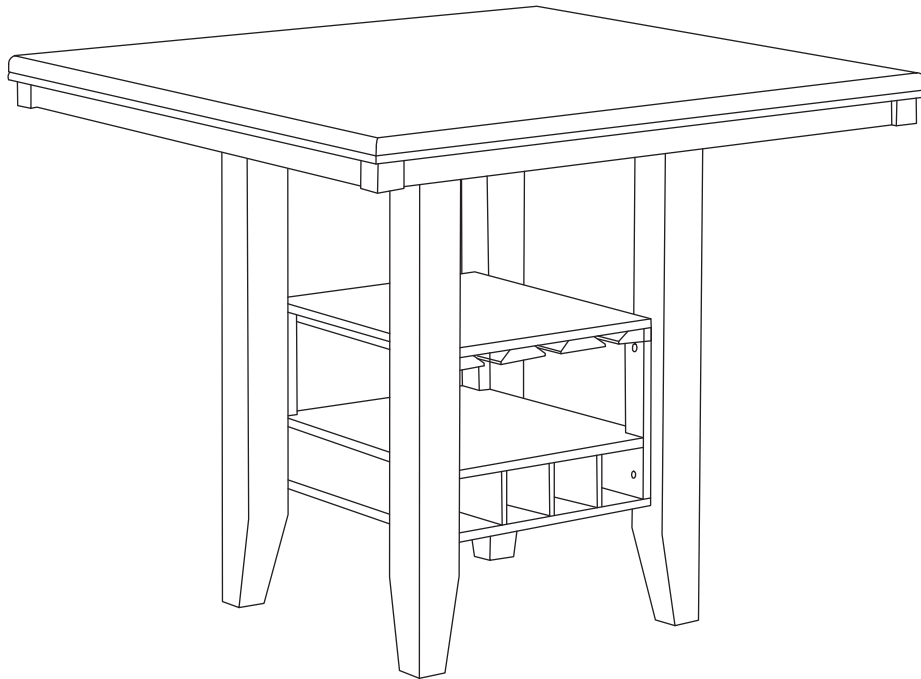


ASSEMBLY INSTRUCTIONS

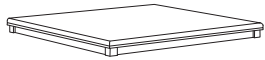
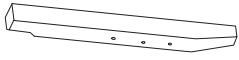
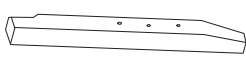
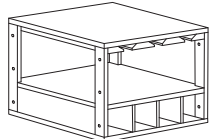
MODEL #D4200-T : DINING TABLE







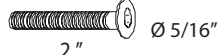


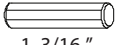
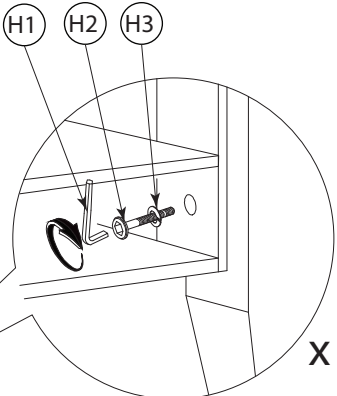
NOTE TO CUSTOMERS:

- For ease and speed of assembly we recommend that before you commence each step of the assembly that you identify all the parts required to complete that step.
- We recommend that where possible you allow sufficient space to assemble the item as close as possible to the place where it will be once assembled.
- For the protection of your furniture we recommend that the product is placed on a dry, soft, smooth and clean surfaces during assembly to prevent any damage. Avoid damp and direct sunlight.
- During assembly do not over tighten the screws or bolts, as this may damage the product.
- Please ensure you retain all the product packaging until the item is completely assembled.
- Periodically check all fitting and re-tighten as necessary.
- Never allow any liquids to remain on your furniture as absorption can cause the wood to warp or finish to de-laminate.
- It is recommended that this item should be assembled by two adults.

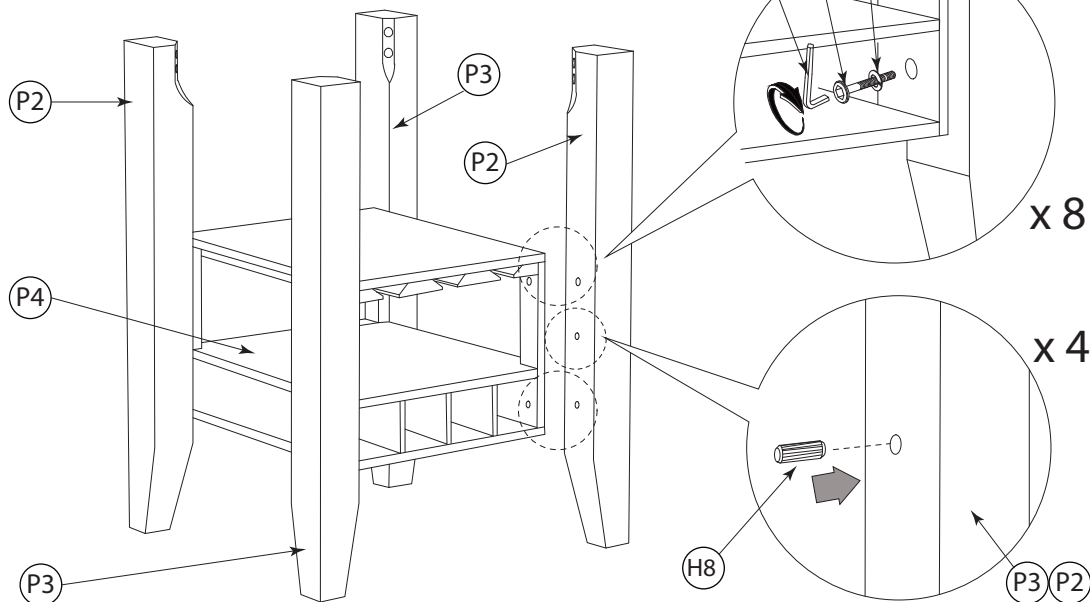
PARTS IDENTIFICATION

CARTON BOX A	P1	Quantity: 1	P2	Quantity: 2	P3	Quantity: 2	CARTON BOX B	P4	Quantity: 1
									
Table Top		Table Legs- Left		Table Legs- Right		Storage			

HARDWARE LISTS

H1 Allen Key M4  Quantity: 1 pc	H2 JCBC Bolts M6 x 35mm  Quantity: 8 pcs	H3 Spring Washer 1/4"  Quantity: 8 pcs	H4 Allen Key M5  Quantity: 1 pc	H5 JCBB Bolts M8 x 60mm  Quantity: 8 pcs
H6 Spring Washer 5/16"  Quantity: 8 pcs	H7 Flat Washer 5/16"  Quantity: 8 pcs	H8 Wood dowel M12 x 30mm  Quantity: 4 pcs		

STEP 1



STEP 2

