
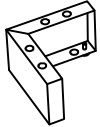


# ASSEMBLY INSTRUCTIONS

**MODEL : 0289A  
NIGHT STAND**

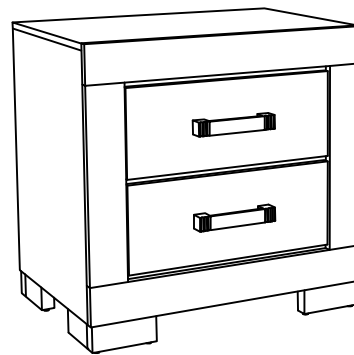
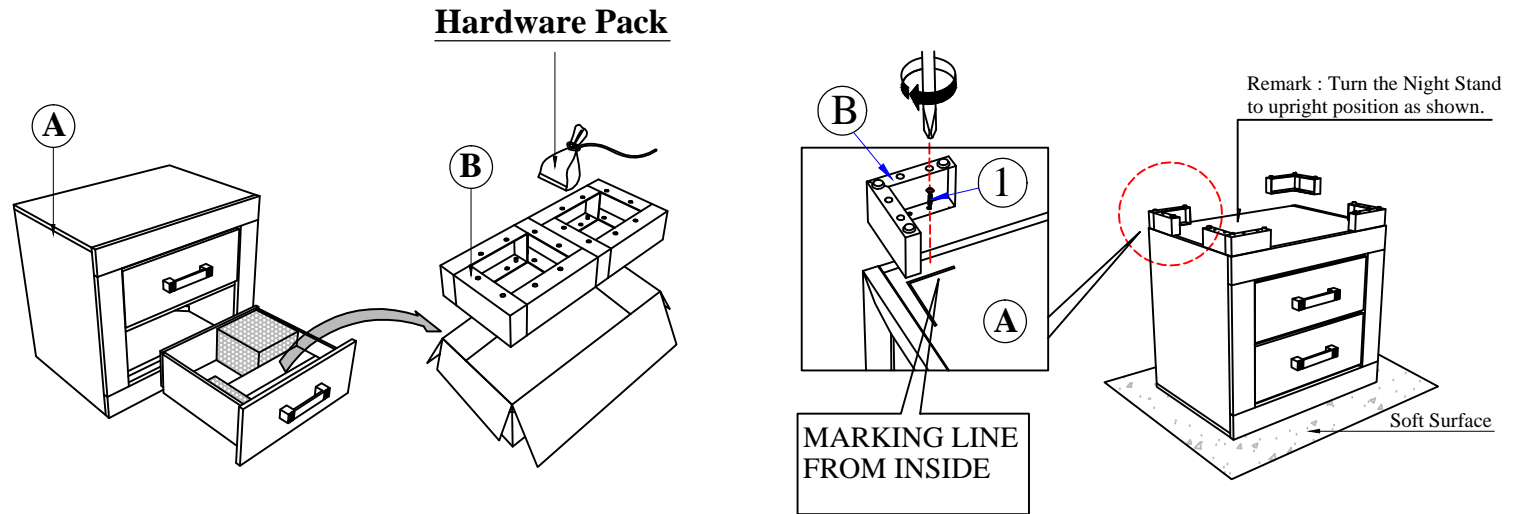
**(BOX 1)  
BOX OF NIGHT STAND**

NO	ITEM	QTY
A	NIGHT STAND 	1 pc
B	METAL LEG 	4 pcs

**(BOX 1)  
HARDWARE LIST**

NO	ITEM	QTY
1	Pan Head Chipboard Screw m4x20mm Blk 	16 pcs

**STEP 1 :** Pull the bottom drawer and take out the Bunfoot carton ( B ). Assemble the Metal Leg (B) with CSK Screw ( as shown.



**COMPLETED ASSEMBLY**

NOTE : MUST TIGHTEN SCREWS **PERIODICALLY** WITH USE SCREW WILL BECOME LOOSE CHECK TIGHTNESS OF ALL SCREW EVERY 6-8 WEEKS.