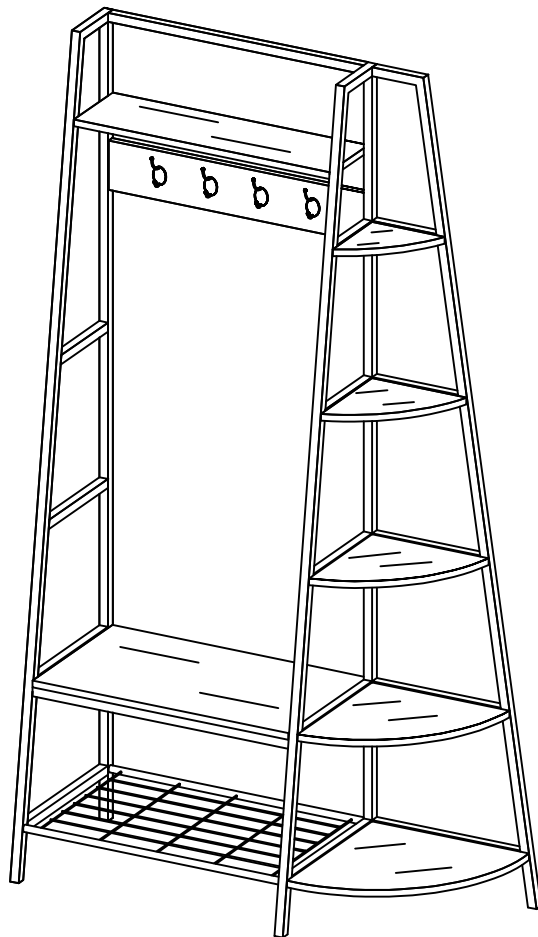


ASSEMBLY INSTRUCTIONS



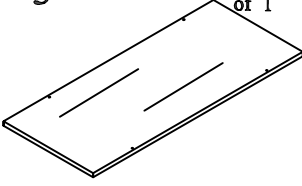
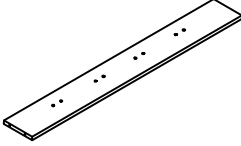
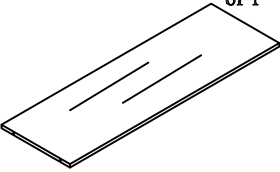




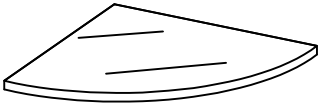
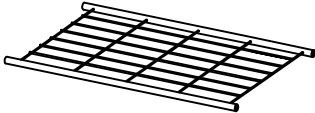







Style # CR1485 Coat Rack



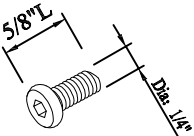
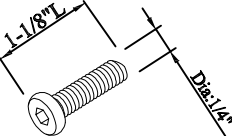
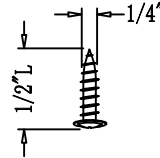

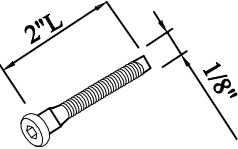

NOTE TO CUSTOMERS:

- For ease and speed of assembly we recommend that before you commence each step of the assembly that you identify all the parts required to complete that step.
- We recommend that where possible you allow sufficient space to assemble the item as close as possible to the place where it will be once assembled.
- For the protection of your furniture we recommend that the product is placed on protected surfaces during assembly to prevent any damage.
- During assembly do not over tighten, as this may damage the product.
- Please ensure you retain all the product packaging until the item completely assembled.
- Please periodically check all fittings and re-tighten as necessary.
- It is recommended that this item should be assembled by two adults.

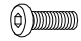
Part List

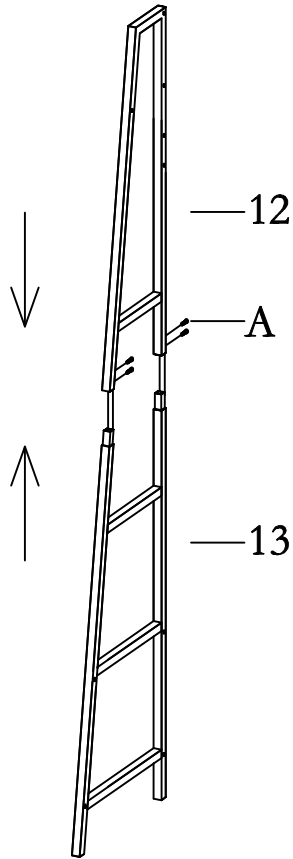
<p>1</p>  <p style="text-align: right;">Quantity of 1</p>	<p>2</p>  <p style="text-align: right;">Quantity of 2</p>	<p>3</p>  <p style="text-align: right;">Quantity of 1</p>	<p>4</p>  <p style="text-align: right;">Quantity of 1</p>
Connecting Bar	Connecting Bar	Seat Panel	Back Panel
<p>5</p>  <p style="text-align: right;">Quantity of 1</p>	<p>6</p>  <p style="text-align: right;">Quantity of 1</p>	<p>7</p>  <p style="text-align: right;">Quantity of 1</p>	<p>8</p>  <p style="text-align: right;">Quantity of 1</p>
Shelf Panel	Corner shelf	Corner shelf	Corner shelf
<p>9</p>  <p style="text-align: right;">Quantity of 1</p>	<p>10</p>  <p style="text-align: right;">Quantity of 1</p>	<p>11</p>  <p style="text-align: right;">Quantity of 1</p>	<p>12</p>  <p style="text-align: right;">Quantity of 1</p>
Corner shelf	Corner shelf	Wire Net	Left Upper Leg
<p>13</p>  <p style="text-align: right;">Quantity of 1</p>	<p>14</p>  <p style="text-align: right;">Quantity of 1</p>	<p>15</p>  <p style="text-align: right;">Quantity of 1</p>	<p>16</p>  <p style="text-align: right;">Quantity of 1</p>
Left lower Leg	Center Upper Leg	Center lower Leg	Right Upper Leg
<p>17</p>  <p style="text-align: right;">Quantity of 1</p>	<p>18</p>  <p style="text-align: right;">Quantity of 4</p>		
Right lower Leg	Hook		

Hardware List

<p>A</p>  <p style="text-align: right;">Quantity of 12</p>	<p>B</p>  <p style="text-align: right;">Quantity of 18</p>	<p>C</p>  <p style="text-align: right;">Quantity of 8</p>	<p>D</p>  <p style="text-align: right;">Quantity of 1</p>	<p>E</p>  <p style="text-align: right;">Quantity of 28</p>	<p>F</p>  <p style="text-align: right;">Quantity of 1</p>
Bolt	Bolt	Screw	4mm Allen Wrench	Bolt	3mm Allen Wrench


STEP 1:

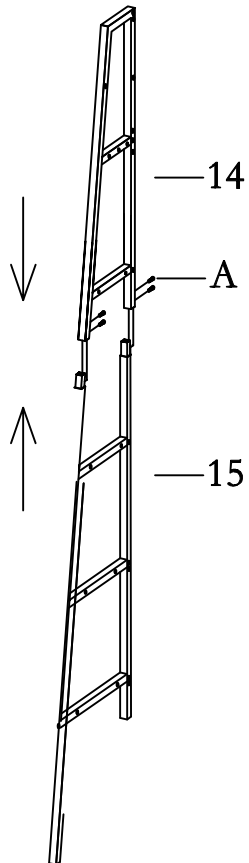
A  4 pcs



Assemble Left Upper Leg (12) to Left Lower Leg (13) using Bolts (A) as shown above.

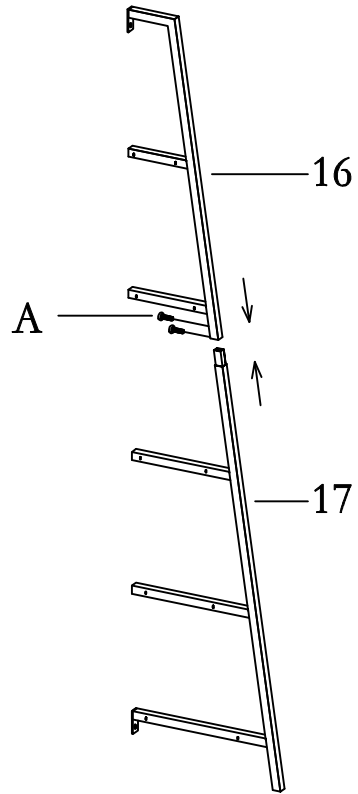
STEP 2:


A  4 pcs



Assemble Center Upper Leg (14) to Center Lower Leg (15) using Bolts (A) as shown above.

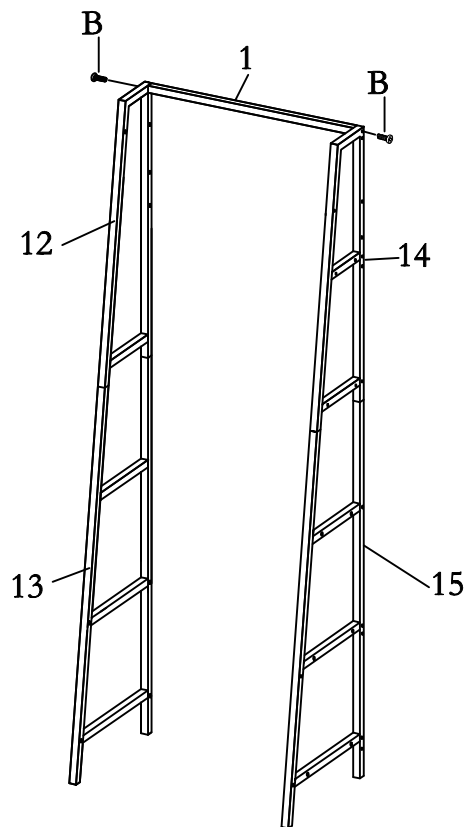
STEP 3:




A  2 pcs

Assemble Right Upper Leg (16) to Right Lower Leg (17) using Bolts (A) as shown above.

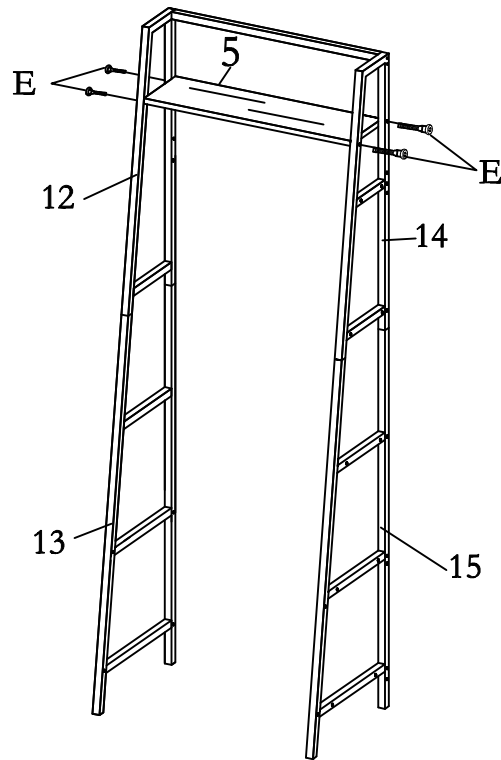
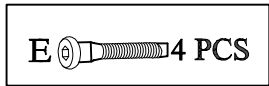
STEP 4:



B  2 pcs

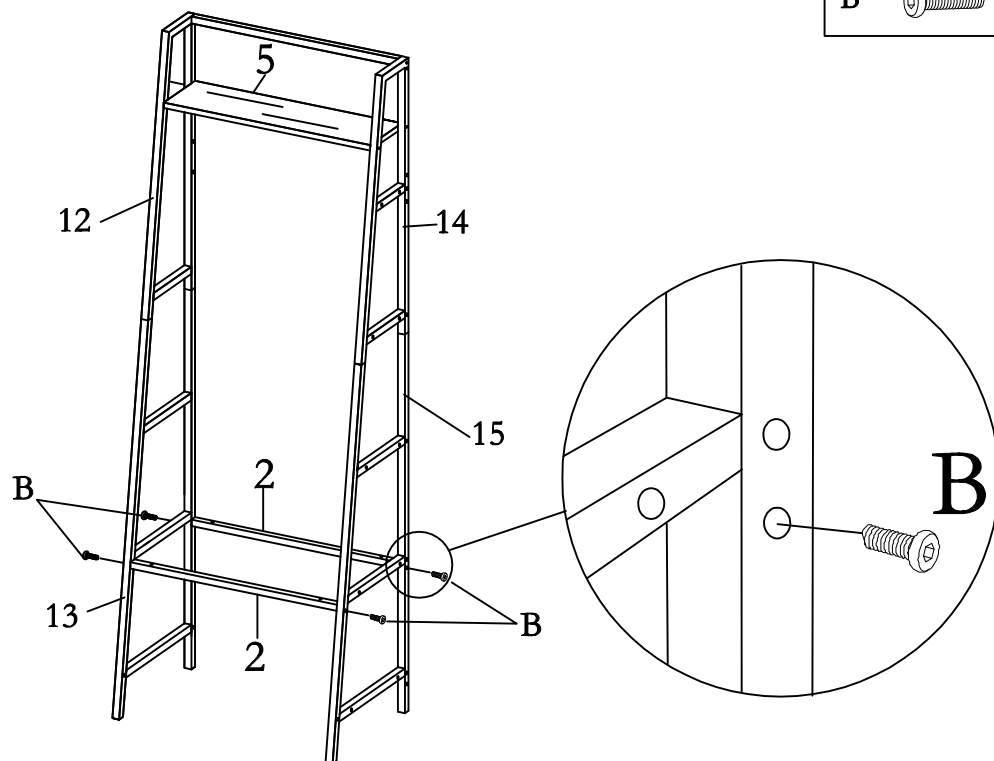
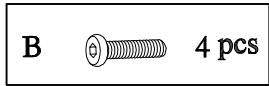
Assemble Connecting Bar (1) to Left Upper Leg (12) to Center Upper Leg (14) using Bolts (B) as shown above.

STEP 5:




Assemble Shelf Panel (5) to Left Upper Leg (12) to Center Upper Leg (14) using Bolts (E) as shown above.

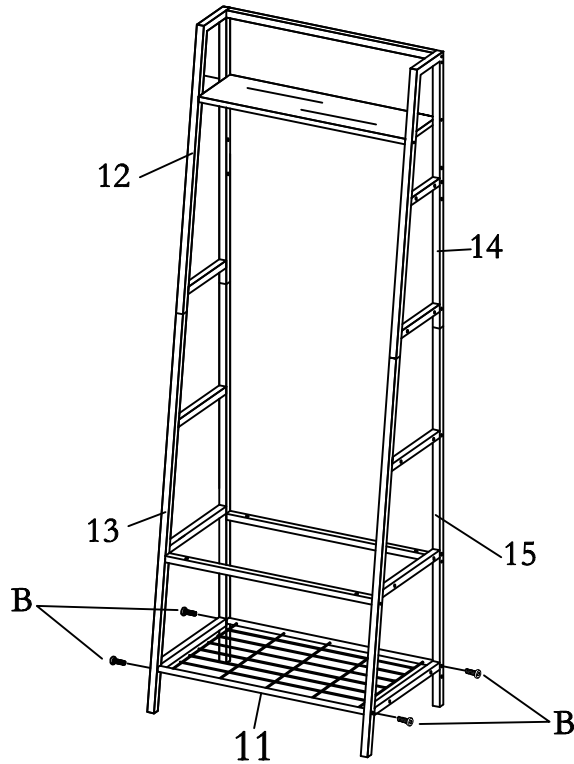
STEP 6:



Assemble Connecting Bars (2) to Left Lower Leg (13) and Center Lower Leg (15) using Bolts (B) as shown above.



STEP 7:

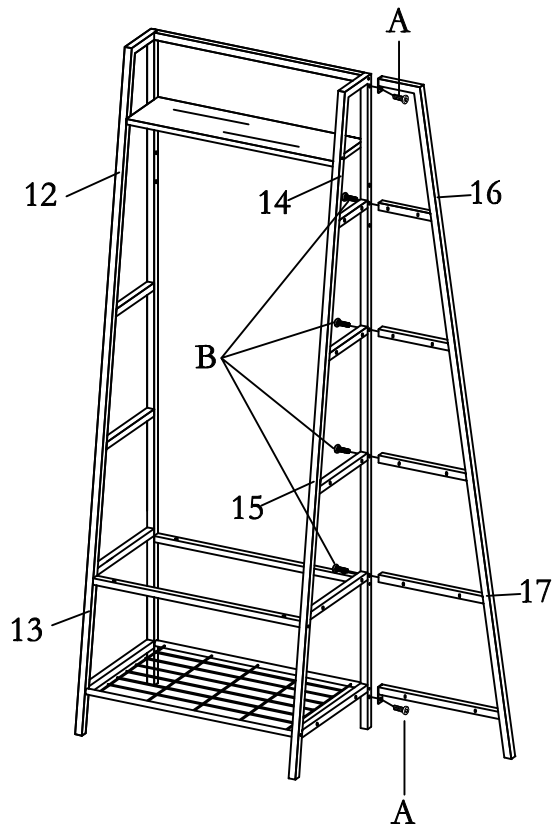
B  **4 pcs**



Assemble Wire Net (11) to Left Lower Leg (13) and Center Lower Leg (15) using Bolts (B) as shown above.

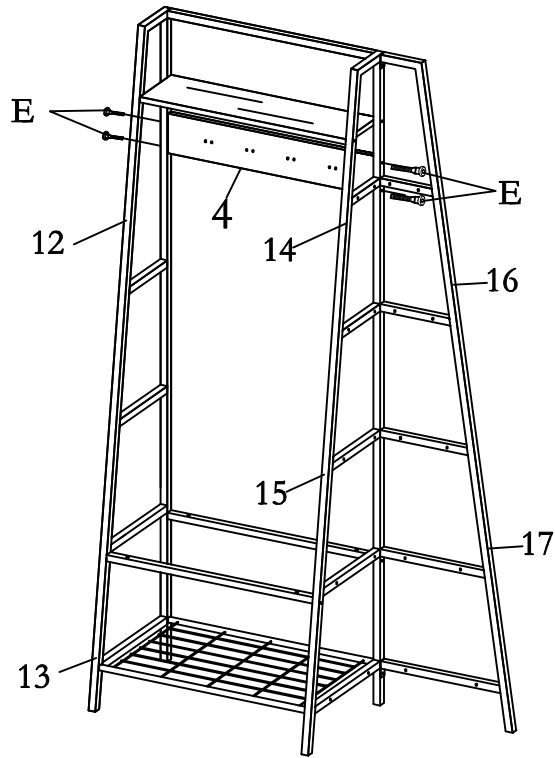
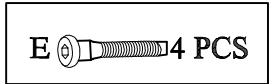
STEP 8:

A  **2 pcs**
B  **4 pcs**



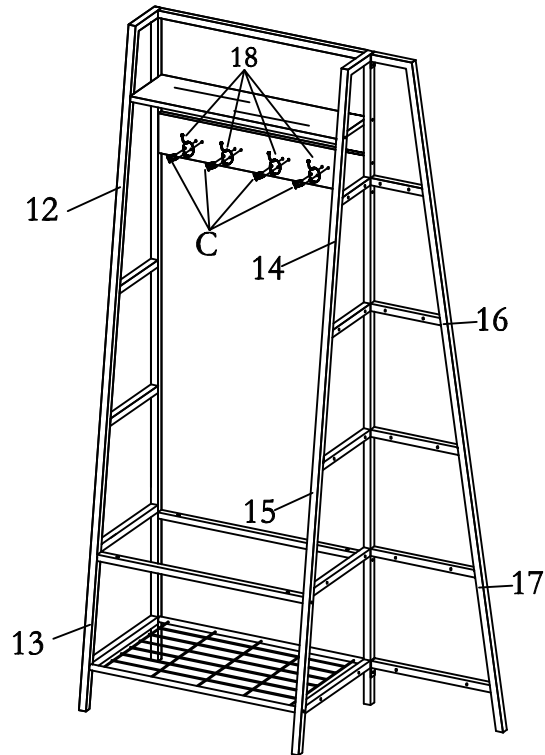
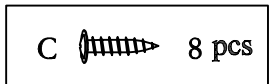
Assemble Right Upper Leg (16) & Right Lower Leg (17) to Center Legs (15) & (16) using Bolts (A)&(B) as shown above.

STEP 9:



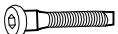
Assemble Back Panel (4) to Left Upper Leg (12) to Center Upper Leg (14) using Bolts (E) as shown above.

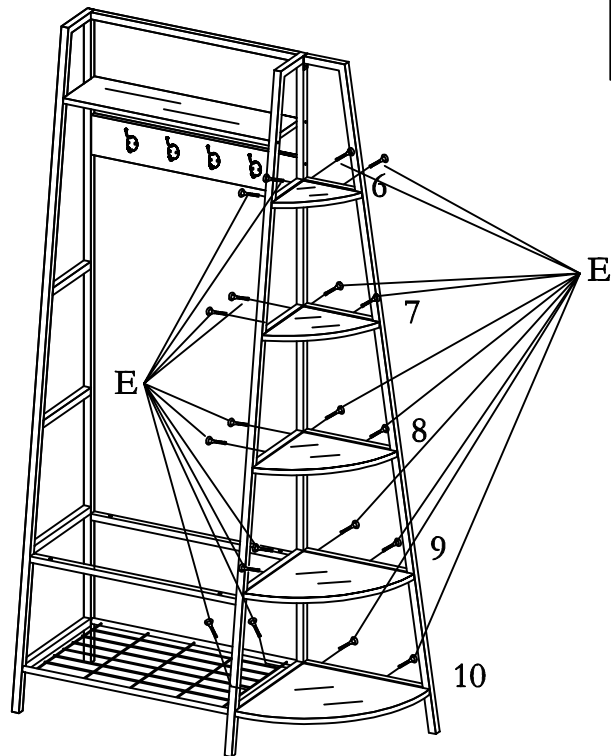
STEP 10:



Assemble Hook (18) to Back Panel (4) using Screws (C) as shown above.


STEP 11:

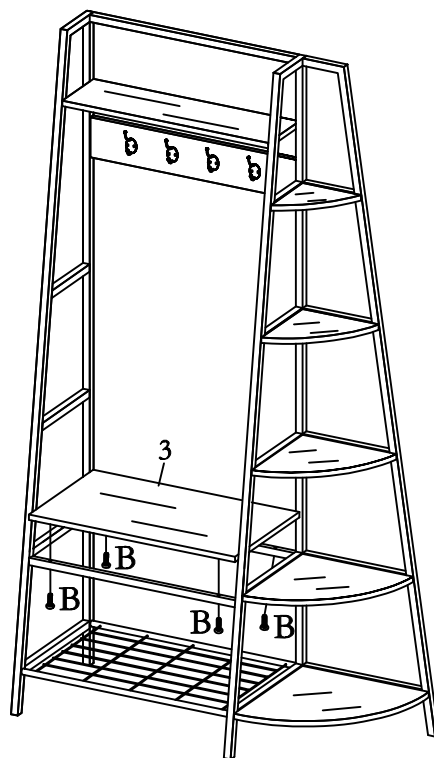
E  **20 PCS**



Assemble Corner Shelves (6) & (7) & (8) & (9) & (10) to Right Legs (16) & (17) and Center Leg (14) & (15) using Bolts (E) as shown above.

STEP 12:

B  **4 PCS**



Assemble Seat Panel (3) to Connecting Bars (2) using Bolts (B) as shown above.