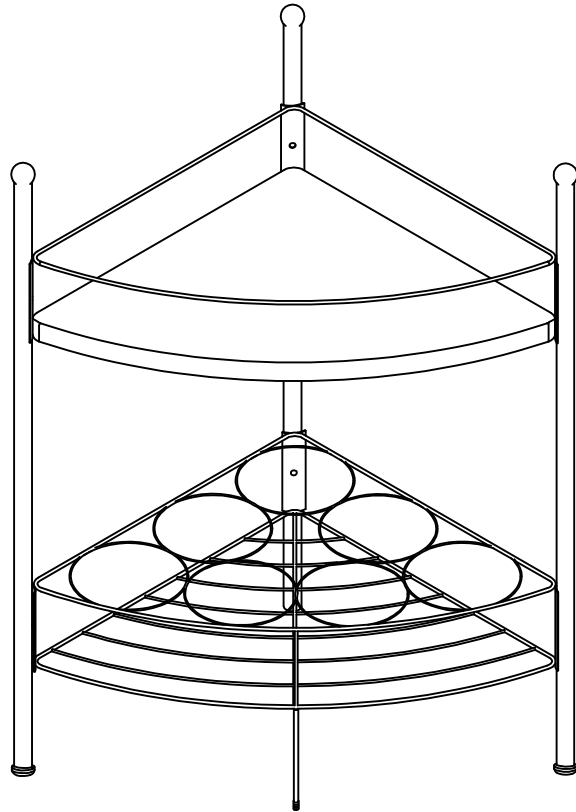


ASSEMBLY INSTRUCTIONS


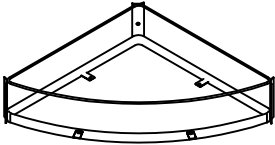
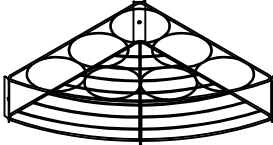
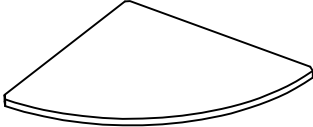
Wine Rack







NOTE TO CUSTOMERS:

- For ease and speed of assembly we recommend that before you commence each step of the assembly that you identify all the parts required to complete that step.
- We recommend that where possible you allow sufficient space to assemble the item as close as possible to the place where it will be once assembled.
- For the protection of your furniture we recommend that the product is placed on protected surfaces during assembly to prevent any damage.
- During assembly do not over tighten, as this may damage the product.
- Please ensure you retain all the product packaging until the item completely assembled.
- Please periodically check all fittings and re-tighten as necessary.
- It is recommended that this item should be assembled by two adults.


Part List

<p>A1. Quantity of 2</p>  <p>Leg</p>	<p>A2. Quantity of 1</p>  <p>Top Frame</p>	<p>A3. Quantity of 1</p>  <p>Wine Rack</p>	<p>A4. Quantity of 1</p>  <p>Wood Panel</p>
---	---	--	--

Hardware List:

<p>B1. Quantity of 6</p>  <p>Bolt</p>	<p>B2. Quantity of 4</p>  <p>Screw</p>	<p>B3. Quantity of 1</p>  <p>Support Leg</p>	 <p>Allen Wrench</p>
---	--	--	--

STEP 1

B1  6pcs

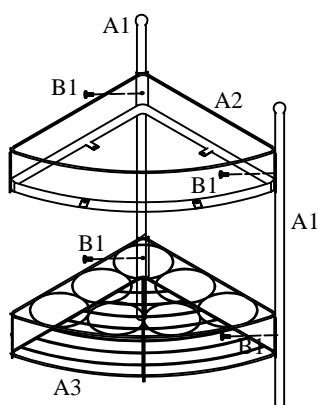


Fig.1.

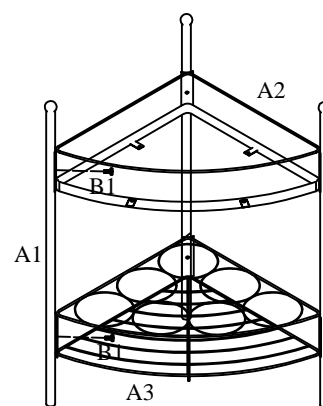
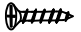



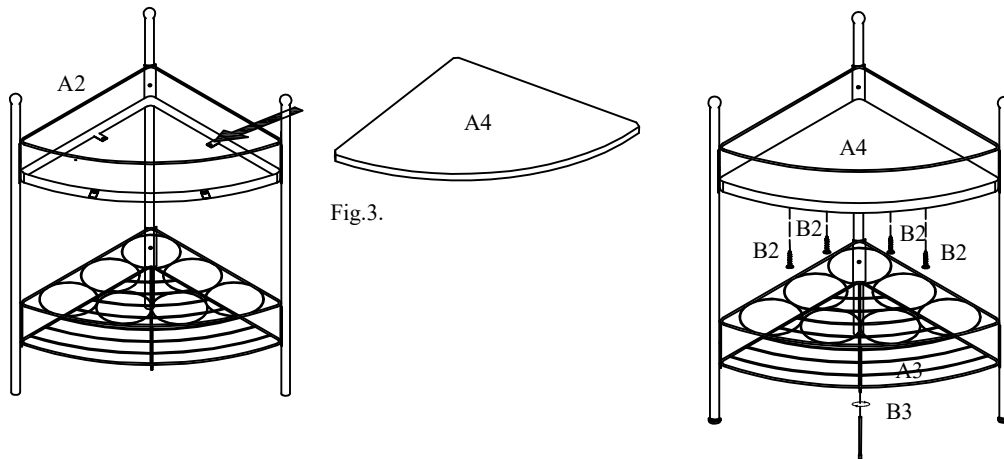
Fig.2.

- 1). Assemble Top Frame (A2) and Wine Rack (A3) to Legs (A1) using Bolts (B1), refer to Fig.1.
- 2). Then repeat above step to assemble the other Leg (A1),refer to Fig.2.

Note:Please do not tighten bolts (B1) until step 2.

STEP 2

B2		4pcs
B3		1pcs



- 1). Insert Wood Shelf (A4) from the side of Top Frame (A2) refer to Fig.3. Then assemble Shelf (A4) to Top Frame (A2) using Screws B2 .
- 2). Tighten Support Leg (B3) to bottom of Wine Rack (A3) as shown above.
- 3). Please tighten all bolts at this point.