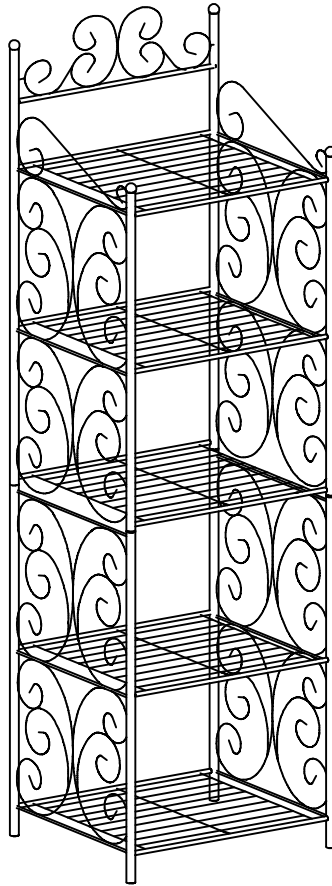


# ASSEMBLY INSTRUCTIONS

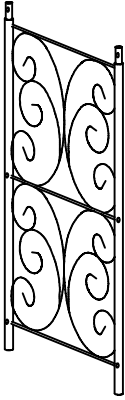
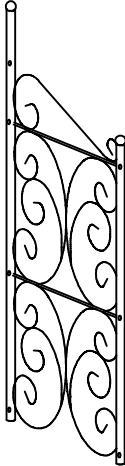
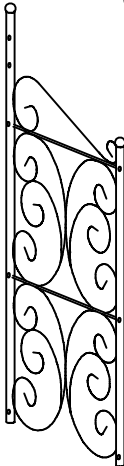
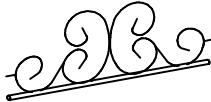
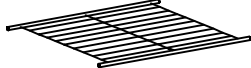
## Bathroom Rack





### NOTE TO CUSTOMERS:

- For ease and speed of assembly we recommend that before you commence each step of the assembly that you identify all the parts required to complete that step.
- We recommend that where possible you allow sufficient space to assemble the item as close as possible to the place where it will be once assembled.
- For the protection of your furniture we recommend that the product is placed on protected surfaces during assembly to prevent any damage.
- During assembly do not over tighten, as this may damage the product.
- Please ensure you retain all the product packaging until the item completely assembled.
- Please periodically check all fittings and re-tighten as necessary.
- It is recommended that this item should be assembled by two adults.

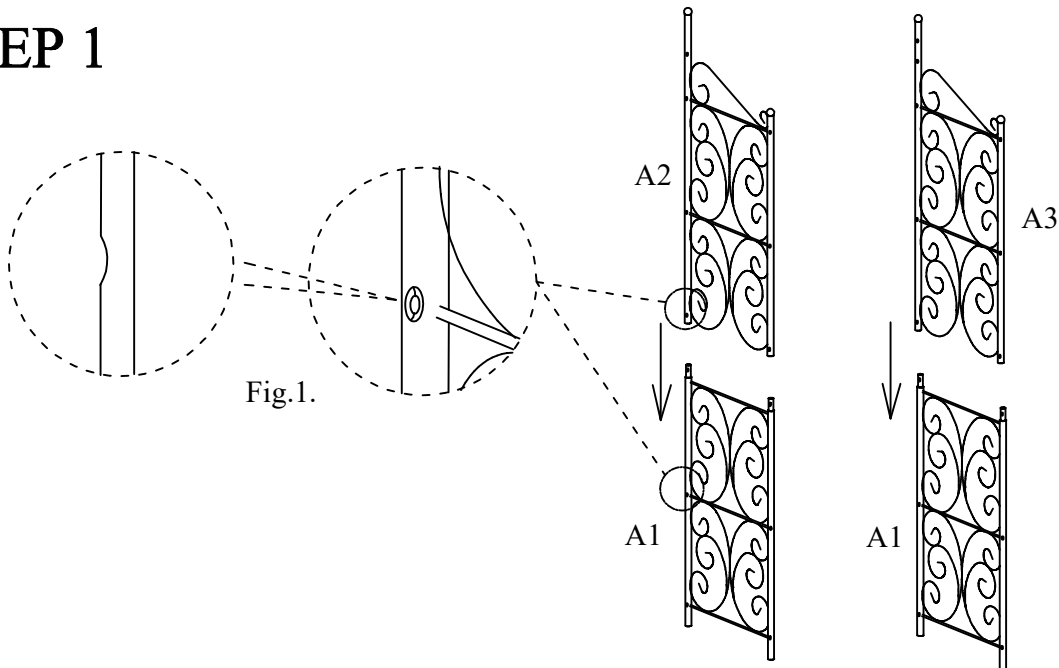
# Part List

<p>A1. Quantity of 2</p>  <p style="text-align: center;">Lower Side Frame</p>	<p>A2. Quantity of 1</p>  <p style="text-align: center;">Upper Left Side Frame</p>	<p>A3. Quantity of 1</p>  <p style="text-align: center;">Upper Right Side Frame</p>	<p>A4. Quantity of 1</p>  <p style="text-align: center;">Top Frame</p> <hr/> <p>A5. Quantity of 5</p>  <p style="text-align: center;">Net Rack</p>
--	---	---	--

## Hardware List:



<p>B1. Quantity of 22</p>  <p style="text-align: center;">Bolt</p>	<p>B2. Quantity of 22</p>  <p style="text-align: center;">Plastic Block</p>
---	--

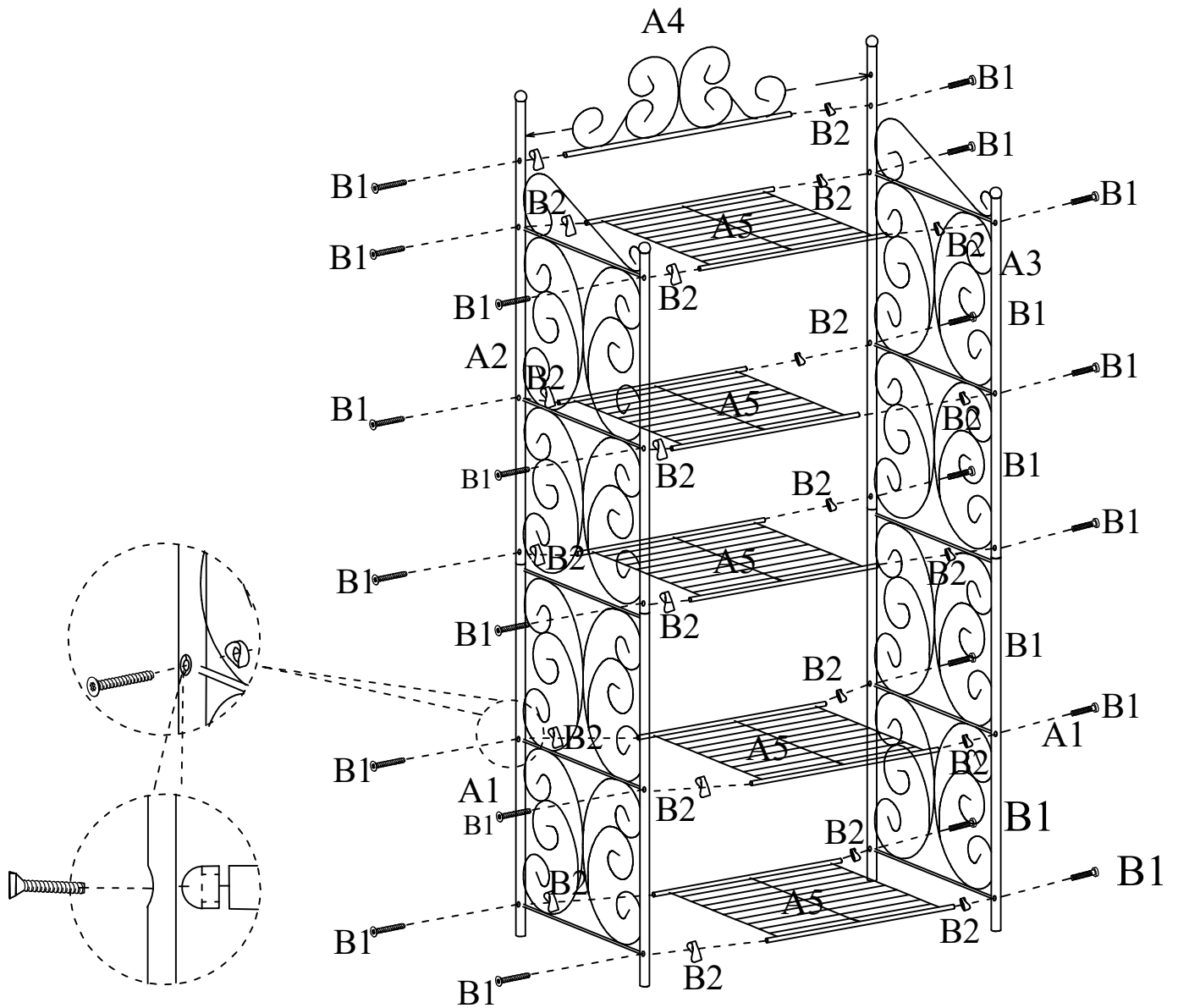
### STEP 1



Insert Upper Left Side Frame A2 and Upper Right Side Frame A3 into the Lower Side Frame A1 as shown above (Please make sure the large holes on both A1 & A2 are on the same side when assembling them. refer to Fig.1. repeat for A1 & A3.)

# STEP 2

B1		22pcs
B2		22pcs



Assemble Net Rack A5 & Top Frame A4 to Side Frames A1&A2&A3 using Bolts B1 and Plastic Block B2 as shown above.

Note: Do not tighten bolts B1 until all of them are attached. Also please make sure the large holes on side frames A1 & A2 & A3 are facing outwards when assembling Net racks A5 to Side Frames, refer to Fig.2.)