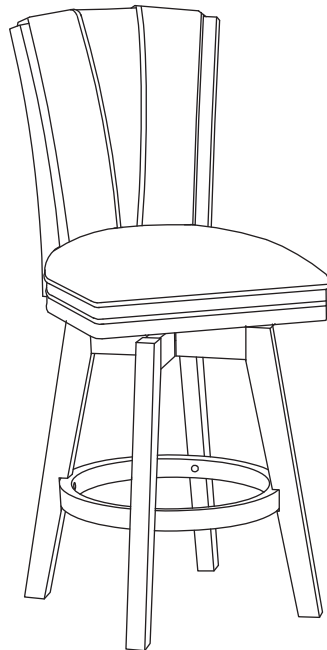
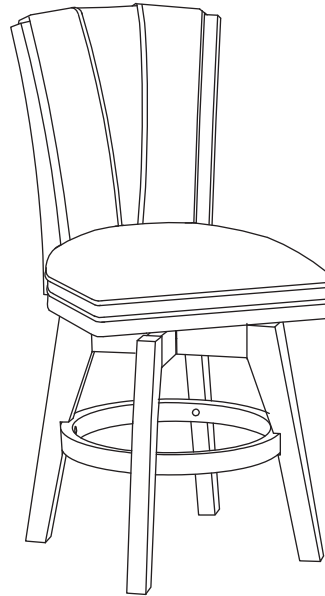


ASSEMBLY INSTRUCTIONS

STOOLS



#ST7634

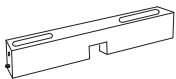
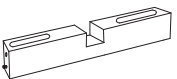
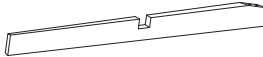
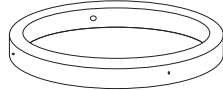



#ST7633

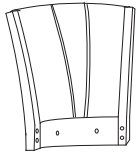
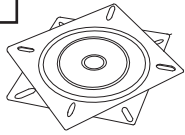
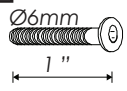
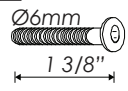
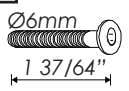
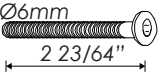
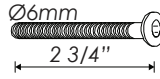



NOTE TO CUSTOMERS:


- For ease and speed of assembly we recommend that before you commence each step of the assembly that you identify all the parts required to complete that step.
- We recommend that where possible you allow sufficient space to assemble the item as close as possible to the place where it will be once assembled.
- For the protection of your furniture we recommend that the product is placed on protected surfaces during assembly to prevent any damage.
- During assembly do not over tighten the screws or bolts, as this may damage the product.
- Please ensure you retain all the product packaging until the item is completely assembled.
- Periodically check all fitting and re-tighten as necessary.
- Never allow any liquids to remain on your furniture as absorption can cause the wood to warp or finish to de-laminate.
- It is recommended that this item should be assembled by two adults.

PARTS IDENTIFICATION (quantity for 1 chair)

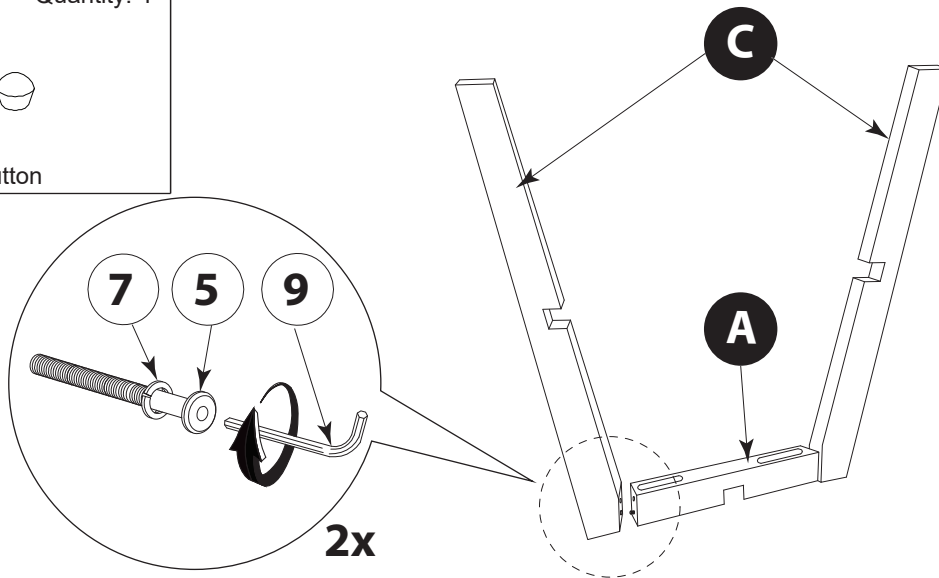
A Quantity: 1  Cross Bar (Up)	B Quantity: 1  Cross Bar (Down)	C Quantity: 4  Legs	D Quantity: 1  Stretcher	E Quantity : 1  Chair Seat with Frame
---	---	---	---	---

HARDWARE IDENTIFICATION (quantity for 1 chair)

F Quantity: 1  Chair Back								
1 Quantity: 1  Swivel Plate	2 Quantity: 8  JCBB Bolt m6 x 25mm	3 Quantity: 4  JCBC Bolt m6 x 35mm	4 Quantity: 2  JCBC Bolt m6 x 40mm	5 Quantity: 4  JCBC Bolt m6 x 50mm	6 Quantity: 4  JCBC Bolt m6 x 60mm	7 Quantity: 10  Spring Washer 1/4"	8 Quantity: 6  Flat Washer 1/4"	9 Quantity: 1  Allen Key

10 Quantity: 4  Wood Button

STEP 1



STEP 2

