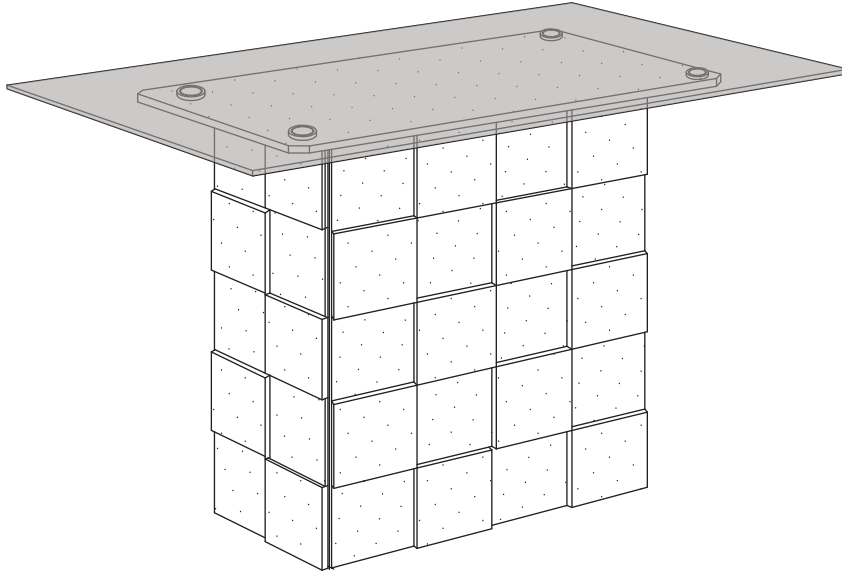


ASSEMBLY INSTRUCTIONS

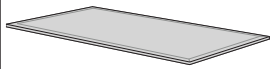
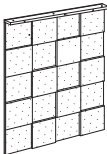
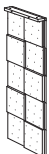

COUNTER HEIGHT DINING TABLE



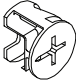

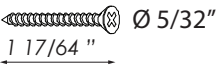
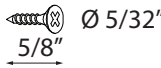
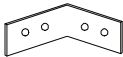



NOTE TO CUSTOMERS:

- For ease and speed of assembly we recommend that before you commence each step of the assembly that you identify all the parts required to complete that step.
- We recommend that where possible you allow sufficient space to assemble the item as close as possible to the place where it will be once assembled.
- For the protection of your furniture we recommend that the product is placed on a dry, soft, smooth and clean surfaces during assembly to prevent any damage. Avoid damp and direct sunlight.
- During assembly do not over tighten the screws or bolts, as this may damage the product.
- Please ensure you retain all the product packaging until the item is completely assembled.
- Periodically check all fitting and re-tighten as necessary.
- Never allow any liquids to remain on your furniture as absorption can cause the wood to warp or finish to de-laminate.
- It is recommended that this item should be assembled by two adults.

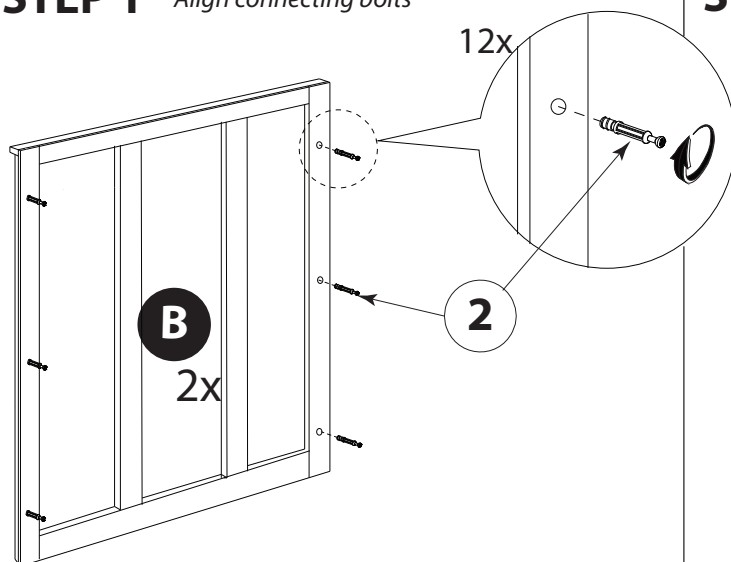
PARTS IDENTIFICATION

CARTON A	A Quantity: 1	CARTON B	B Quantity: 2	C	Quantity: 2	D	Quantity: 1
							
	Glass Table Top		Pedestal Panel (Large)		Pedestal Panel (Small)		Mounting Panel

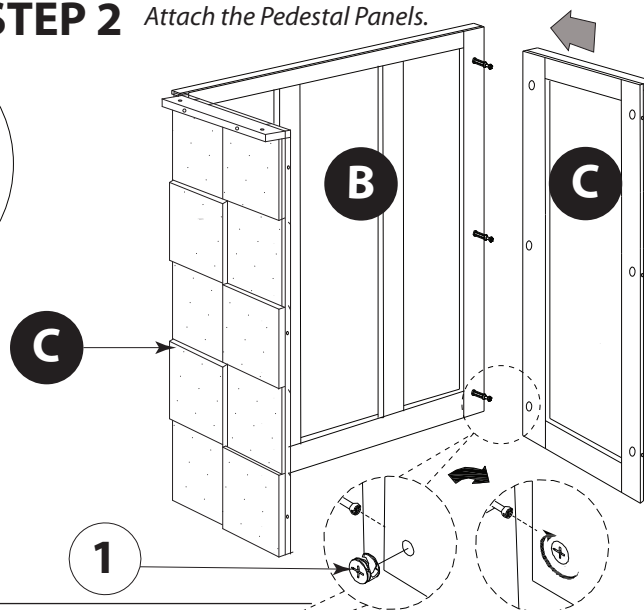
HARDWARE LIST

1 Quantity: 12	2 Quantity: 12	3 Quantity: 10	4 Quantity: 32	5 Quantity: 8
				
Camlock	Connecting Bolts	CSK Screw m4 x 32	CSK Screw m4 x 16	Metal Bracket
6 Quantity: 4	7 Quantity: 4	TOOLS REQUIRED		
				
Alum. Disc Glass Top adapter.	Bolt for Alum. Disc			

STEP 1 *Align connecting bolts*

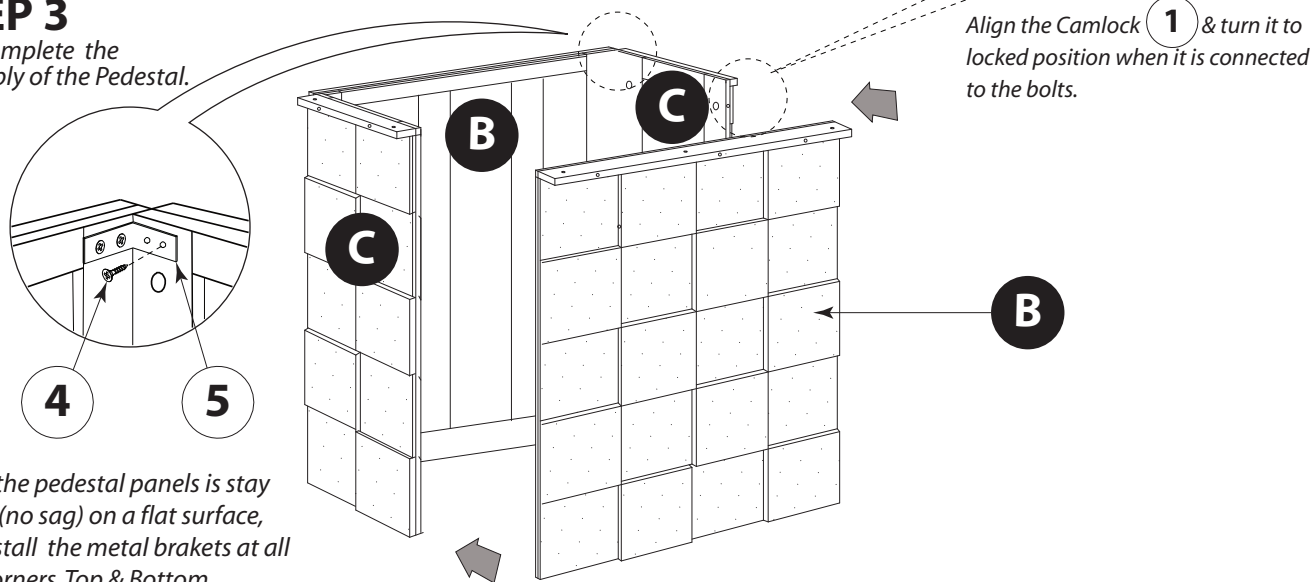


STEP 2 *Attach the Pedestal Panels.*



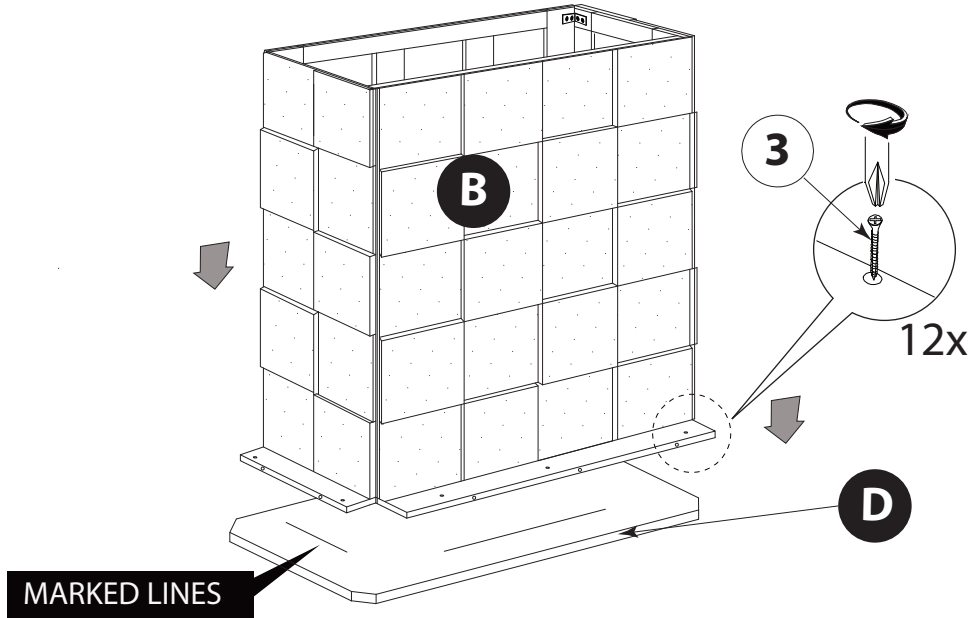
STEP 3

Let's complete the assembly of the Pedestal.



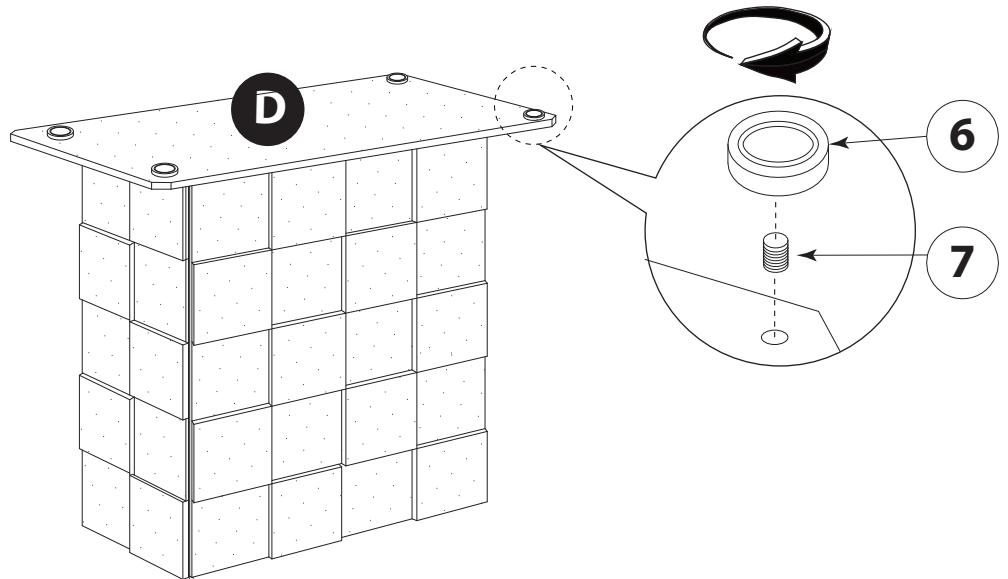
Ensure the pedestal panels stay leveled (no sag) on a flat surface, then install the metal brackets at all eight corners, Top & Bottom.

STEP 4

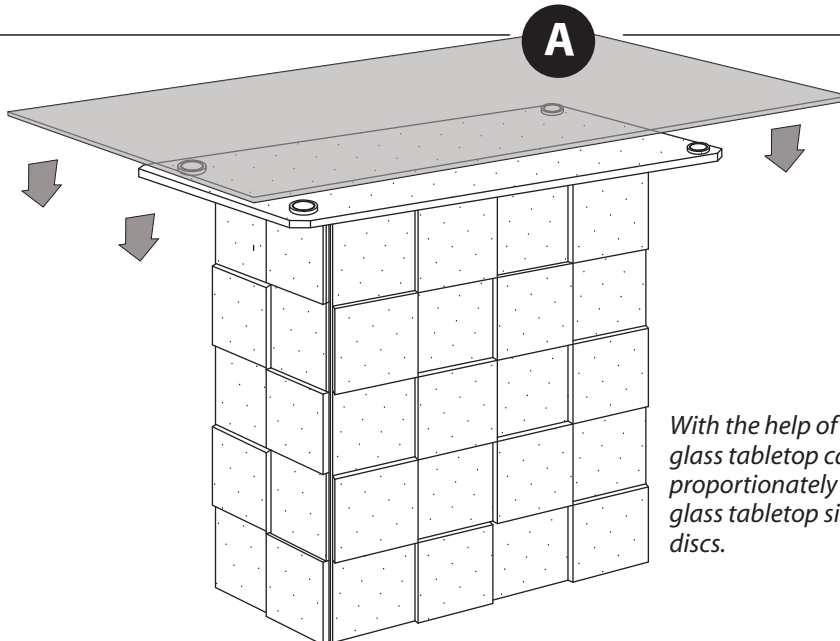


Turn the pedestal upside down, attach the pedestal to the mounting panel within the marked lines, align screws, and tighten them. Make sure all screws and connecting bolts are fully tightened before turning the table base upright, by two adults or more.

STEP 5



STEP 6



With the help of at least two adults, lift the glass tabletop carefully, and place it proportionately onto the pedestal so that the glass tabletop sits firmly on the aluminium discs.