

NOTE : DO NOT FULLY TIGHTEN SCREWS UNTIL FULLY ASSEMBLED






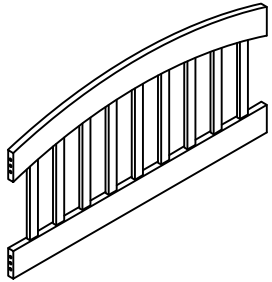


SAFETY WARNINGS

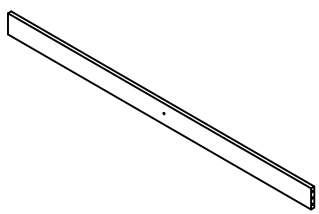
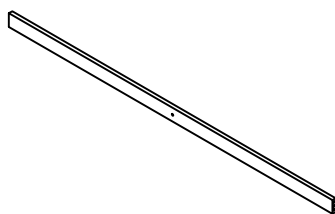
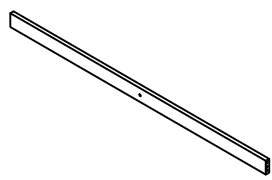


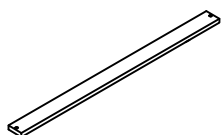
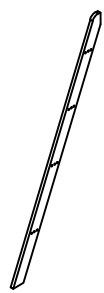
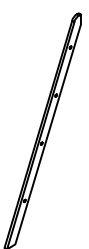
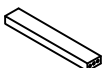
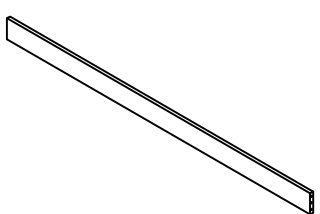
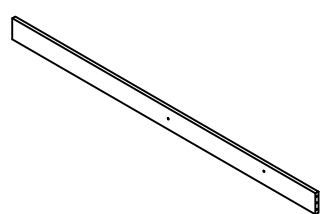
1. Follow the information on the warning label appearing on the upper bunk end structure and on the carton... **Do not remove warning label from bed.**
2. Always use the recommended size mattress or mattress support, or both, to help prevent the likelihood of entrapment or falls.
3. Surface of mattress must be at least 5 inches below the upper edge of guard rails.
4. Do not allow children under 6 years to use the upper bunk.
5. Prohibit more than one person on upper bunk.
6. Periodically check and ensure that the guardrail, ladder, and other components are in their proper position, free from damage, and that all connectors are tight.
7. Do not allow horseplay on or under the bed and prohibit jumping on the bed.
8. Always use the ladder for entering and leaving upper bunk.
9. Do not use substitute part. Contact the manufacturer or dealer for replacement part.
10. Use of night light may provide added safety precaution for a child using the upper bunk.
11. If the bunk bed will be placed next to a wall, the guardrail that runs the full length of the bed should be placed against the wall to prevent entrapment between the bed and the wall.
12. Always use guardrail on both long sides of the upper bunk.
13. The use of water or sleep flotation mattresses is prohibited.
14. Keep these instruction for future reference.
15. Strangulation Hazard - Never attach or hang items to any part of the bunk bed that are not designed for use with the bed, for example, but not limited to hooks, belts and jump rores.
16. **Trundle : Only use for mattress 6 inch.**

Note : Do Not Fully Tighten Screws until Fully Assembled

Box 1 (A + B + C+D+E+F)





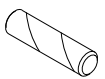

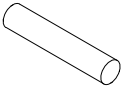
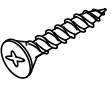






<p>A</p>  <p>Bottom posts 2pcs</p>	<p>B</p>  <p>Bottom posts 2pcs</p>	<p>C</p>  <p>Upper ports 2pcs</p>	<p>D</p>  <p>Upper ports 1pc</p>
<p>E</p>  <p>Upper ports 1pc</p>	<p>F</p>  <p>Headboard panel 4pcs</p>		

Box 2 (I+J+K+L+M+N+O+P+Q+G+H)

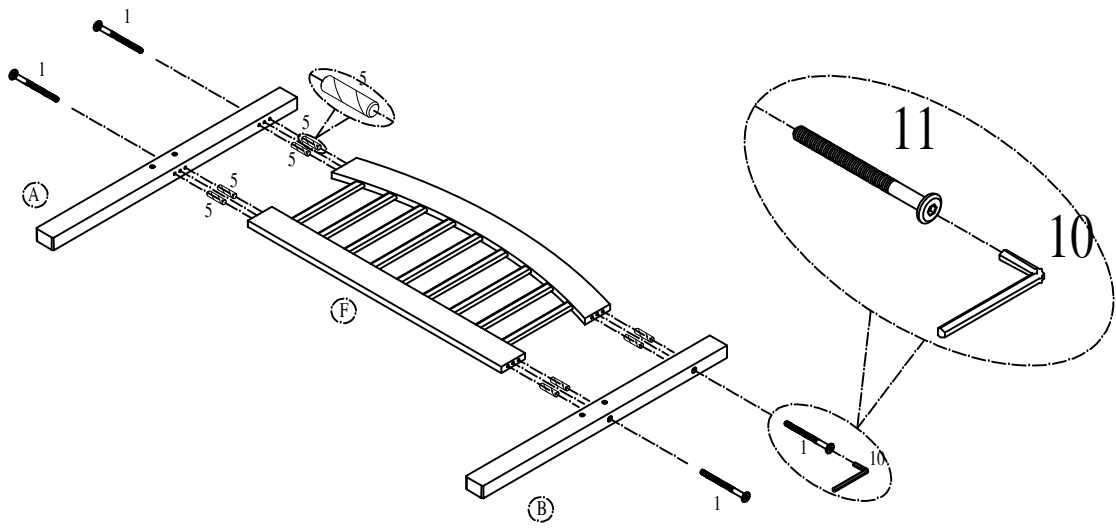
<p>I</p>  <p>Back upper side rail 1pc</p>	<p>J</p>  <p>Back guardrail bar 2pcs</p>	<p>K</p>  <p>Front guardrail bar 2pcs</p>	<p>L</p>  <p>Front side guardrail bar 1pc</p>
<p>M</p>  <p>Guardrail reinforce bar 2pcs</p>	<p>N</p>  <p>Slats 12 pcs</p>	<p>O</p>  <p>Ladder left side rail 1pc</p>	<p>P</p>  <p>Ladder Right side rail 1pc</p>
<p>Q</p>  <p>Ladder step 4pcs</p>	<p>G</p>  <p>Bottom side rail 2pcs</p>	<p>H</p>  <p>Front upper side rail 1pc</p>	

Note : Do Not Fully Tighten Screws until Fully Assembled

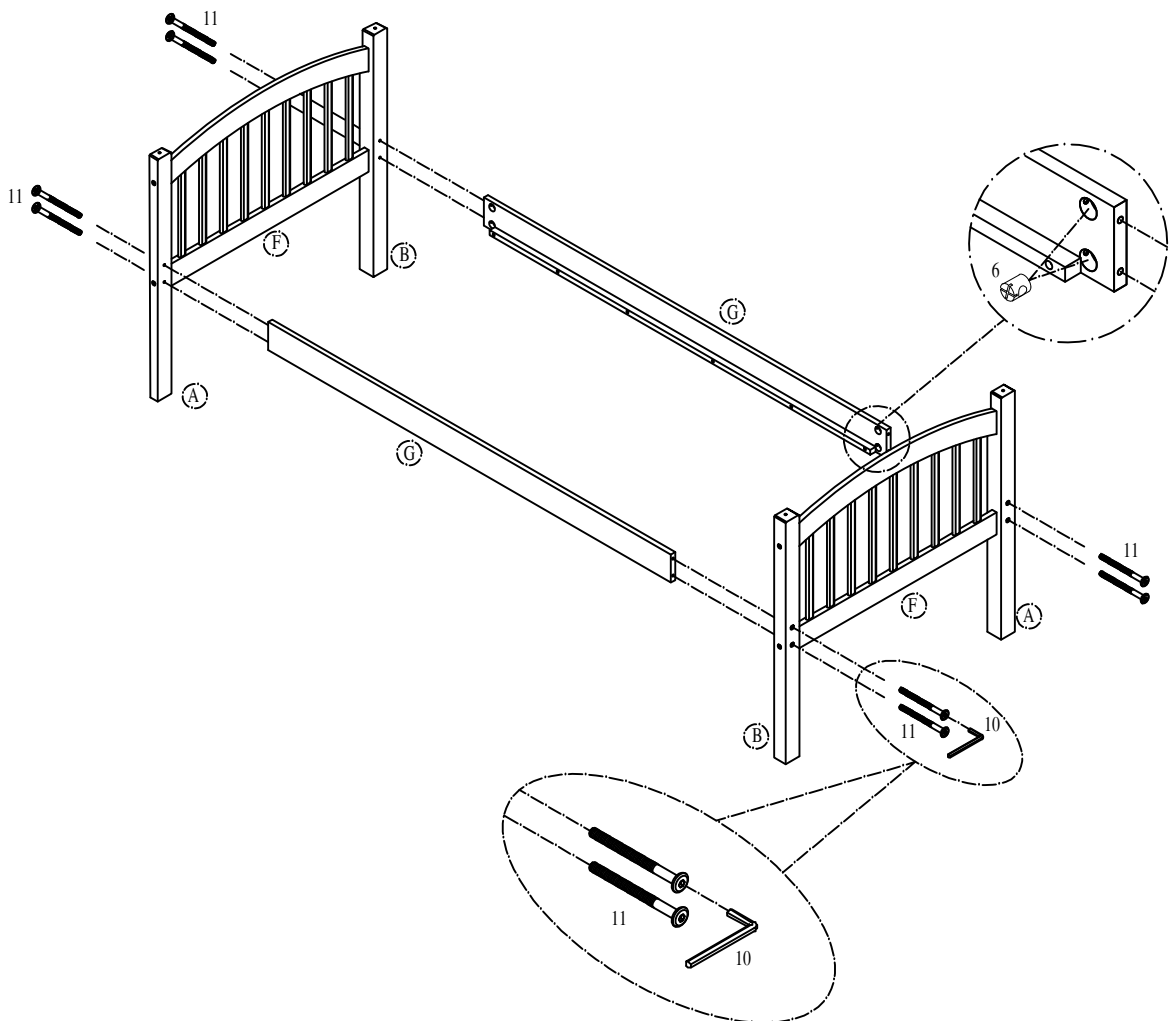
Packed in Box 1

<p>1</p>  <p>Ø15 x 1/4" x 100 mm Hex-Head bolts 16pcs</p>	<p>2</p>  <p>Ø15 x 1/4" x 30 mm Hex-Head bolts 6 pcs</p>	<p>3</p>  <p>Ø15 x 1/4" x 50 mm Hex-Head bolts 8pcs</p>	<p>4</p>  <p>Ø15 x 1/4" x 65 mm Hex-Head bolts 2pcs</p>	<p>5</p>  <p>Ø8 x 30 mm Wood dowel 64pcs</p>
<p>6</p>  <p>Ø 1/4" x 10 x 12mm Horizontal-Hole bolts 24 pcs</p>	<p>7</p>  <p>Ø10 x 90 mm Stell dowel 4pcs</p>	<p>8</p>  <p>M4 x 35 mm Wood Screws 24 pcs</p>	<p>9</p>  <p>M4 x 15 mm Wood Screws 6pcs</p>	<p>10</p>  <p>Allen Key 2 pcs</p>
<p>11</p>  <p>Ø15 x 1/4" x 85 mm Hex-Head bolts 22 pcs</p>	<p>12</p>  <p>Extra reinforcing metal 2pcs</p>	<p>13</p>  <p>Ø15 x 1/4" x 45 mm Hex-Head bolts: 1 Pc</p>	<p>14</p>  <p>Ø13 x Ø7.8 x 1/4" x 20 mm Nut: 1 Pc</p>	

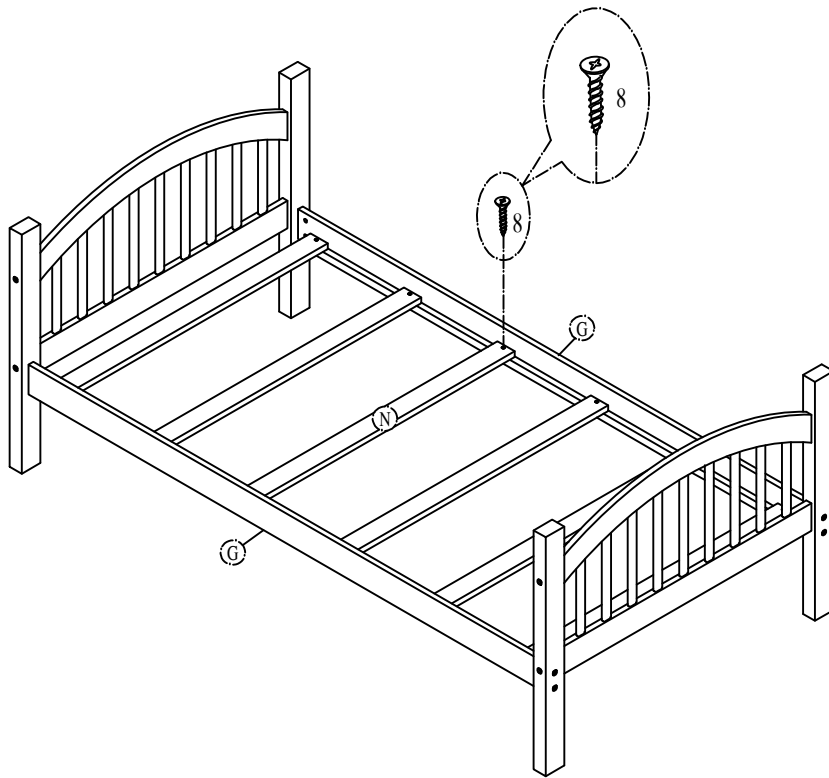
Step 1



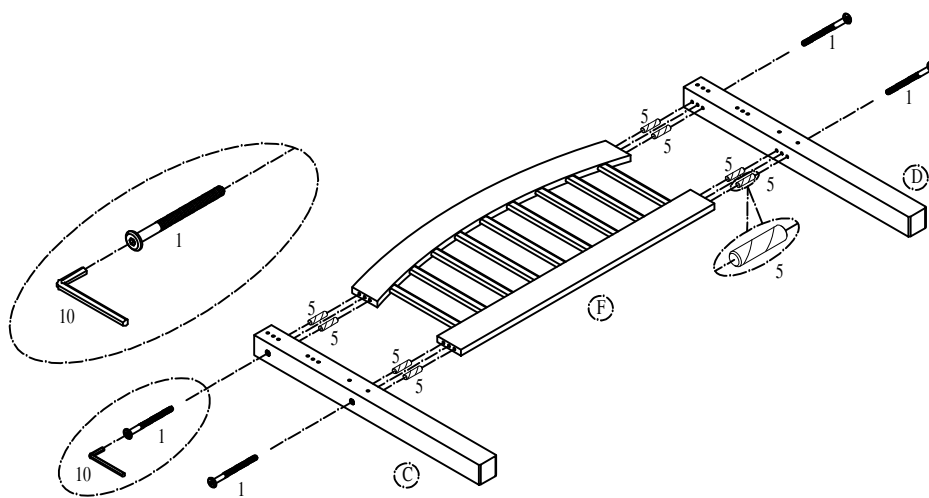
Step 2



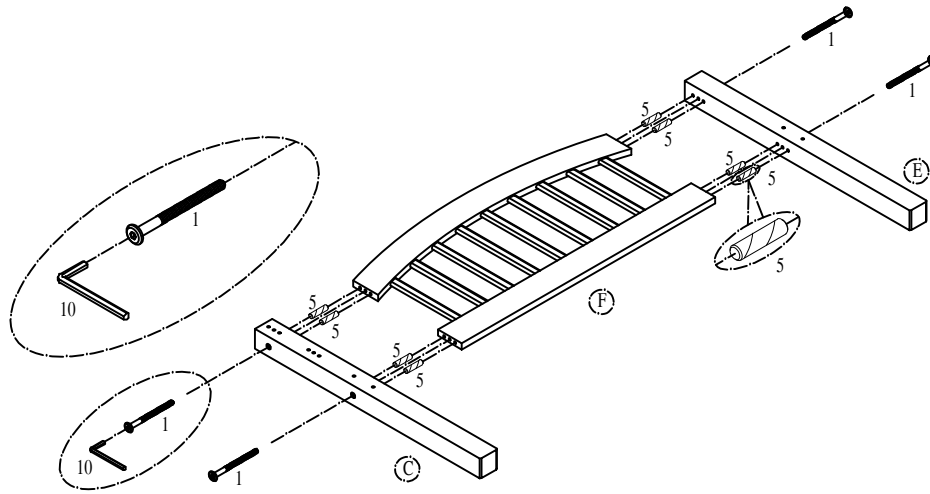
Step 3



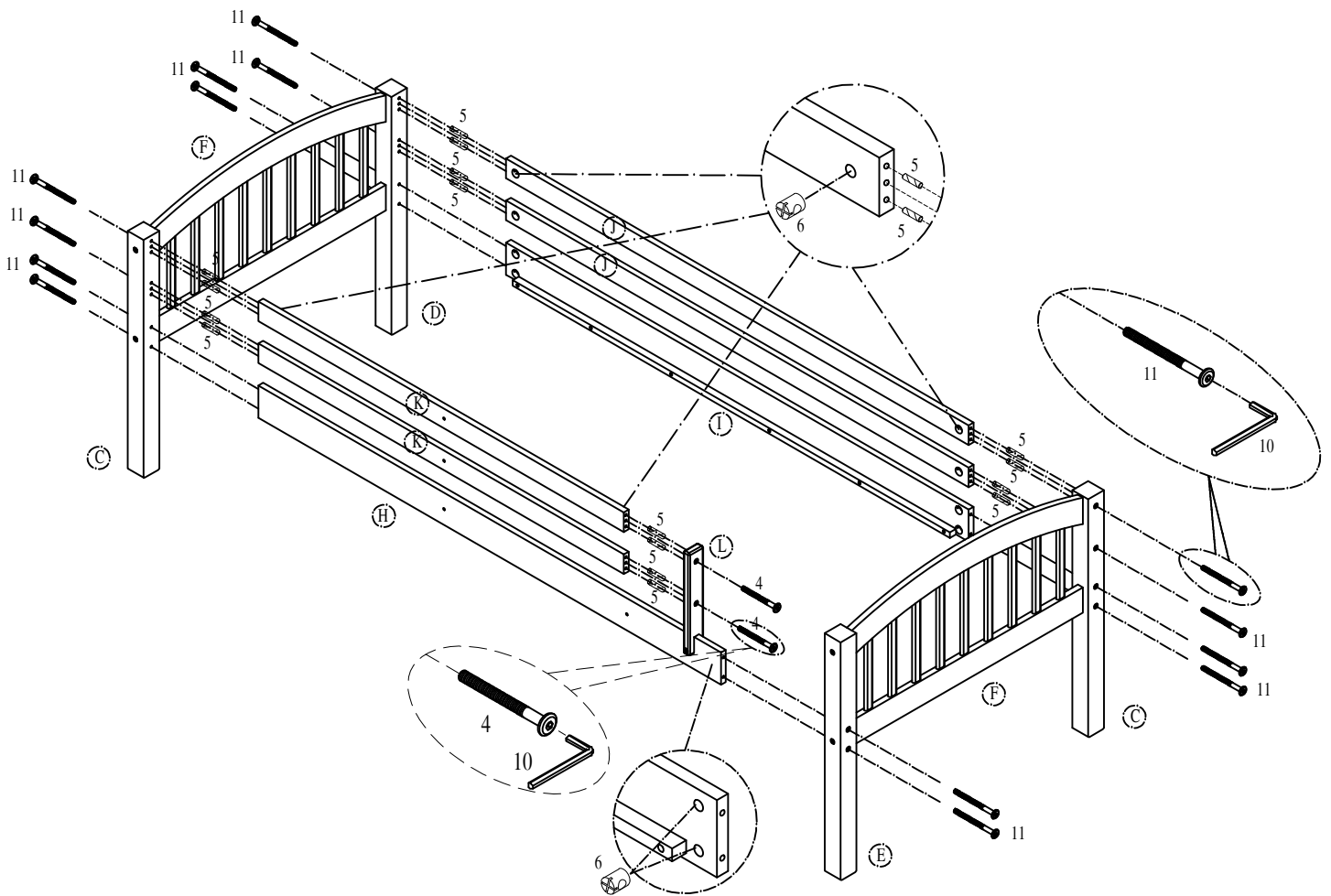
Step 4



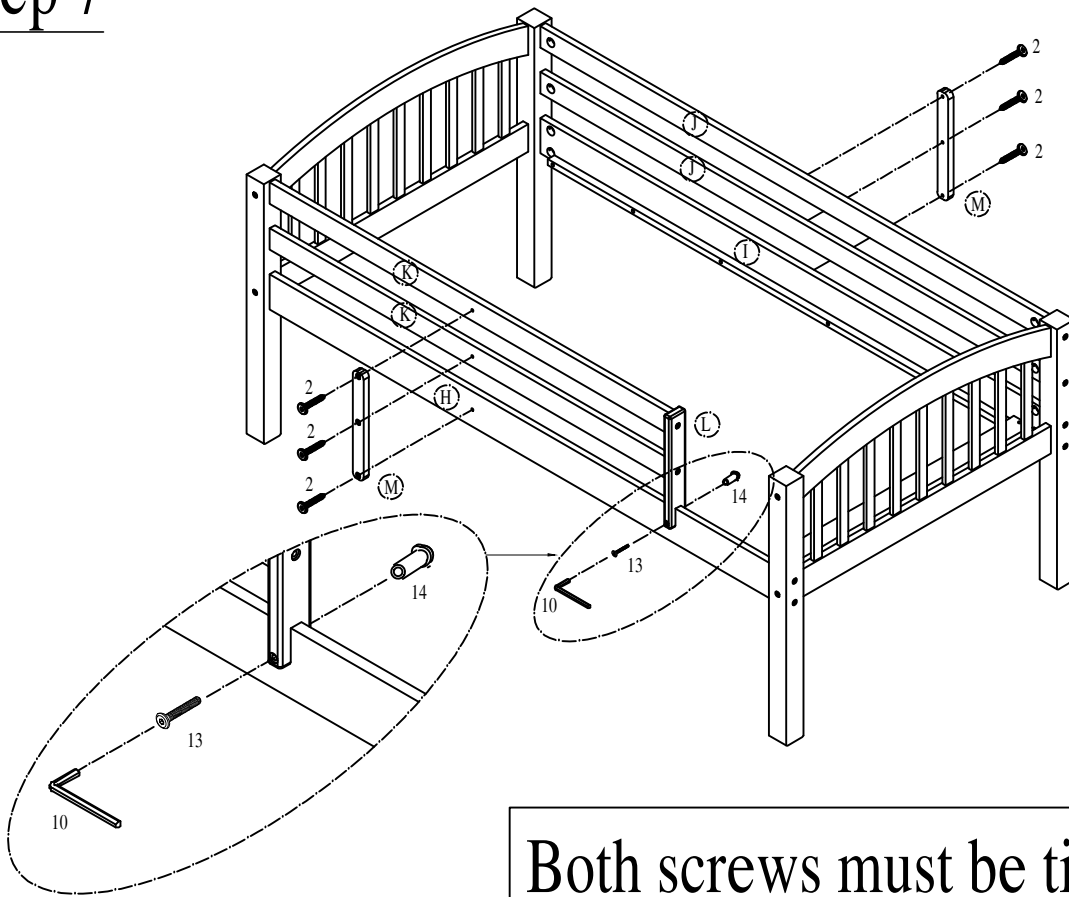
Step 5



Step 6

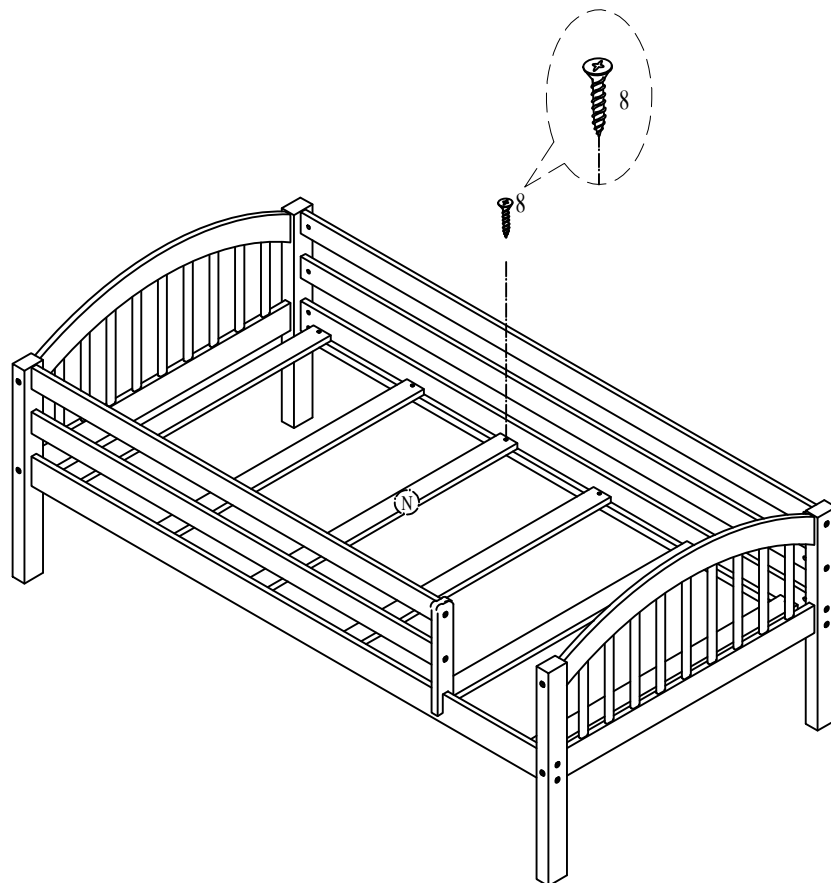


Step 7

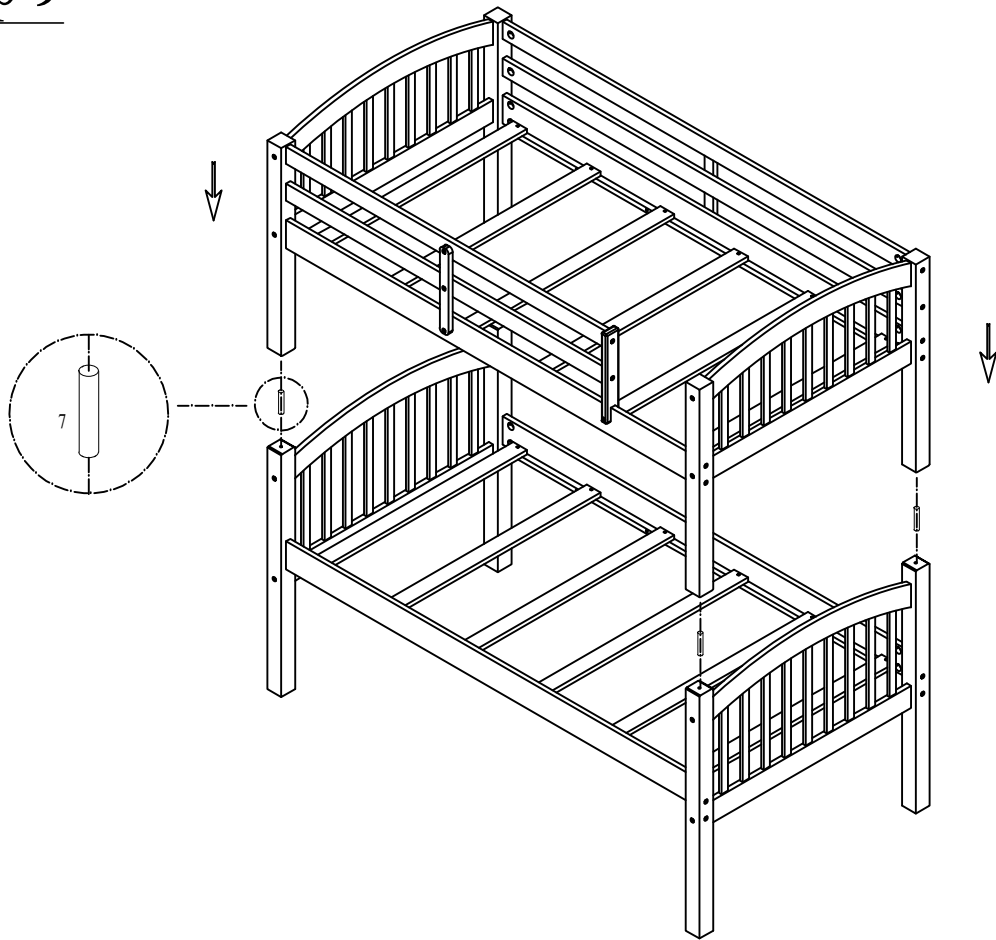


Both screws must be tightened in order to hold guardrail in place

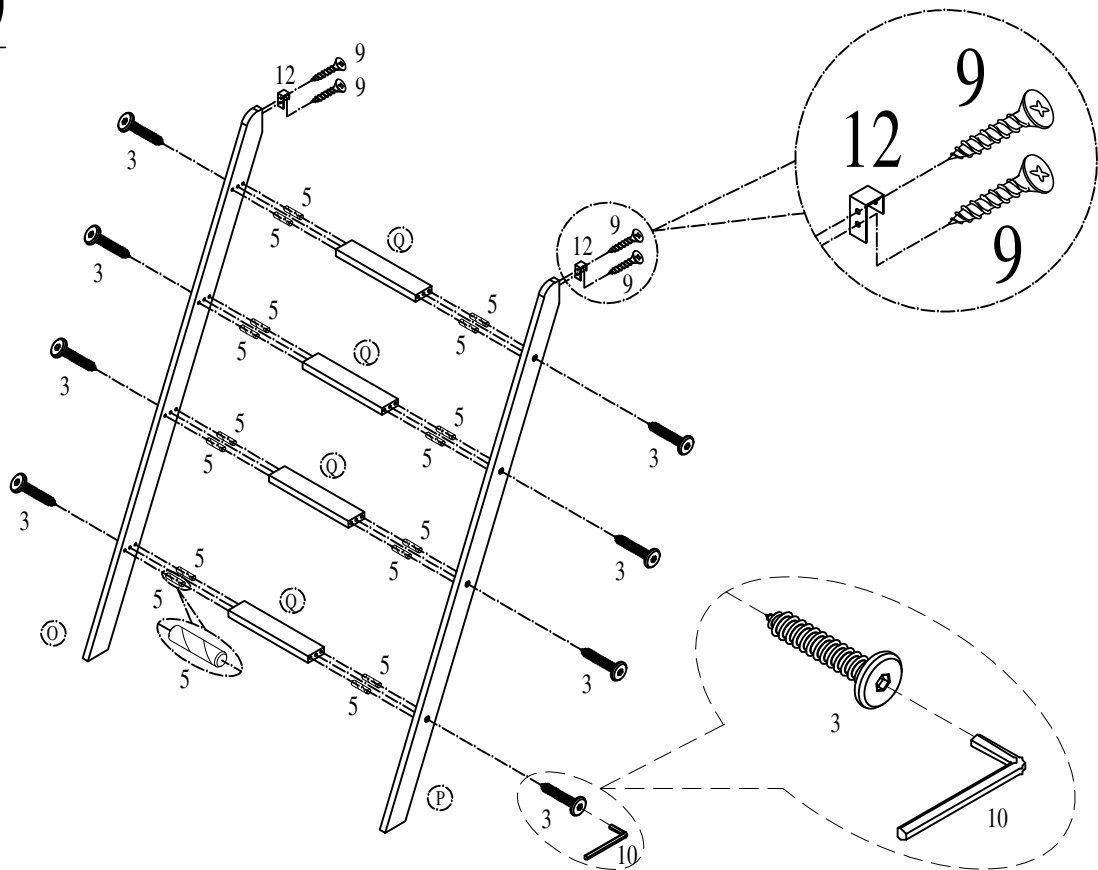
Step 8



Step 9



Step 10



Step 11

