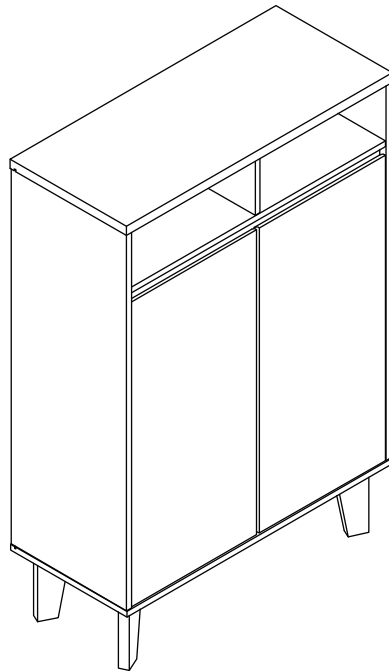


ASSEMBLY INSTRUCTIONS

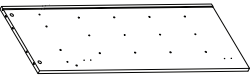
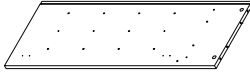
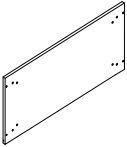
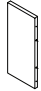
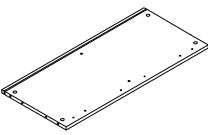

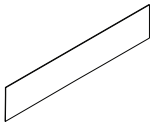


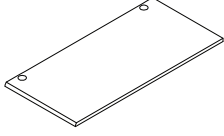
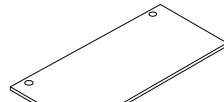
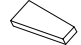
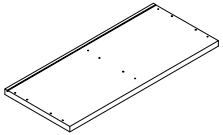
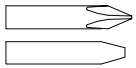
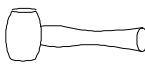
MODEL #SR6077 - SHOE RACK



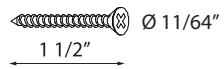
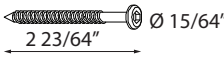
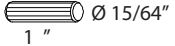
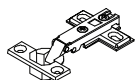
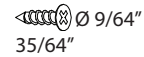



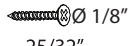
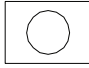
NOTE TO CUSTOMERS:

- For ease and speed of assembly we recommend that before you commence each step of the assembly that you identify all the parts required to complete that step.
- We recommend that where possible you allow sufficient space to assemble the item as close as possible to the place where it will be once assembled.
- For the protection of your furniture we recommend that the product is placed on a dry, soft, smooth and clean surfaces during assembly to prevent any damage. Avoid damp and direct sunlight.
- During assembly do not over tighten the screws or bolts, as this may damage the product.
- Please ensure you retain all the product packaging until the item is completely assembled.
- Periodically check all fitting and re-tighten as necessary.
- Never allow any liquids to remain on your furniture as absorption can cause the wood to warp or finish to de-laminate.
- It is recommended that this item should be assembled by two adults.


PARTS IDENTIFICATION

<p>P1 Quantity: 1</p>  <p>Side Panel-Left</p>	<p>P2 Quantity: 1</p>  <p>Side Panel-Right</p>	<p>P3 Quantity: 1</p>  <p>Base Panel</p>	<p>P4 Quantity: 1</p>  <p>Upper Shelf Divider Panel</p>	<p>P5 Quantity: 1</p>  <p>Upper Shelf Panel</p>
<p>P6 Quantity: 1</p>  <p>Apron</p>	<p>P7 Quantity: 1</p>  <p>Upper Back Panel</p>	<p>P8 Quantity: 2</p>  <p>Lower Back Panel</p>	<p>P9 Quantity: 4</p>  <p>Shelves Panel</p>	<p>P10 Quantity: 1</p>  <p>Left Door</p>
<p>P11 Quantity: 1</p>  <p>Right Door</p>	<p>P12 Quantity: 4</p>  <p>Legs</p>	<p>P13 Quantity: 1</p>  <p>Top Panel</p>	<p>TOOLS REQUIRED</p>  <p>Household screw driver</p>  <p>Rubber Mallet</p>	

HARDWARE LIST

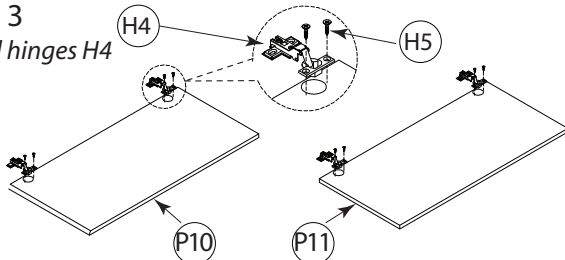
<p>H1 Screw #9 x 1 1/2"</p>  <p>Quantity: 6 pcs</p>	<p>H2 JCBC Bolt M6x60</p>  <p>Quantity: 8 pcs</p>	<p>H3 Wood dowel m6 x 25</p>  <p>Quantity: 36 pcs</p>	<p>H4 Door Hinges</p>  <p>Quantity: 4 pcs</p>	<p>H5 Screw for Hinges m3.5 x 14</p>  <p>Quantity: 16 pcs</p>
<p>H6 Cam Lock 15/12.5mm</p>  <p>Quantity: 22 pcs</p>	<p>H7 Connecting Bolts</p>  <p>Quantity: 22 pcs</p>	<p>H8 Corner Wedges</p>  <p>Quantity: 6 pcs</p>	<p>H9 Screw for Wedges m3 x 20</p>  <p>Quantity: 6 pcs</p>	<p>H10 Sticker</p>  <p>Quantity: 6 pcs</p>

H11 Allen Key

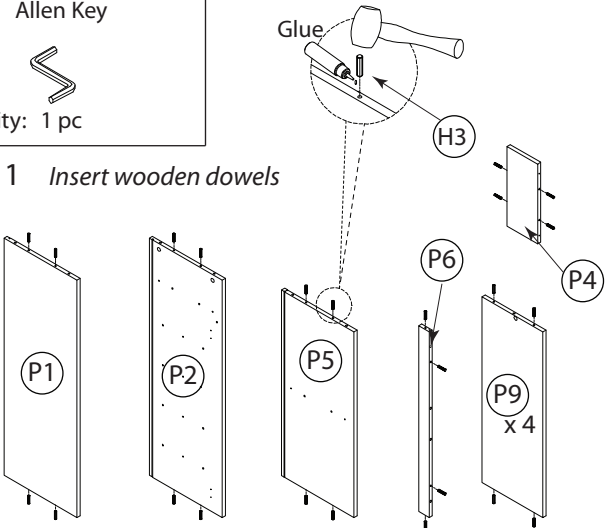


Quantity: 1 pc

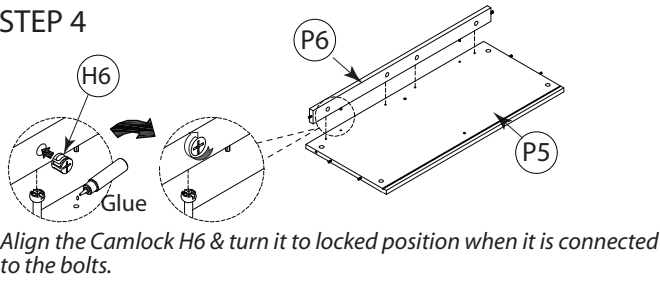
STEP 3
Install hinges H4



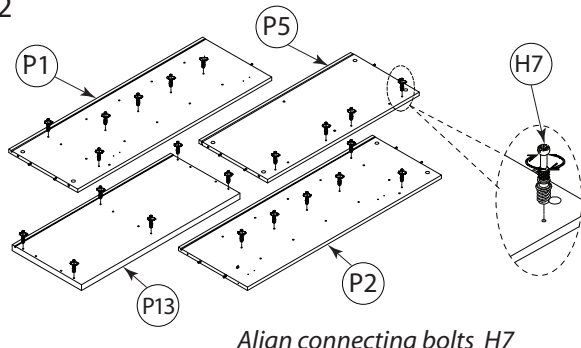
STEP 1 Insert wooden dowels



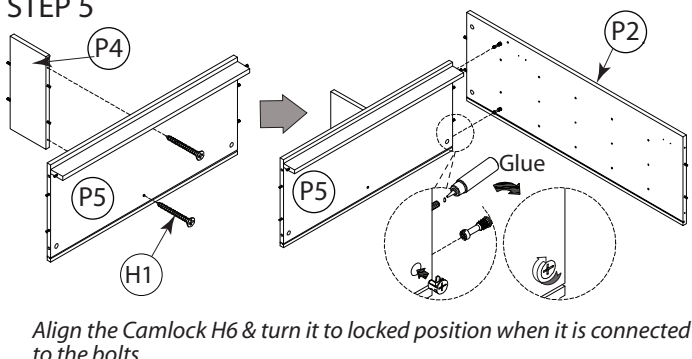
STEP 4



STEP 2



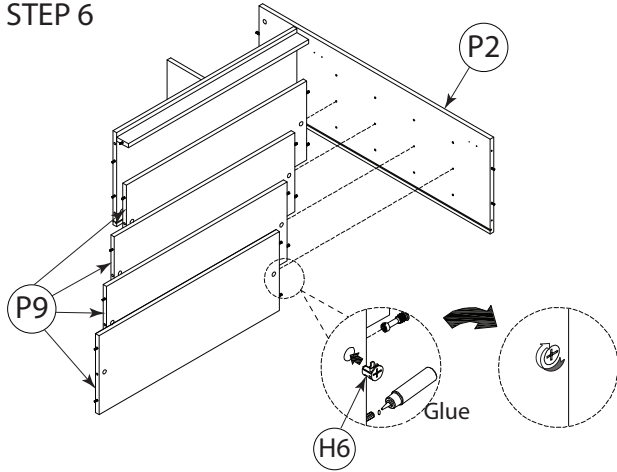
STEP 5



ASSEMBLY INSTRUCTIONS

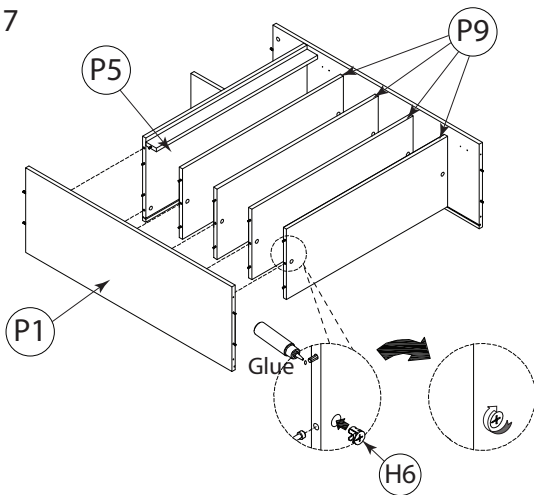
ITEM #SR6077- SHOE RACK

STEP 6



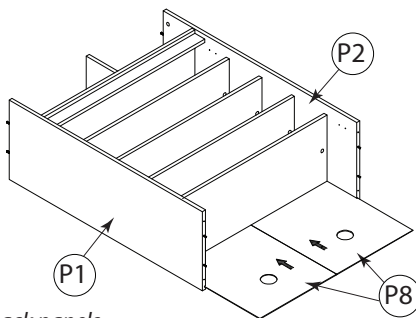
Align the Camlock H6 & turn it to locked position when it is connected to the bolts.

STEP 7



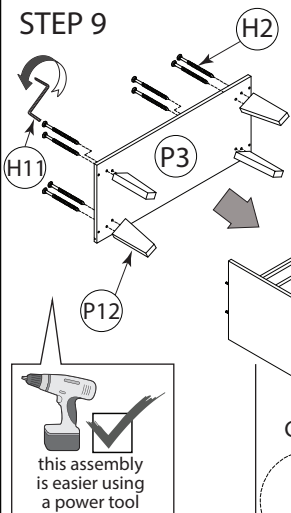
Align the Camlock H6 & turn it to locked position when it is connected to the bolts.

STEP 8

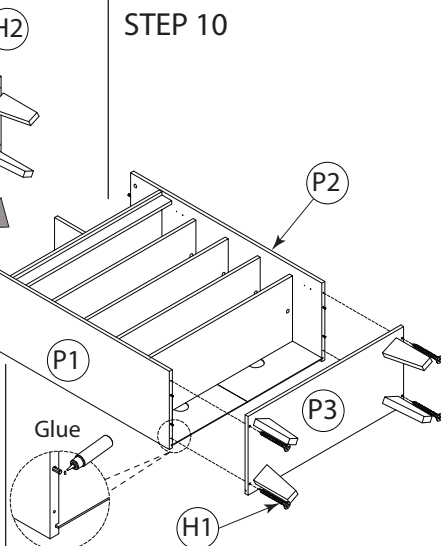


Slide in the back panels

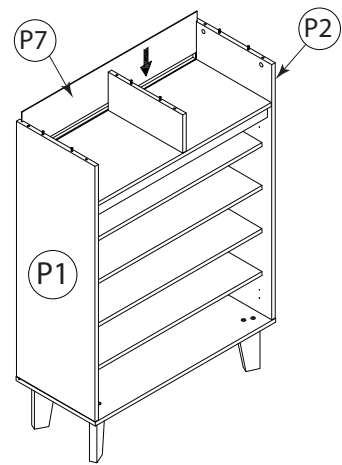
STEP 9



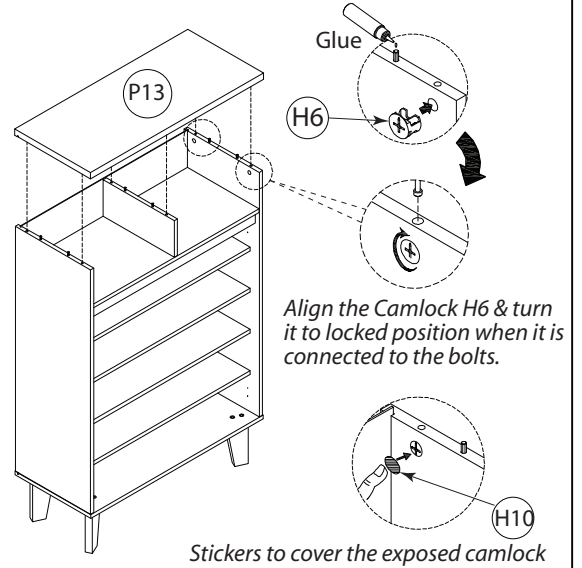
STEP 10



STEP 11



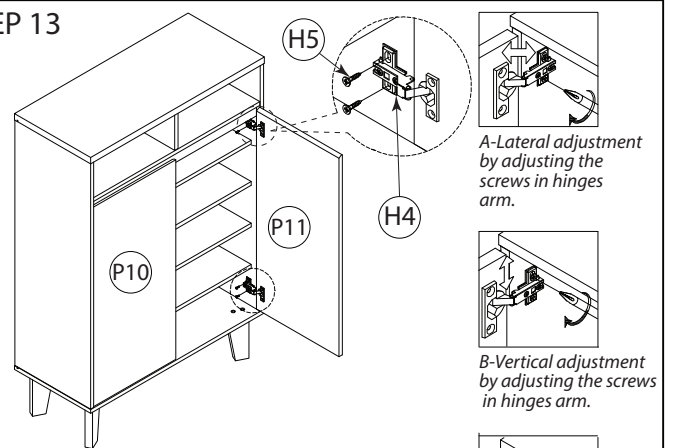
STEP 12



Align the Camlock H6 & turn it to locked position when it is connected to the bolts.

Stickers to cover the exposed camlock

STEP 13

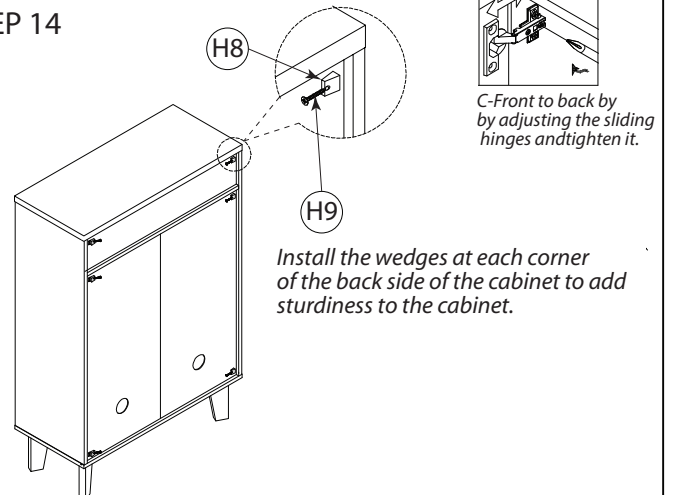


A-Lateral adjustment by adjusting the screws in hinges arm.

B-Vertical adjustment by adjusting the screws in hinges arm.

C-Front to back by adjusting the sliding hinges and tightening it.

STEP 14



Install the wedges at each corner of the back side of the cabinet to add sturdiness to the cabinet.