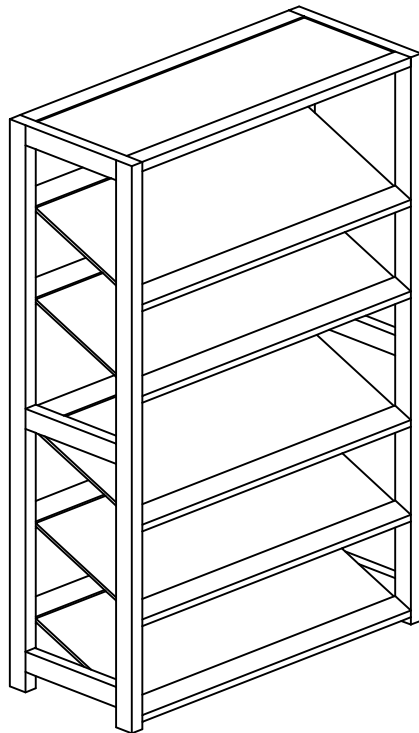


ASSEMBLY INSTRUCTIONS

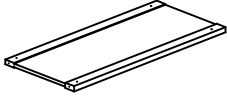
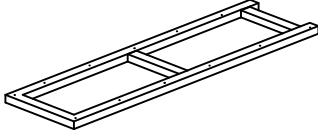
Style # SR-0636 Shoe Rack



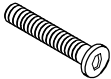


NOTE TO CUSTOMERS:

- For ease and speed of assembly we recommend that before you commence each step of the assembly that you identify all the parts required to complete that step.
- We recommend that where possible you allow sufficient space to assemble the item as close as possible to the place where it will be once assembled.
- For the protection of your furniture we recommend that the product is placed on protected surfaces during assembly to prevent any damage.
- During assembly do not over tighten, as this may damage the product.
- Please ensure you retain all the product packaging until the item completely assembled.
- Please periodically check all fittings and re-tighten as necessary.
- Never allow any liquids to remain on your furniture as absorption can cause the wood to warp or the finish to de-laminate.
- It is recommended that this item should be assembled by two adults.

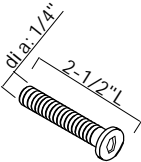
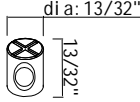
Part List

<p>A1</p> <p style="text-align: center;">Quantity of 6</p> <div style="text-align: center;">  </div> <p style="text-align: center;">Shelf</p>	<p>A2 (L&R)</p> <p style="text-align: center;">Quantity of 2</p> <div style="text-align: center;">  </div> <p style="text-align: center;">Side Frame</p>
--	--



Hardware List

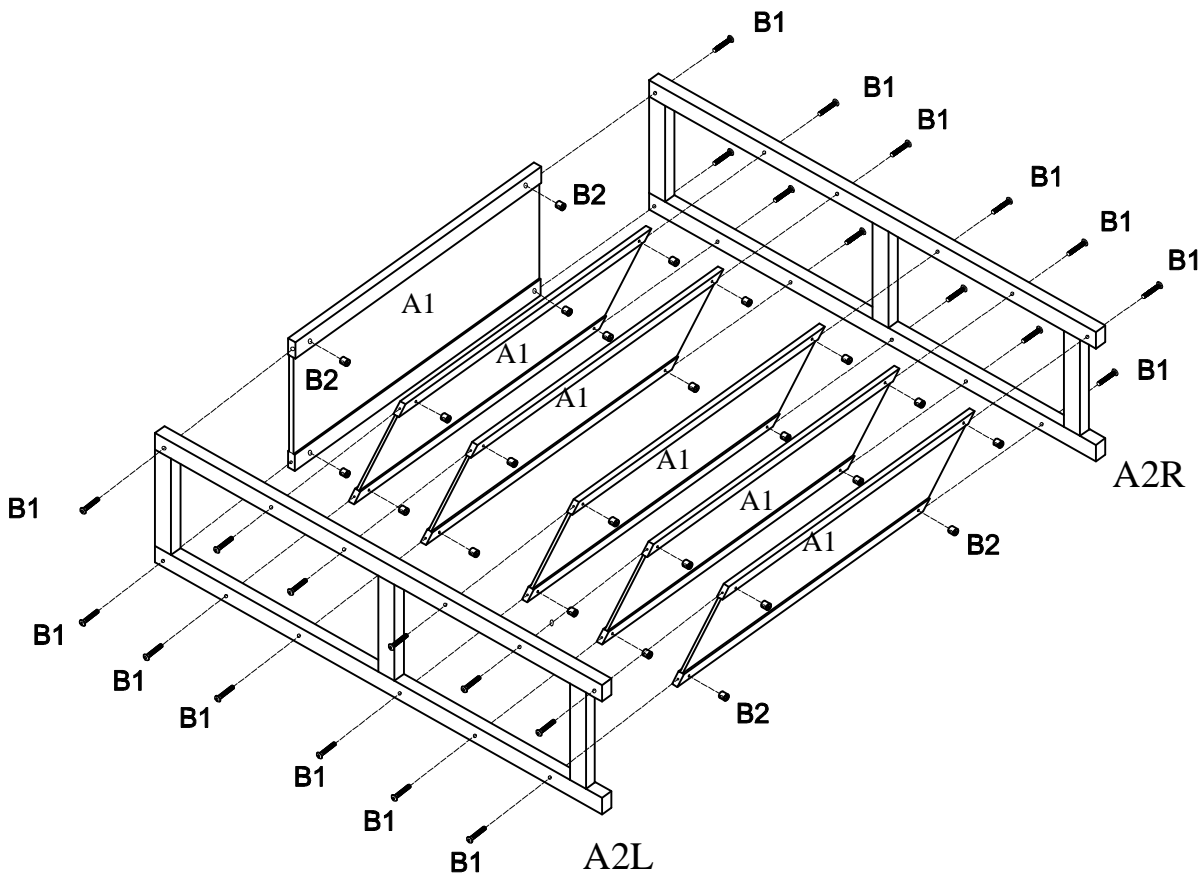
<p>B1</p> <p style="text-align: center;">Quantity of 24</p> <div style="text-align: center;">  </div> <p style="text-align: center;">Bolt</p>	<p>B2</p> <p style="text-align: center;">Quantity of 24</p> <div style="text-align: center;">  </div> <p style="text-align: center;">Nut</p>	<div style="text-align: center;">  </div> <p style="text-align: center;">Allen Wrench</p>
--	---	--

APPENDIX: Dimension of Hardwares in this AI.

<p>B1</p> <div style="text-align: center;">  </div> <p style="text-align: center;">Bolt</p>	<p>B2</p> <div style="text-align: center;">  </div> <p style="text-align: center;">Nut</p>
--	---

ASSEMBLY INSTRUCTIONS

B1		24pcs
B2		24pcs



Assemble Side Frames A2L & A2 R to Shelves A1 using Bolts B1 with Nuts B2 as shown above.