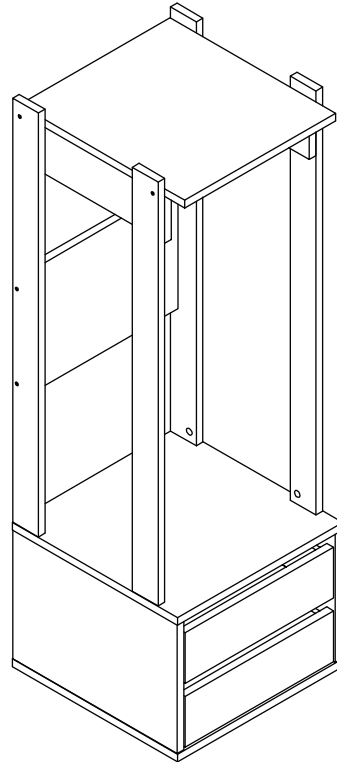


ASSEMBLY INSTRUCTIONS

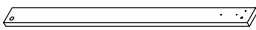
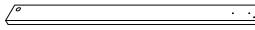

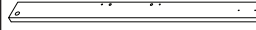
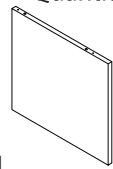
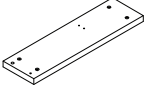
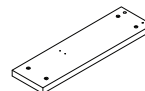
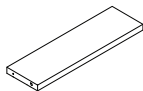
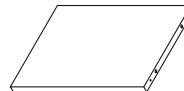
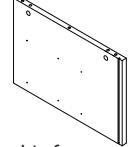
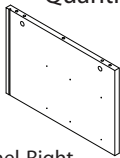
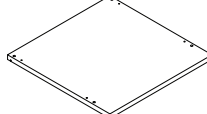
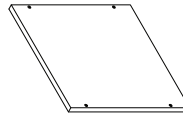
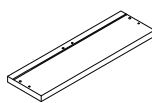

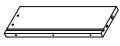
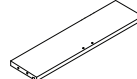


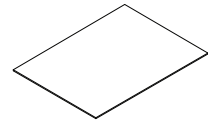
MODEL #GR8054 - GARMENT RACK



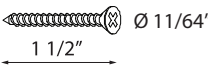



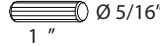
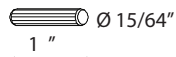
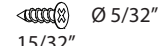
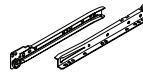

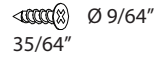
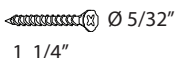


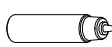
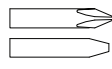

NOTE TO CUSTOMERS:

- For ease and speed of assembly we recommend that before you commence each step of the assembly that you identify all the parts required to complete that step.
- We recommend that where possible you allow sufficient space to assemble the item as close as possible to the place where it will be once assembled.
- For the protection of your furniture we recommend that the product is placed on a dry, soft, smooth and clean surfaces during assembly to prevent any damage. Avoid damp and direct sunlight.
- During assembly do not over tighten the screws or bolts, as this may damage the product.
- Please ensure you retain all the product packaging until the item is completely assembled.
- Periodically check all fitting and re-tighten as necessary.
- Never allow any liquids to remain on your furniture as absorption can cause the wood to warp or finish to de-laminate.
- It is recommended that this item should be assembled by two adults.

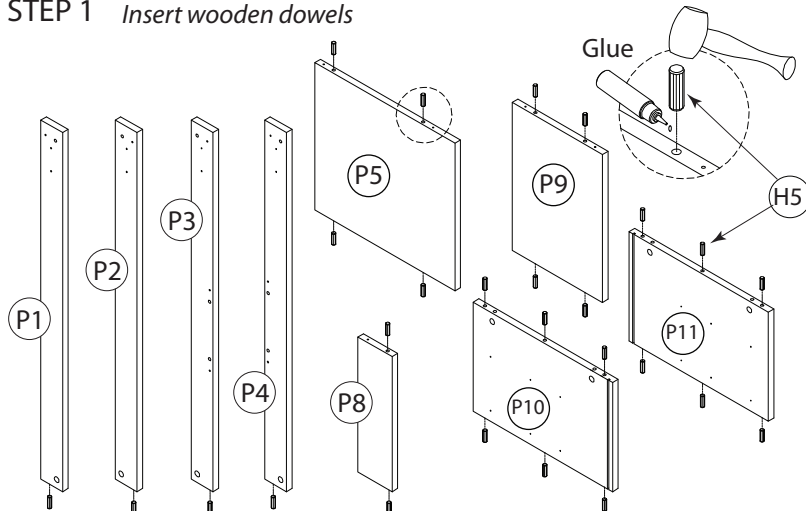
PARTS IDENTIFICATION

<p>P1 Quantity: 1</p>  <p>Front Pillar-Left</p>	<p>P2 Quantity: 1</p>  <p>Front Pillar-Right</p>	<p>P3 Quantity: 1</p>  <p>Rear Pillar-Left</p>	<p>P4 Quantity: 1</p>  <p>Rear Pillar-Right</p>	<p>P5 Quantity: 1</p>  <p>Cap Panel</p>
<p>P6 Quantity: 1</p>  <p>Apron-Left</p>	<p>P7 Quantity: 1</p>  <p>Apron-Right</p>	<p>P8 Quantity: 1</p>  <p>Apron-Rear</p>	<p>P9 Quantity: 1</p>  <p>Upper Back Panel</p>	<p>P10 Quantity: 1</p>  <p>Case Panel-Left</p>
<p>P11 Quantity: 1</p>  <p>Case Panel-Right</p>	<p>P12 Quantity: 1</p>  <p>Case Top Panel</p>	<p>P13 Quantity: 1</p>  <p>Case Base Panel</p>	<p>P14 Quantity: 2</p>  <p>Drawer Front</p>	<p>P15 Quantity: 2</p>  <p>Drawer Side-Left</p>
<p>P16 Quantity: 2</p>  <p>Drawer Side-Right</p>	<p>P17 Quantity: 2</p>  <p>Drawer Back</p>	<p>P18 Quantity: 2</p>  <p>Drawer Base</p>	<p>P19 Quantity: 2</p>  <p>Drawer Base Support</p>	<p>P20 Quantity: 1</p>  <p>Case Back Panel</p>

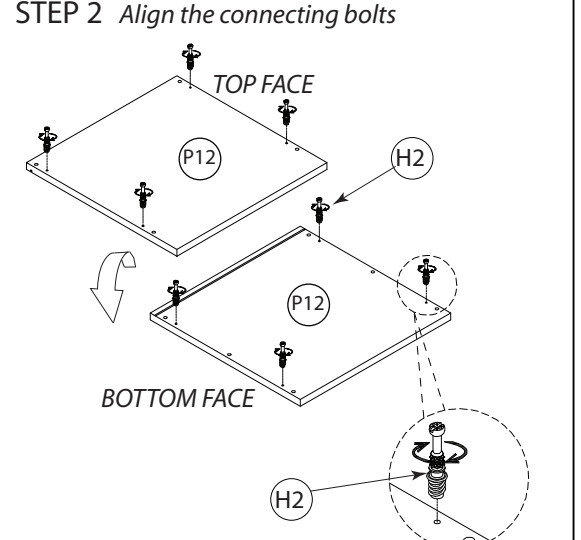
HARDWARE LIST

<p>H1 Screw #9 x 1 1/2"</p>  <p>Quantity: 26 pcs</p>	<p>H2 Connecting Bolts</p>  <p>Quantity: 14 pcs</p>	<p>H3 Cam Lock D15/12.5mm</p>  <p>Quantity: 8 pcs</p>	<p>H4 Cam Lock D12/9.5mm</p>  <p>Quantity: 6 pcs</p>	<p>H5 Wood Dowel M8 x 25</p>  <p>Quantity: 26 pcs</p>
<p>H6 Wood Dowel M6 x 25</p>  <p>Quantity: 6 pcs</p>	<p>H7 Screw for slides m4 x 12</p>  <p>Quantity: 24 pcs</p>	<p>H8 Drawer slides</p>  <p>Quantity: 2 sets</p>	<p>H9 Hanger Bar Holder</p>  <p>Quantity: 2 pcs</p>	<p>H10 Screw for Hanger bar Holder M3.5 x 14</p>  <p>Quantity: 4 pcs</p>
<p>H11 Screw for P7 & P8 #8 x 1 1/4"</p>  <p>Quantity: 8 pcs</p>	<p>H12 Metal Hanger's rod</p>  <p>Quantity: 1 pc</p>	<p>H13 Stickers</p>  <p>Quantity: 8 pcs</p>	<p>Glue</p>  <p>Quantity: 2 pcs</p>	<p>TOOLS REQUIRED</p>   <p>Household screw driver Rubber Mallet</p>

STEP 1 Insert wooden dowels



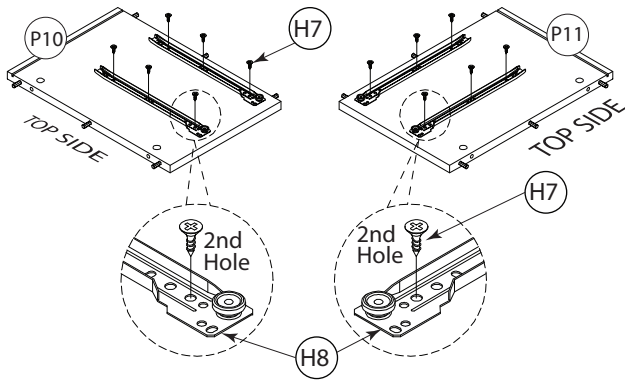
STEP 2 Align the connecting bolts



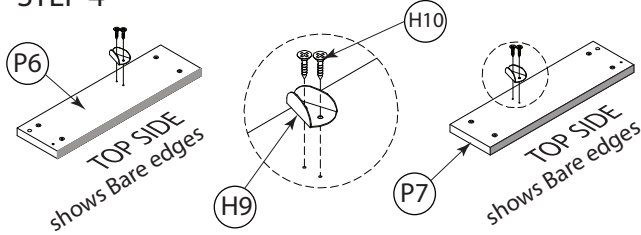
ASSEMBLY INSTRUCTIONS

ITEM #GR8054 - GARMENT RACK

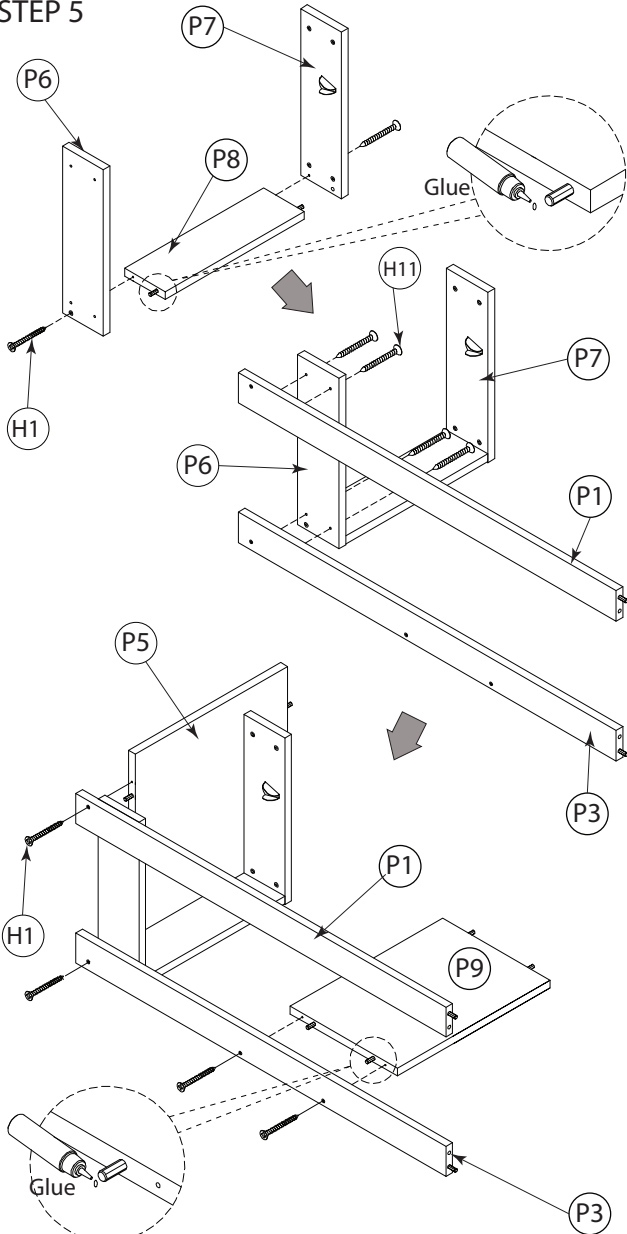
STEP 3 Install Drawer Slides



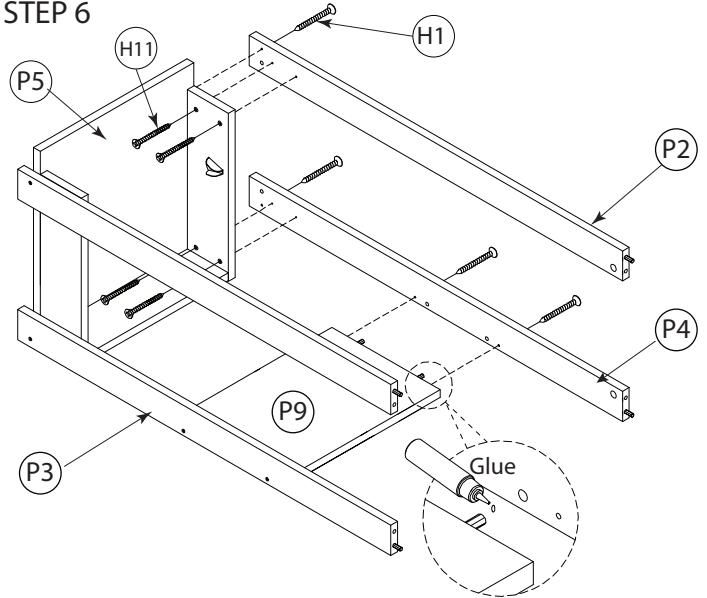
STEP 4



STEP 5

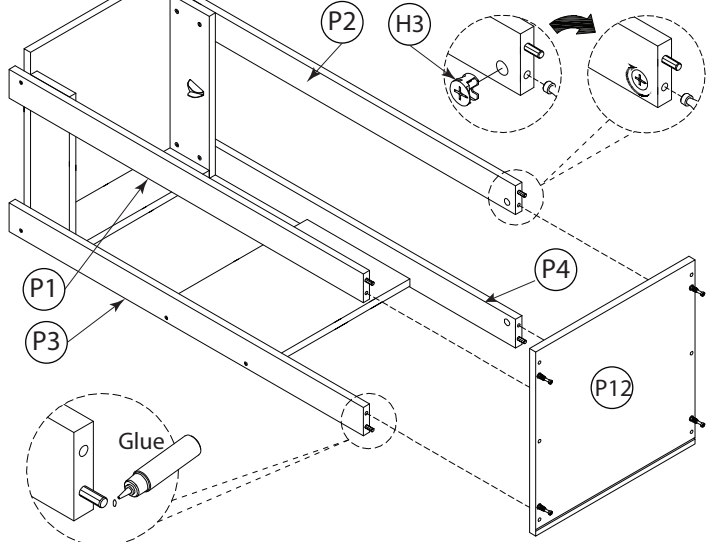


STEP 6



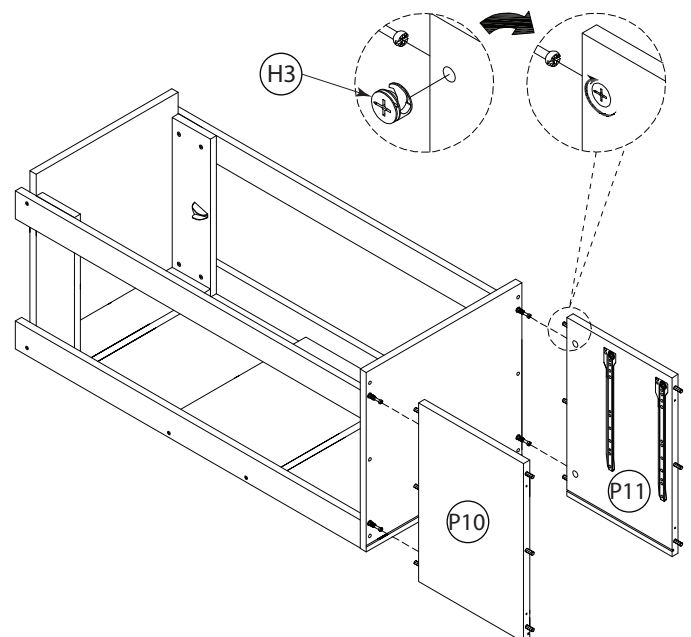
STEP 7

Align the Camlock H3 & turn it to locked position when it is connected to the bolts.

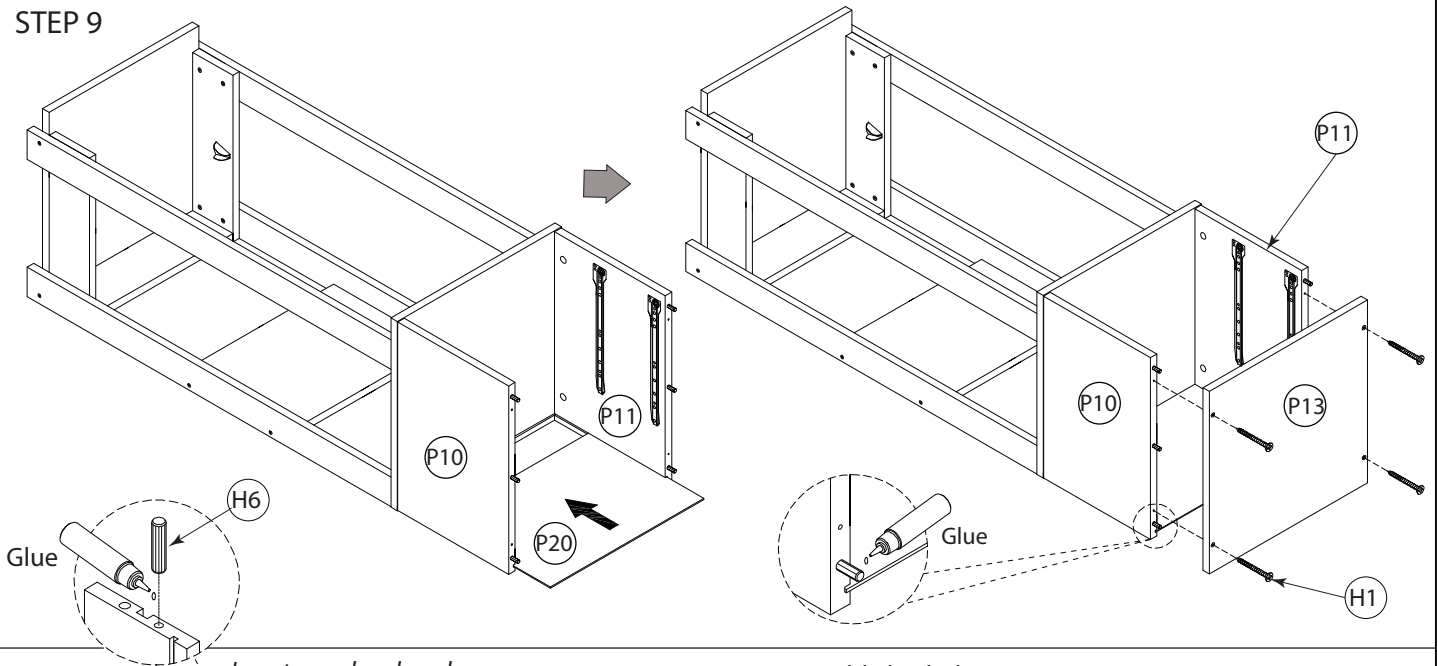


STEP 8

Align the Camlock H3 & turn it to locked position when it is connected to the bolts.



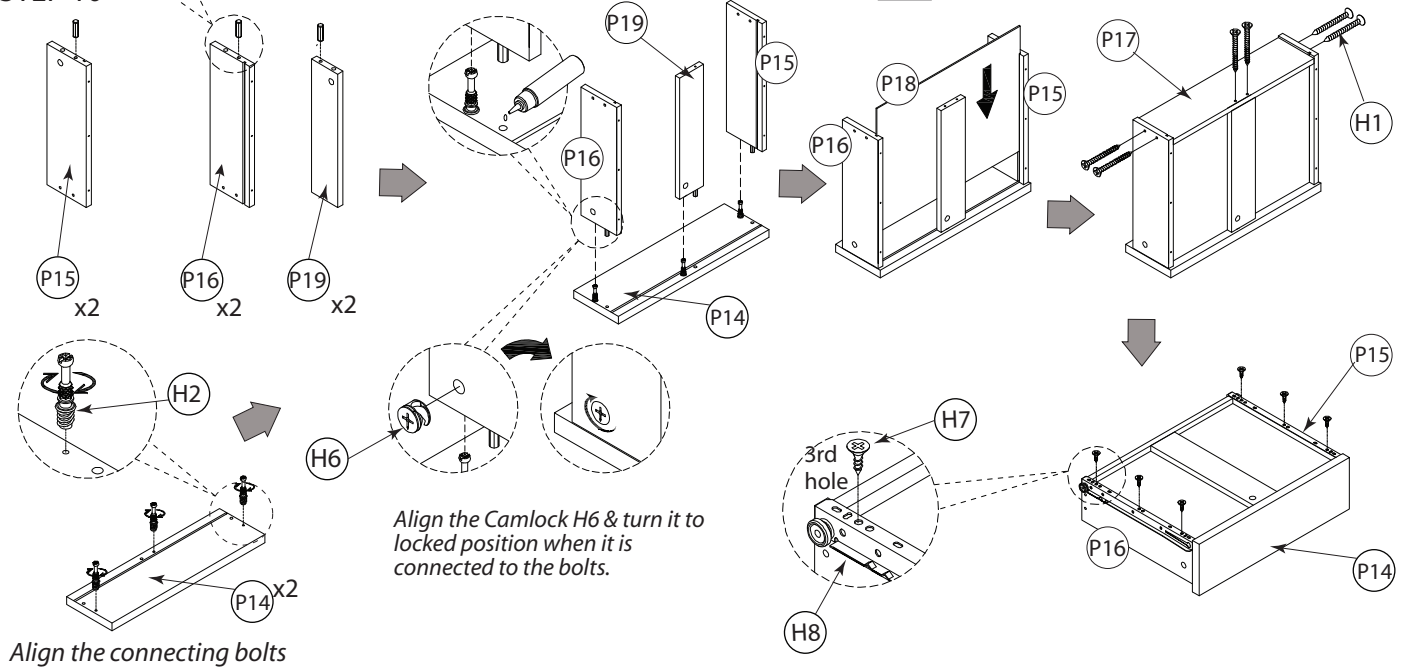
STEP 9



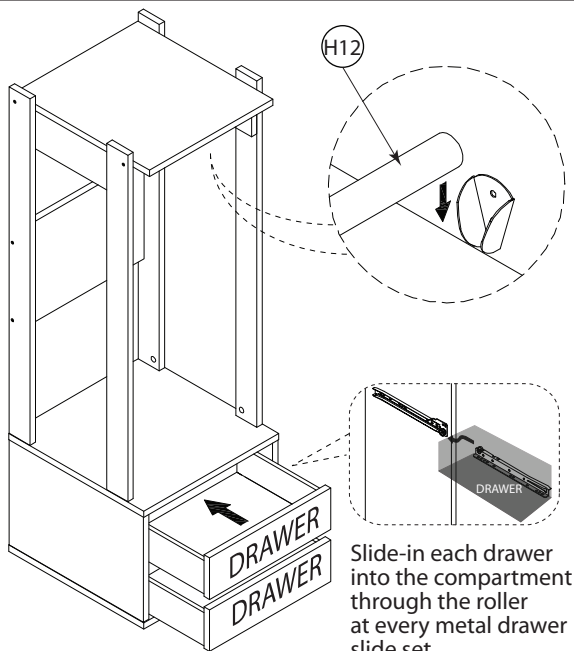
STEP 10

Insert wooden dowels

Assemble both drawers.



STEP 11



STEP 12

