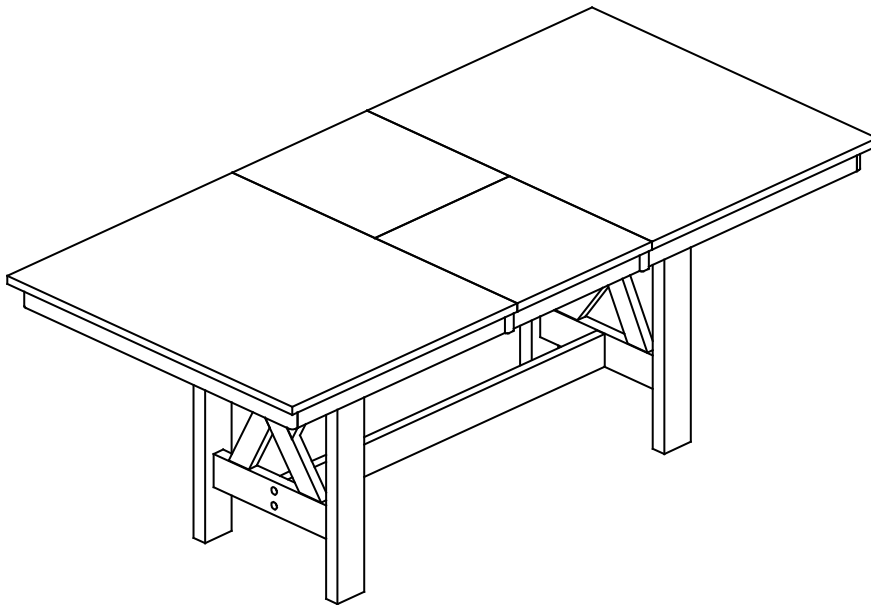


ASSEMBLY INSTRUCTIONS

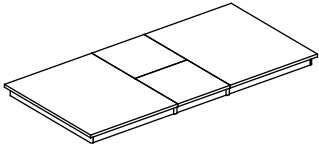
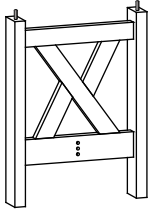

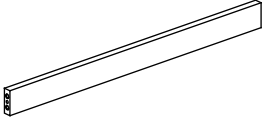
MODEL # D6500 - TRESTLE LEG DINING TABLE



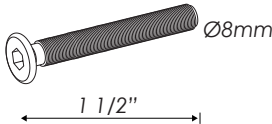
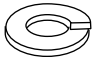

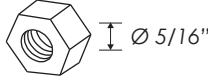
NOTE TO CUSTOMERS:

- For ease and speed of assembly we recommend that before you commence each step of the assembly that you identify all the parts required to complete that step.
- We recommend that where possible you allow sufficient space to assemble the item as close as possible to the place where it will be once assembled.
- For the protection of your furniture we recommend that the product is placed on protected surfaces during assembly to prevent any damage.
- During assembly do not over tighten the screws or bolts, as this may damage the product.
- Please ensure you retain all the product packaging until the item is completely assembled.
- Periodically check all fitting and re-tighten as necessary.
- Never allow any liquids to remain on your furniture as absorption can cause the wood to warp or finish to de-laminate.
- It is recommended that this item should be assembled by two adults.

PARTS IDENTIFICATION

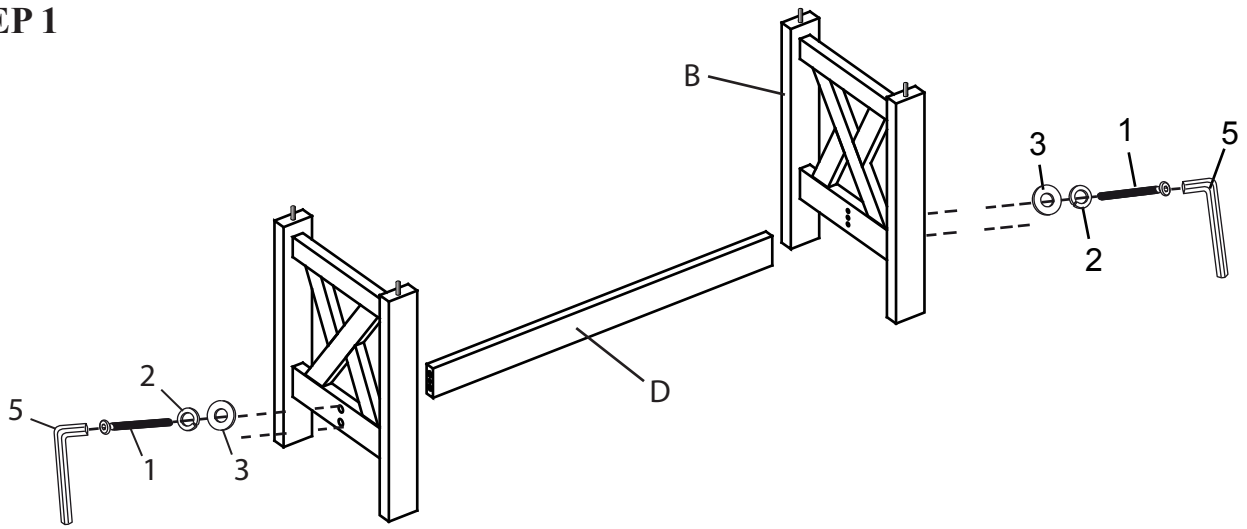
A-	Table Top		1 pc
B-	Trestle Leg		2 pcs
C-	Mounting Plate		2 pcs
D-	Stretcher		1 pc

HARDWARE IDENTIFICATION

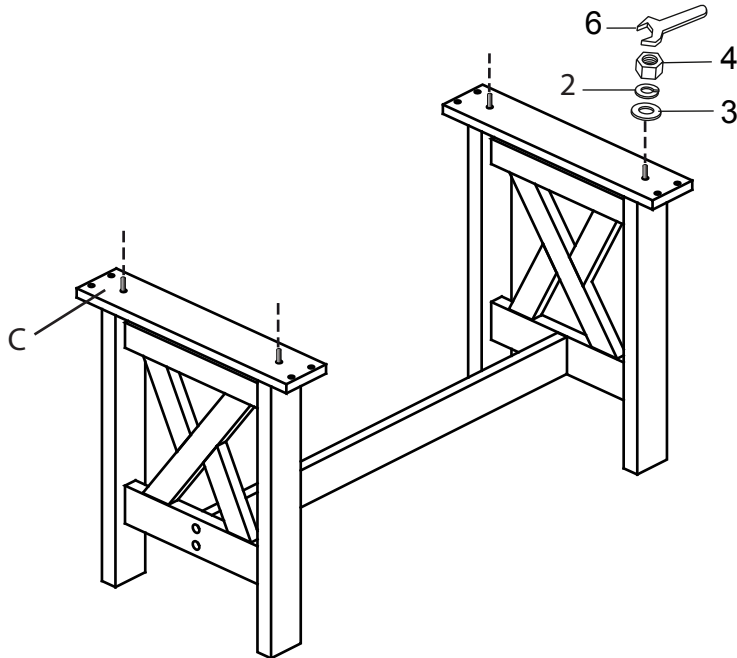
1-	JCBB Bolt M8 x 40mm	 $\varnothing 8\text{mm}$ 1 1/2"	12 pcs
2-	Lock Washer M8 x 13.5 x 1.8mm		16 pcs
3-	Flat Washer M8 x 18 x 1.2mm		16 pcs
4-	Hex Nut 5/16" x 12.5 x 6.5mm	 $\varnothing 5/16"$	4 pcs
5-	Allen Key M5 x 2 1/2"		1 pc
6-	Wrench 12.8mm		1 pc
7-	Wood Plug 19 x 9mm		4 pcs

NOTE: Quantities shown are for one table. Bolts are metric screw threads

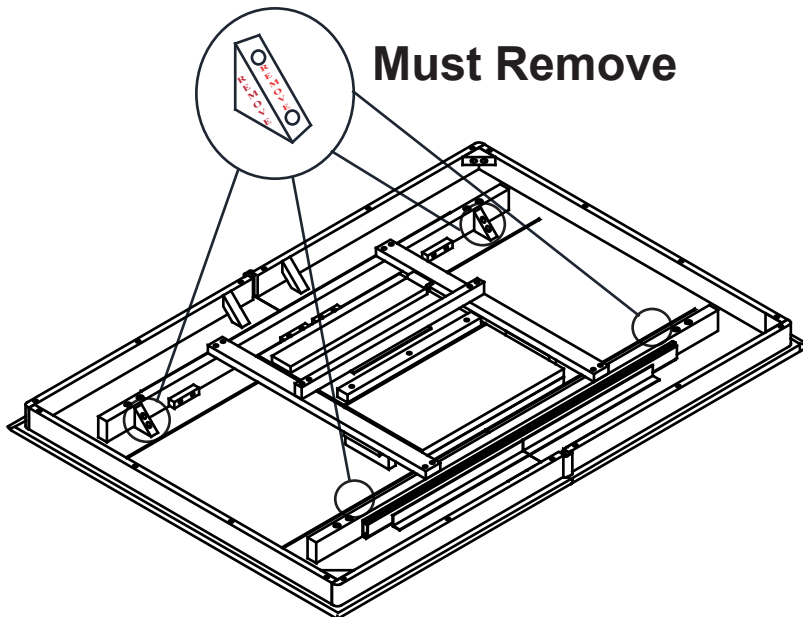
STEP 1



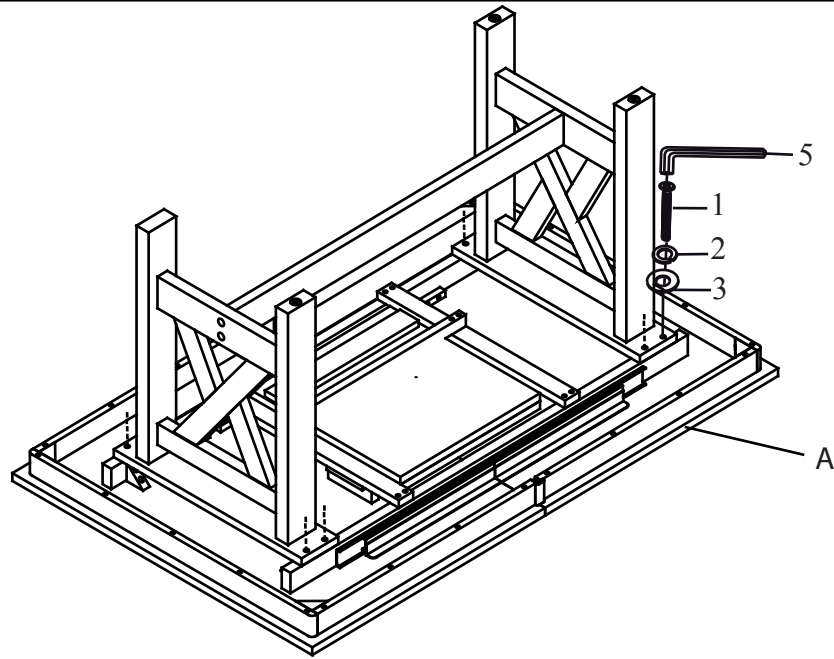
STEP 2



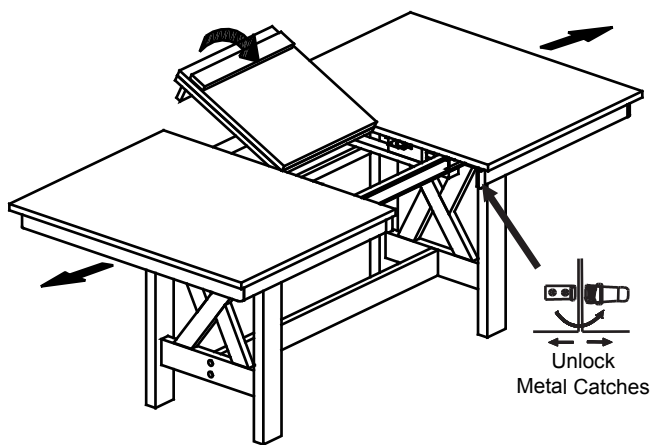
STEP 3



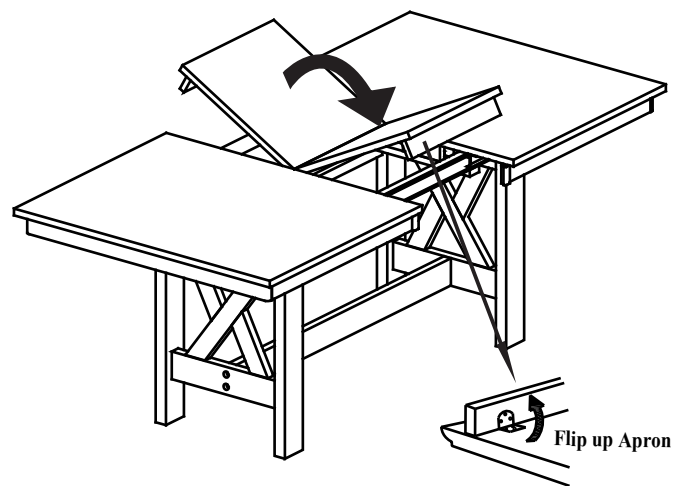
STEP 4



STEP 3



STEP 4



STEP 5

