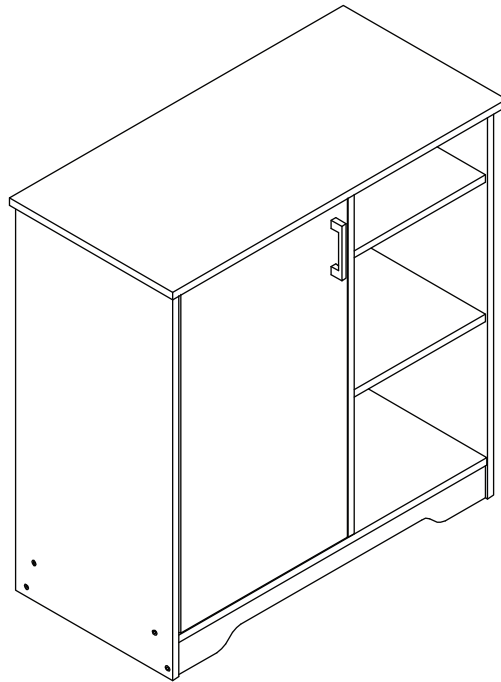


ASSEMBLY INSTRUCTIONS

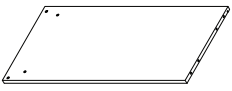
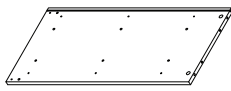

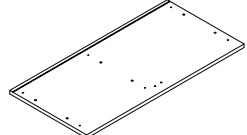
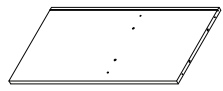
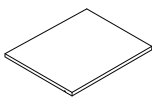
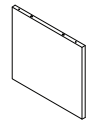
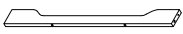
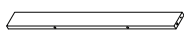

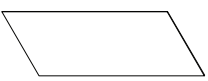
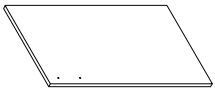
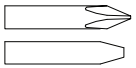
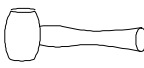
MODEL #C6093 - CONSOLE



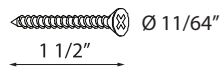
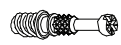

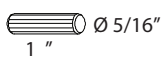


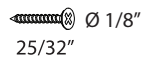
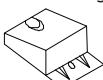
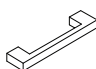

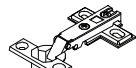
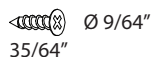

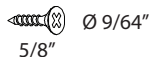
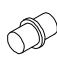
NOTE TO CUSTOMERS:

- For ease and speed of assembly we recommend that before you commence each step of the assembly that you identify all the parts required to complete that step.
- We recommend that where possible you allow sufficient space to assemble the item as close as possible to the place where it will be once assembled.
- For the protection of your furniture we recommend that the product is placed on a dry, soft, smooth and clean surfaces during assembly to prevent any damage. Avoid damp and direct sunlight.
- During assembly do not over tighten the screws or bolts, as this may damage the product.
- Please ensure you retain all the product packaging until the item is completely assembled.
- Periodically check all fitting and re-tighten as necessary.
- Never allow any liquids to remain on your furniture as absorption can cause the wood to warp or finish to de-laminate.
- It is recommended that this item should be assembled by two adults.

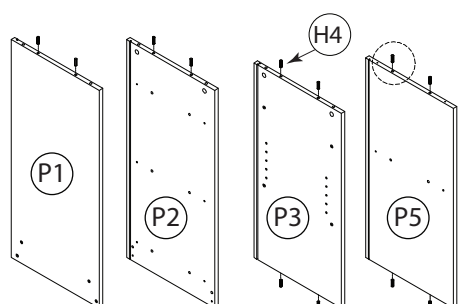
PARTS IDENTIFICATION

<p>P1 Quantity: 1</p>  <p>Side Panel-Left</p>	<p>P2 Quantity: 1</p>  <p>Side Panel-Right</p>	<p>P3 Quantity: 1</p>  <p>Center Panel</p>	<p>P4 Quantity: 1</p>  <p>Top Panel</p>	<p>P5 Quantity: 1</p>  <p>Base Panel</p>
<p>P6 Quantity: 1</p>  <p>Adjustable Shelf</p>	<p>P7 Quantity: 2</p>  <p>Fixed Shelves</p>	<p>P8 Quantity: 1</p>  <p>Front Plinth</p>	<p>P9 Quantity: 1</p>  <p>Back Plinth</p>	<p>P10 Quantity: 1</p>  <p>Back Panel Large</p>
<p>P11 Quantity: 1</p>  <p>Back Panel Small</p>	<p>P12 Quantity: 1</p>  <p>Door Panel</p>	<p>TOOLS REQUIRED</p>  <p>Household screw driver</p>  <p>Hammer</p>		

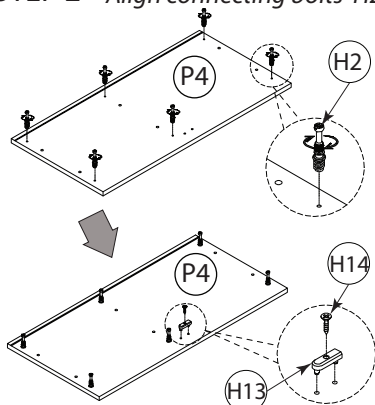
HARDWARE LIST

<p>H1 Screw #9 x 1 1/2"</p>  <p>Quantity: 18 pcs</p>	<p>H2 Connecting Bolts</p>  <p>Quantity: 6 pcs</p>	<p>H3 Cam Lock 15/12.5mm</p>  <p>Quantity: 6 pcs</p>	<p>H4 Wood Dowel M8 x 25</p>  <p>Quantity: 28 pcs</p>	<p>H5 Sticker</p>  <p>Quantity: 16 pcs</p>
<p>H6 Leg Stud</p>  <p>Quantity: 4 pcs</p>	<p>H7 Screw for Wedges m3 x 20</p>  <p>Quantity: 4 pcs</p>	<p>H8 Corner Wedges</p>  <p>Quantity: 4pcs</p>	<p>H9 Door Handle</p>  <p>Quantity: 1 pc</p>	<p>H10 Screw for Door handle M4 x 20</p>  <p>Quantity: 2pcs</p>
<p>H11 Hinges</p>  <p>Quantity: 2 sets</p>	<p>H12 Screw for Hinges m3.5 x 14</p>  <p>Quantity: 8pcs</p>	<p>H13 Door Stopper</p>  <p>Quantity: 1pc</p>	<p>H14 Screw for Door Stopper m3.5 x 16</p>  <p>Quantity: 1pc</p>	<p>H15 Shelf Support Pin</p>  <p>Quantity: 4pcs</p>

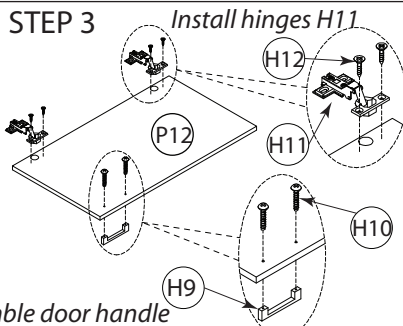
STEP 1 Insert wooden dowels



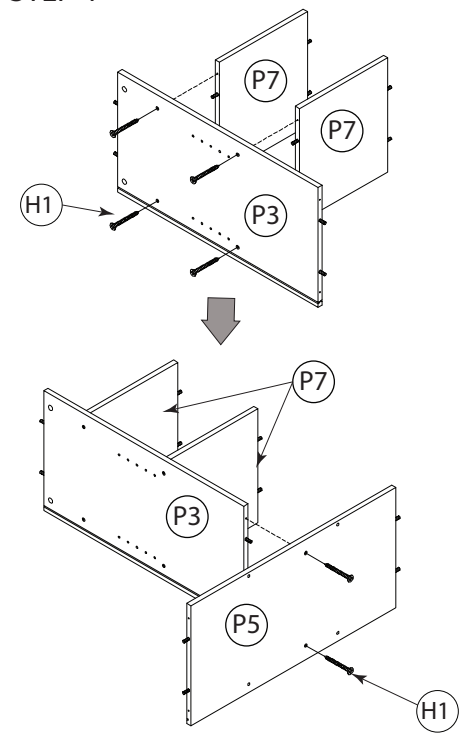
STEP 2 Align connecting bolts H2



STEP 3 Install hinges H11

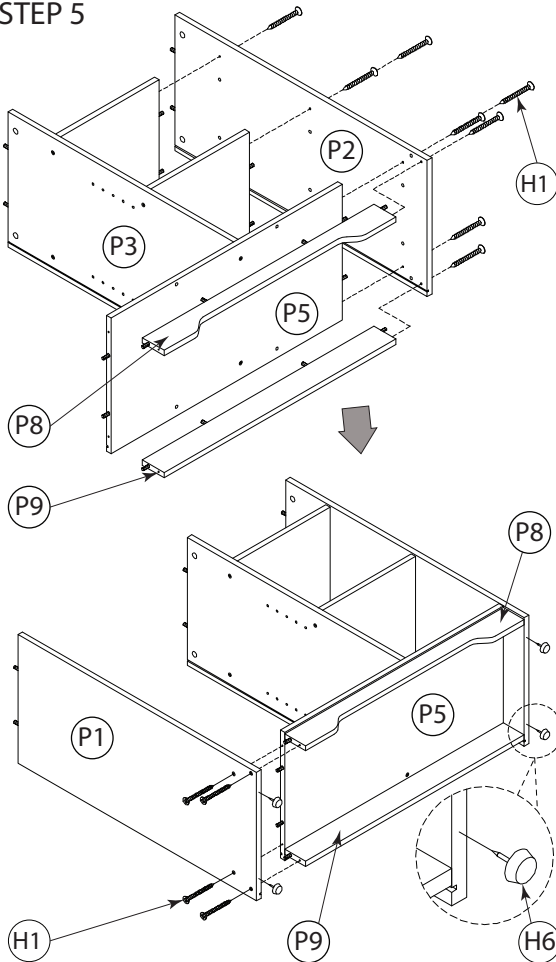


STEP 4

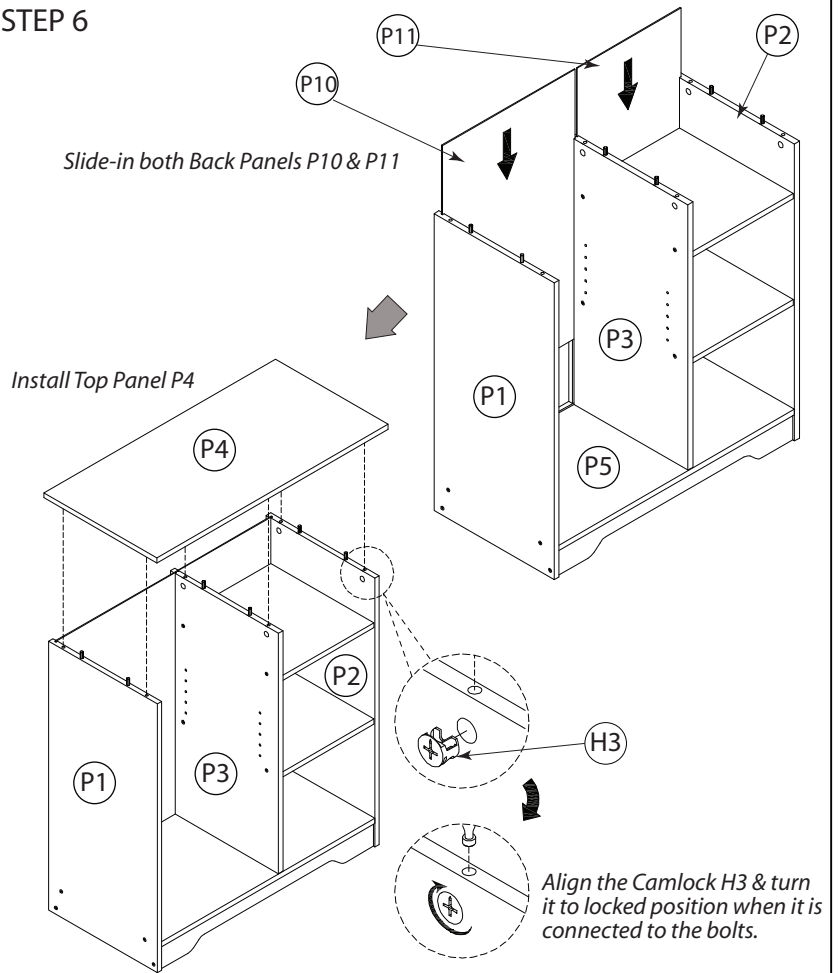


Assemble door handle

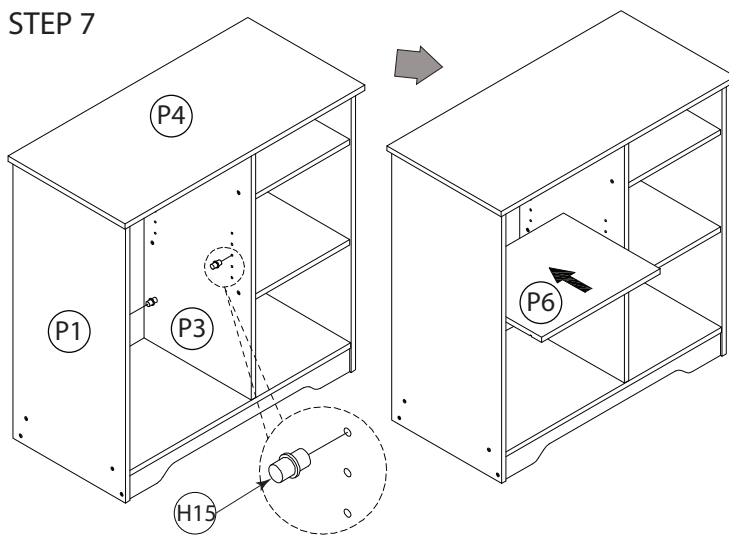
STEP 5



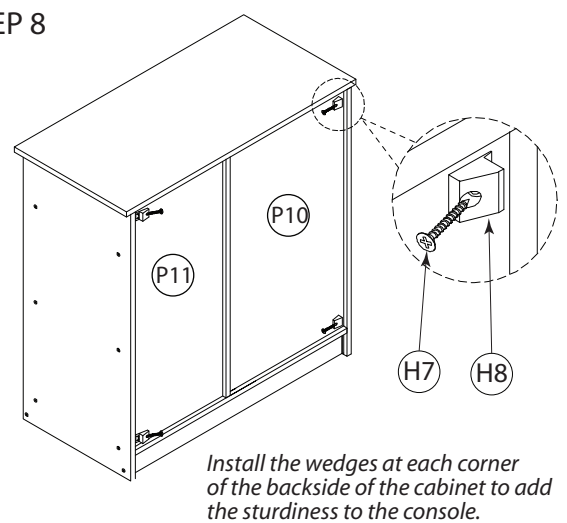
STEP 6



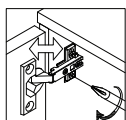
STEP 7



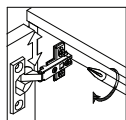
STEP 8



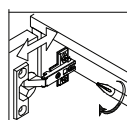
STEP 9



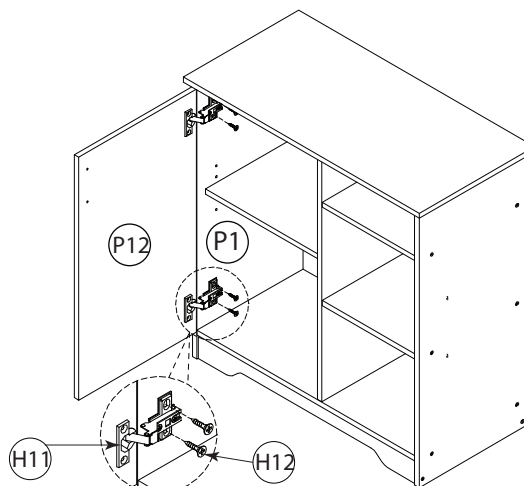
A-Lateral adjustment by adjusting the screws in hinges arm.



B-Vertical adjustment by adjusting the screws in hinges arm.



C-Front to back by adjusting the sliding hinges and tighten it.



STEP 10

