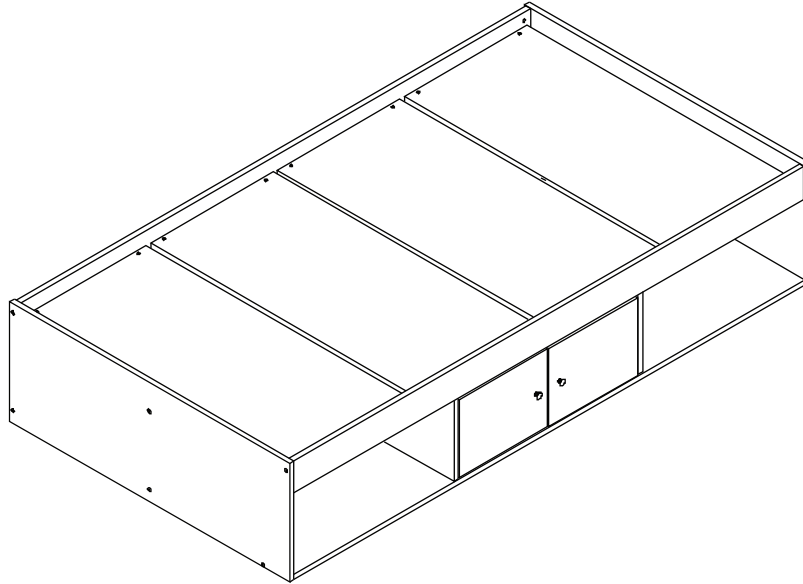


ASSEMBLY INSTRUCTIONS

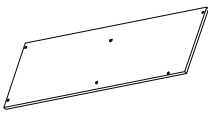
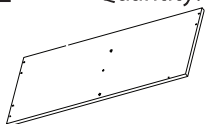
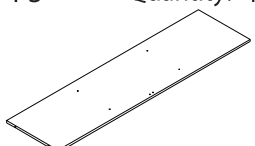

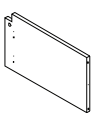
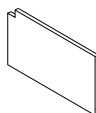
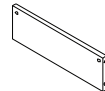
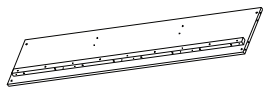
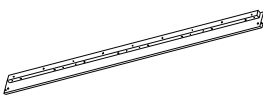
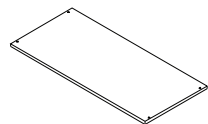
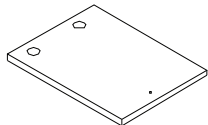
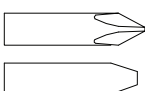

MODEL #B077 - BED



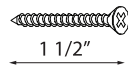


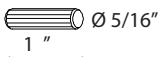

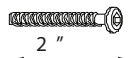

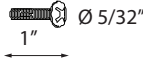


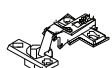
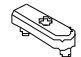
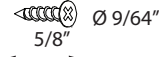


NOTE TO CUSTOMERS:

- For ease and speed of assembly we recommend that before you commence each step of the assembly that you identify all the parts required to complete that step.
- We recommend that where possible you allow sufficient space to assemble the item as close as possible to the place where it will be once assembled.
- For the protection of your furniture we recommend that the product is placed on a dry, soft, smooth and clean surfaces during assembly to prevent any damage. Avoid damp and direct sunlight.
- During assembly do not over tighten the screws or bolts, as this may damage the product.
- Please ensure you retain all the product packaging until the item is completely assembled.
- Periodically check all fitting and re-tighten as necessary.
- Never allow any liquids to remain on your furniture as absorption can cause the wood to warp or finish to de-laminate.
- It is recommended that this item should be assembled by two adults.

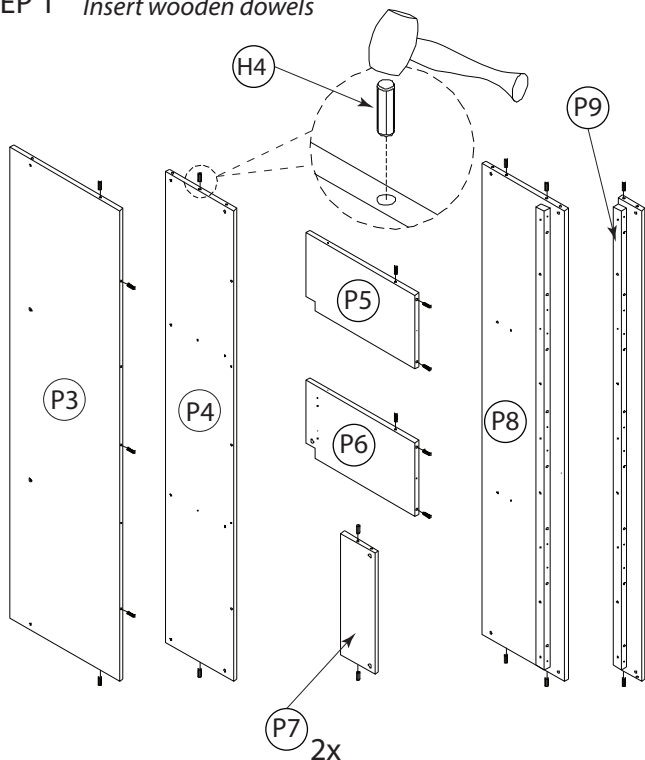
PARTS IDENTIFICATION

<p>P1 Quantity: 1</p>  <p>Side Panel- Left (Carton A)</p>	<p>P2 Quantity: 1</p>  <p>Side Panel - Right (Carton A)</p>	<p>P3 Quantity: 1</p>  <p>Base Panel (Carton B)</p>	<p>P4 Quantity: 1</p>  <p>Center Panel (Carton B)</p>	<p>P5 Quantity: 1</p>  <p>Divider Panel - Left (carton A)</p>
<p>P6 Quantity: 1</p>  <p>Divider Panel - Right (carton A)</p>	<p>P7 Quantity: 2</p>  <p>Spreader Panel (Carton A)</p>	<p>P8 Quantity: 1</p>  <p>Back Panel (Carton B)</p>	<p>P9 Quantity: 2</p>  <p>Side Rail (Carton B)</p>	<p>P10 Quantity: 4</p>  <p>Mattress Support Panel (carton A)</p>
<p>P11 Quantity: 2</p>  <p>Doors (Carton A)</p>	<h3>TOOLS REQUIRED</h3>  Household screw driver  Rubber Mallet			

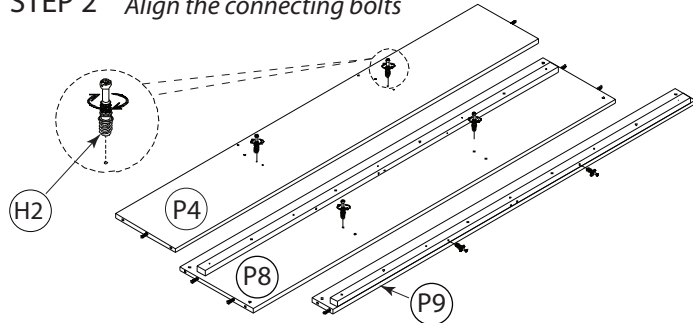
HARDWARE LIST

<p>H1 Screw #9 x 1 1/2"</p>  <p>Quantity: 16 pcs</p>	<p>H2 Connecting Bolts</p>  <p>Quantity: 6 pcs</p>	<p>H3 Cam Lock D15/12.5mm</p>  <p>Quantity: 6 pcs</p>	<p>H4 Wood Dowel M8 x 25</p>  <p>Quantity: 39 pcs</p>	<p>H5 Barrel Nut</p>  <p>Quantity: 12 pcs</p>
<p>H6 JCBC M6 x 50</p>  <p>Quantity: 12 pcs</p>	<p>H7 JCBC-W M6 x 50</p>  <p>Quantity: 6 pcs</p>	<p>H8 Machine screw M4 x 25</p>  <p>Quantity: 2 pcs</p>	<p>H9 Knob</p>  <p>Quantity: 2 pcs</p>	<p>H10 Screw for Hinges M3.5 x 14</p>  <p>Quantity: 16 pcs</p>
<p>H11 Hinges</p>  <p>Quantity: 4 sets</p>	<p>H12 Door Stopper</p>  <p>Quantity: 2 pcs</p>	<p>H13 Screw for Door Stopper M3.5 x 16</p>  <p>Quantity: 2 pcs</p>	<p>H14 Allen Key</p>  <p>Quantity: 1 pc</p>	<p>H15 Stickers</p>  <p>Quantity: 12 pcs</p>

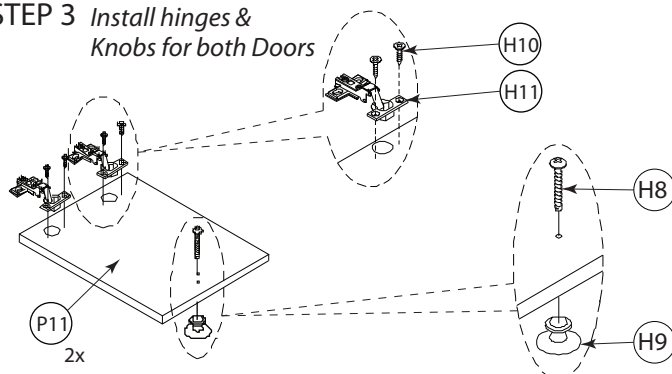
STEP 1 Insert wooden dowels



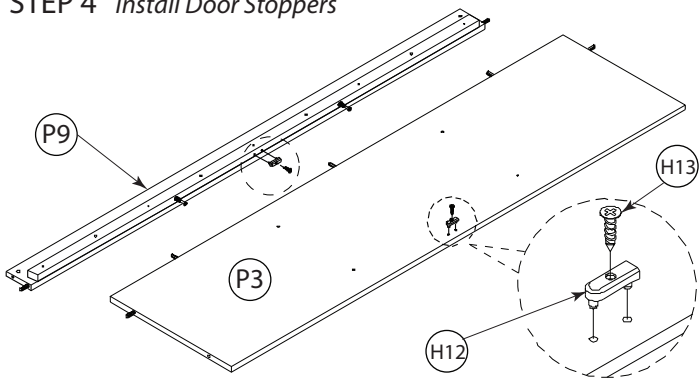
STEP 2 Align the connecting bolts



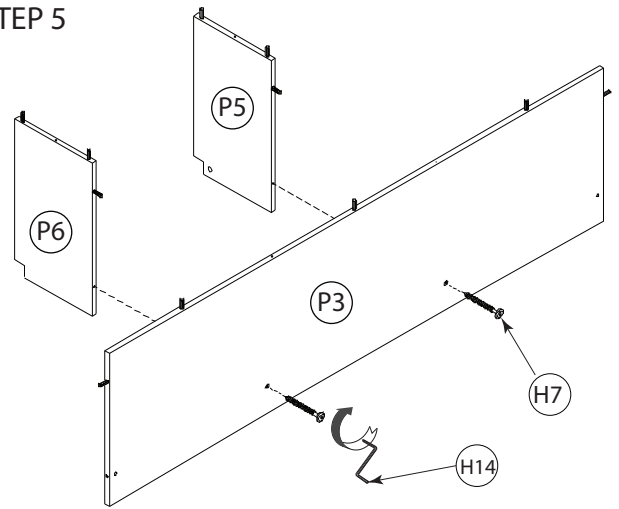
STEP 3 Install hinges & Knobs for both Doors



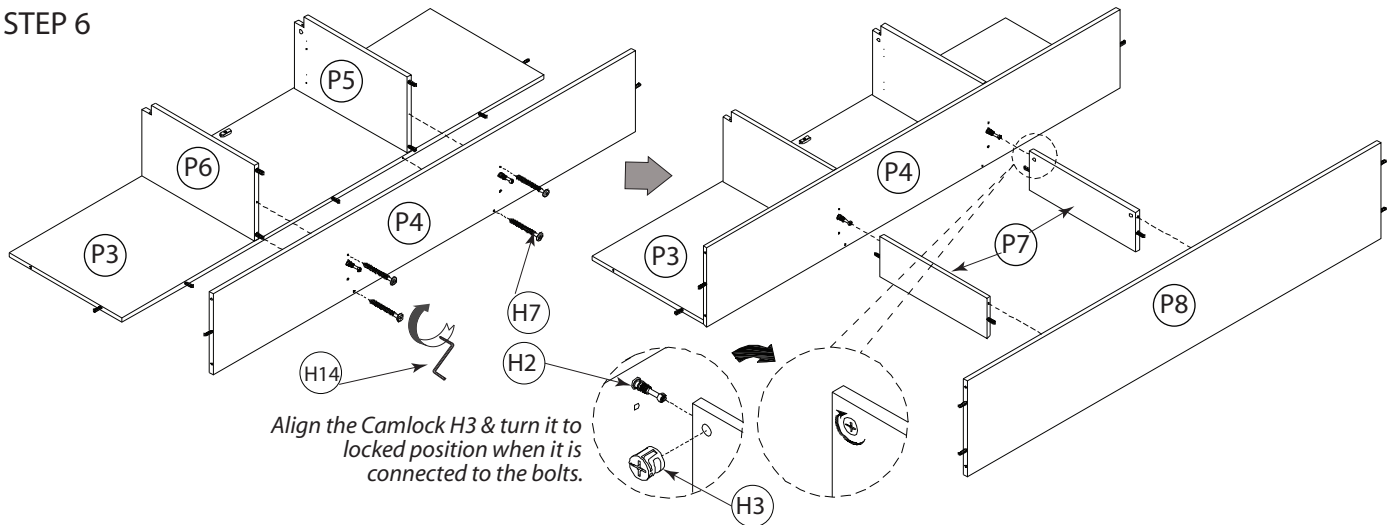
STEP 4 *Install Door Stoppers*



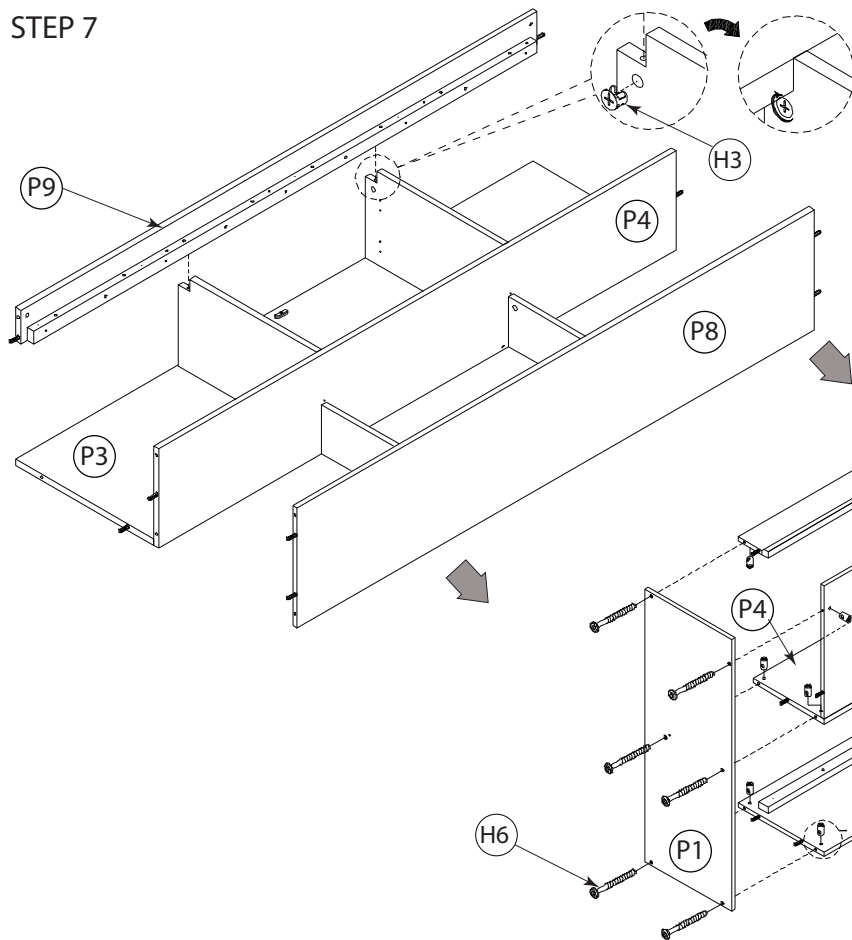
STEP 5



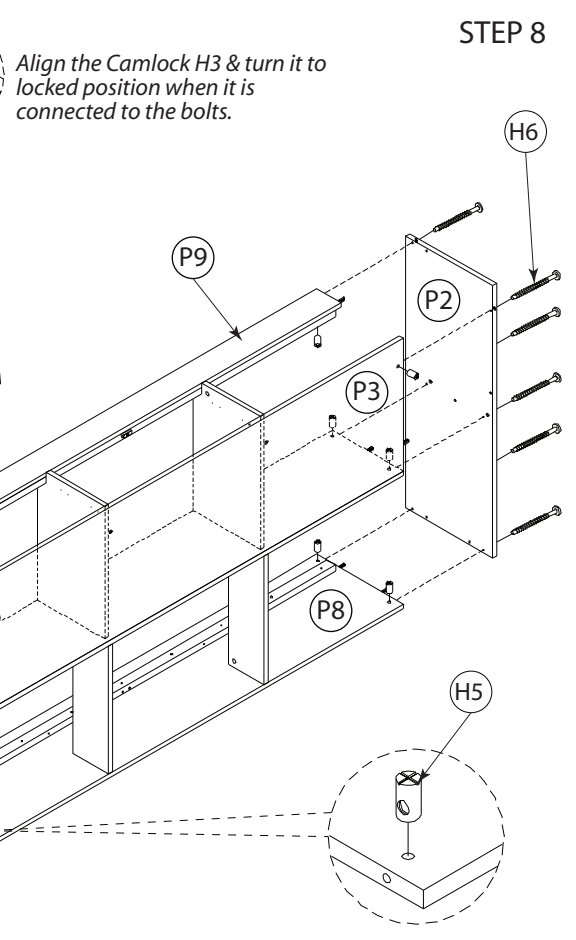
STEP 6



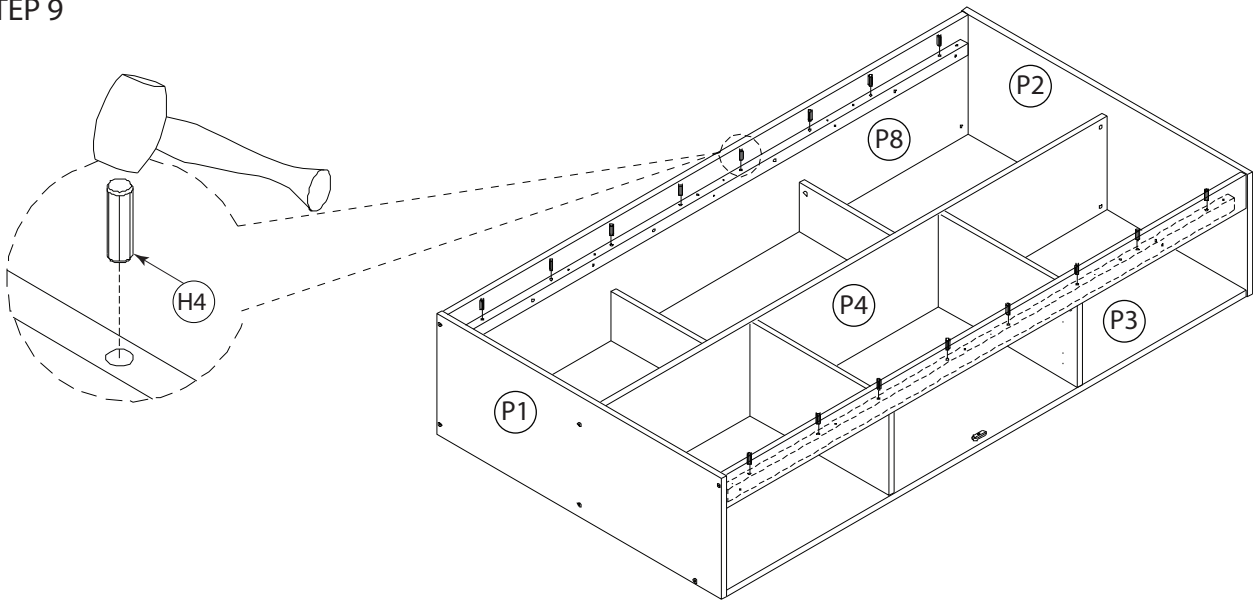
STEP 7



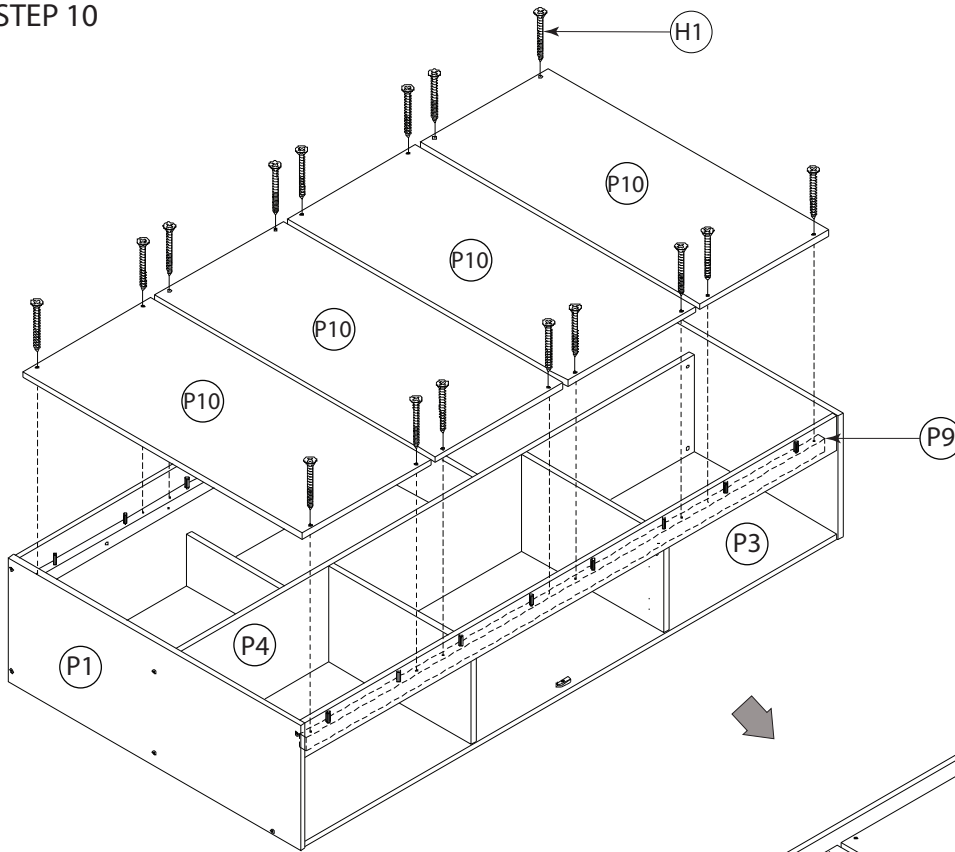
STEP 8



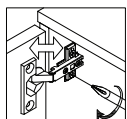
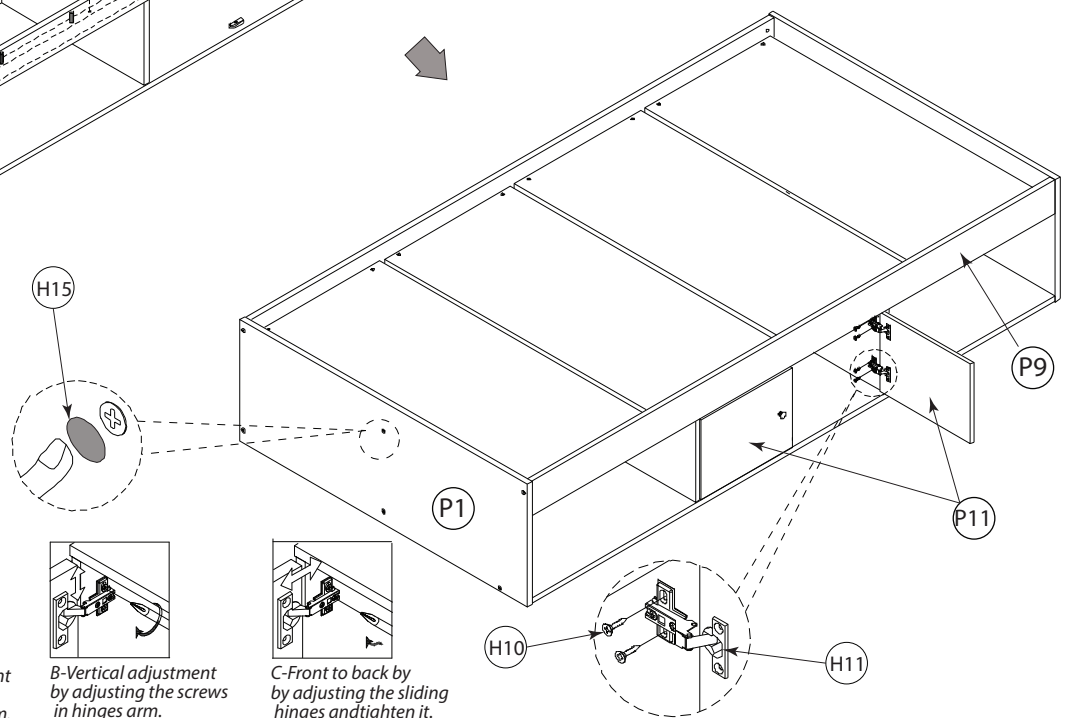
STEP 9



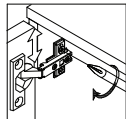
STEP 10



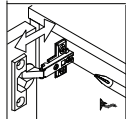
STEP 11 Install the Doors



A-Lateral adjustment by adjusting the screws in hinges arm.



B-Vertical adjustment by adjusting the screws in hinges arm.



C-Front to back by adjusting the sliding hinges and tighten it.