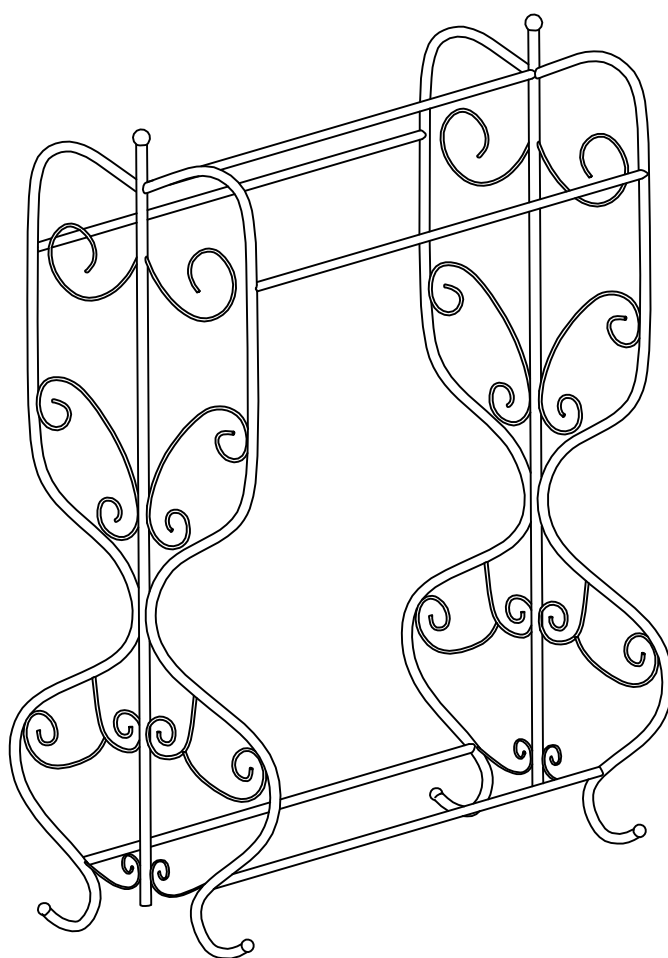




ASSEMBLY INSTRUCTIONS



Item #1400 Towel Rack



Part List

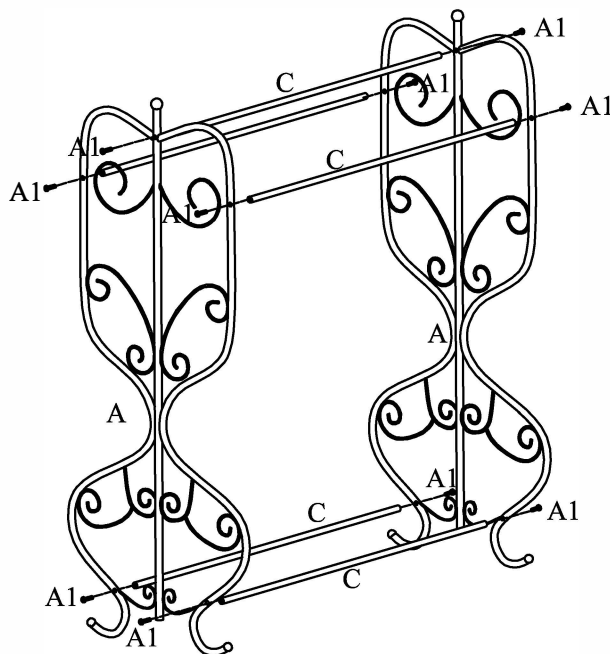
<p>A</p> 	<p>quantity of 2</p>	<p>B</p> 	<p>quantity of 5</p>
--	--------------------------	--	--------------------------

Hardware List

<p>A1</p>  <p style="text-align: right;">quantity of 10</p>	<p>A2</p>  <p style="text-align: right;">quantity of 1</p>
--	---

Assembly instructions

A1  10pcs



Place unit on the floor and check if it is stable before tightening all bolts.