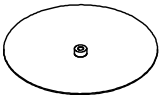

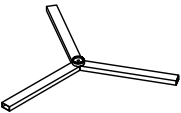




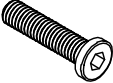
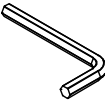
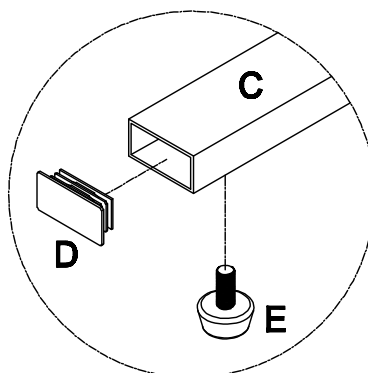
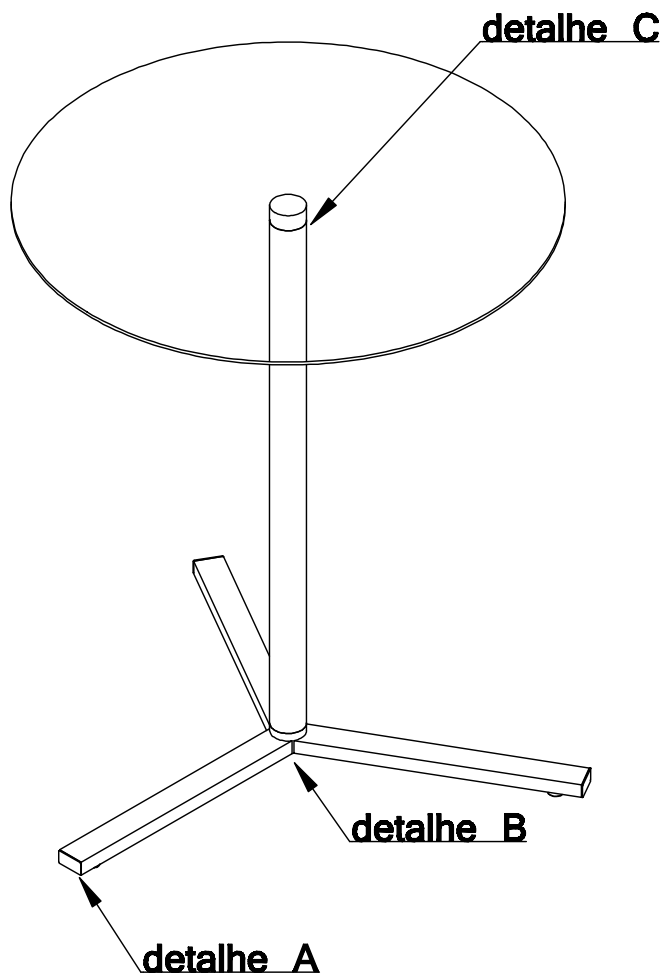


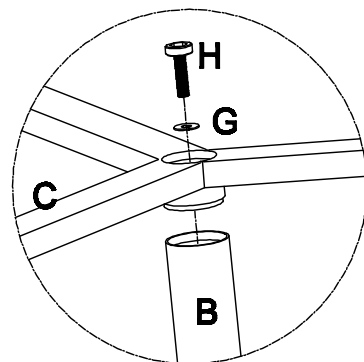
# ASSEMBLY INSTRUCTIONS

Contents:

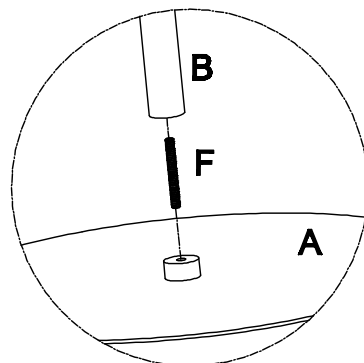
 <b>Ax1</b>	 <b>Bx1</b>	 <b>Cx1</b>	 <b>Dx3</b>	 <b>Ex3</b>
 <b>Fx1</b>	 <b>Gx1</b>	 <b>Hx1</b>	 <b>Ix1</b>	



**detalhe A**



**detalhe B**



**detalhe C**