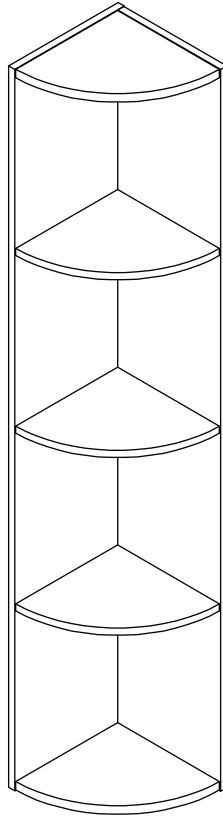


ASSEMBLY INSTRUCTIONS

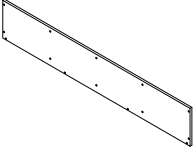
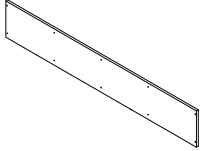
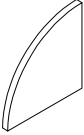
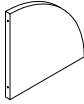
MODEL : #BK004 CORNER SHELVING UNIT



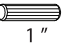
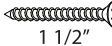
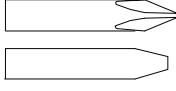
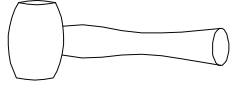
NOTE TO CUSTOMERS:

- For ease and speed of assembly we recommend that before you commence each step of the assembly that you identify all the parts required to complete that step.
- We recommend that where possible you allow sufficient space to assemble the item as close as possible to the place where it will be once assembled.
- For the protection of your furniture we recommend that the product is placed on a dry, soft, smooth and clean surfaces during assembly to prevent any damage. Avoid damp and direct sunlight.
- During assembly do not over tighten the screws or bolts, as this may damage the product.
- Please ensure you retain all the product packaging until the item is completely assembled.
- Periodically check all fitting and re-tighten as necessary.
- Never allow any liquids to remain on your furniture as absorption can cause the wood to warp or finish to de-laminate.
- It is recommended that this item should be assembled by two adults.

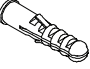
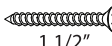

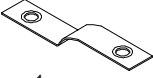
PARTS IDENTIFICATION

<p>P1 Quantity: 1</p>  <p>Side Panel Left</p>	<p>P2 Quantity: 1</p>  <p>Side Panel Right</p>	<p>P3 Quantity: 2</p>  <p>Top & Bottom Panels</p>	<p>P4 Quantity: 3</p>  <p>Shelving Panels</p>	
--	---	--	--	--

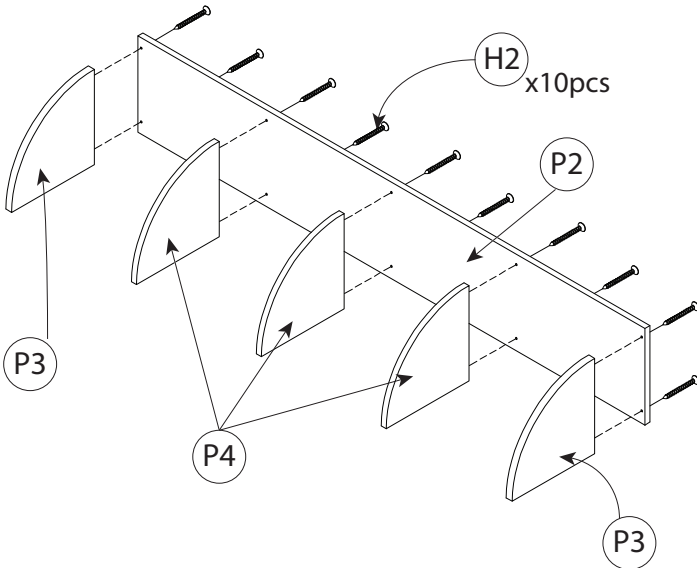
HARDWARE LIST

<p>H1 Wooden Dowel m8 x 25mm</p>  <p>Quantity: 3 pcs</p>	<p>H2 Screw #9 x 1 1/2"</p>  <p>Quantity: 24 pcs</p>	<p>TOOLS REQUIRED</p>  <p>SCREW DRIVER</p>	 <p>MALLET</p>
---	---	--	---

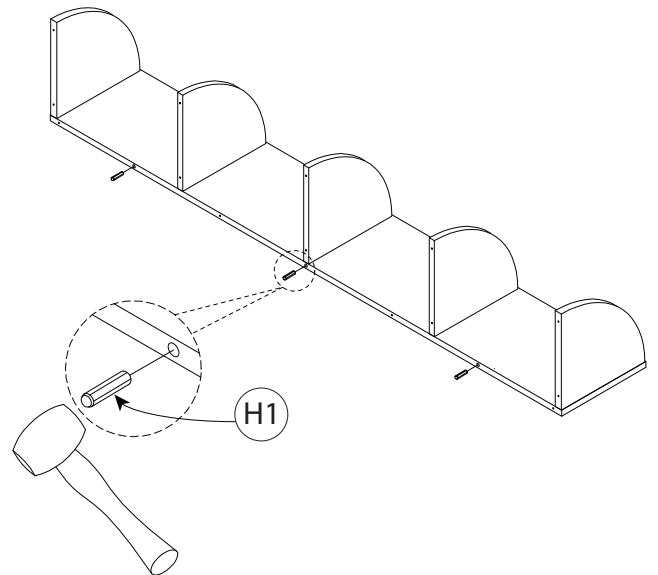
ANTI-TIPPING FITTINGS

<p>H3 Wall Plug</p>  <p>Quantity: 1 pc</p>	<p>H4 Screw #9 x 1 1/2"</p>  <p>Quantity: 1 pc</p>	<p>H5 Screw m3.5 x 12mm</p>  <p>Quantity: 1 pc</p>	<p>H6 Anti-Tip strap</p>  <p>Quantity: 1 pc</p>
---	---	---	--

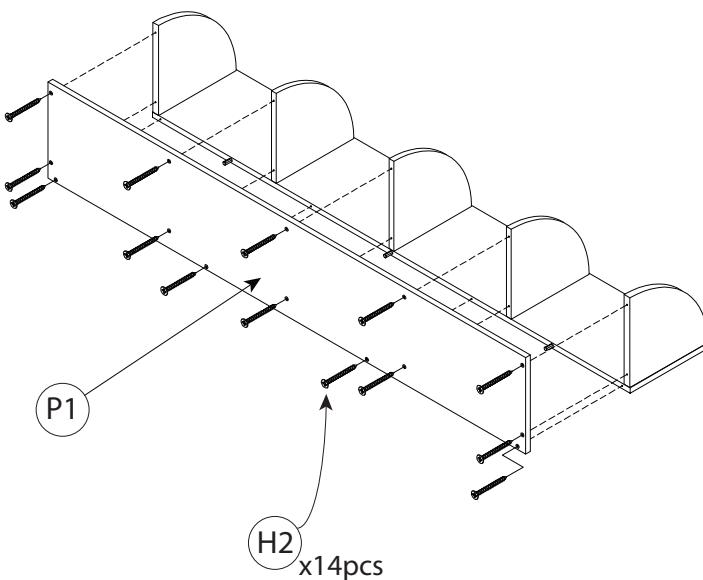
STEP 1



STEP 2



STEP 3



STEP 4 Assemble Anti-Tip Fittings

