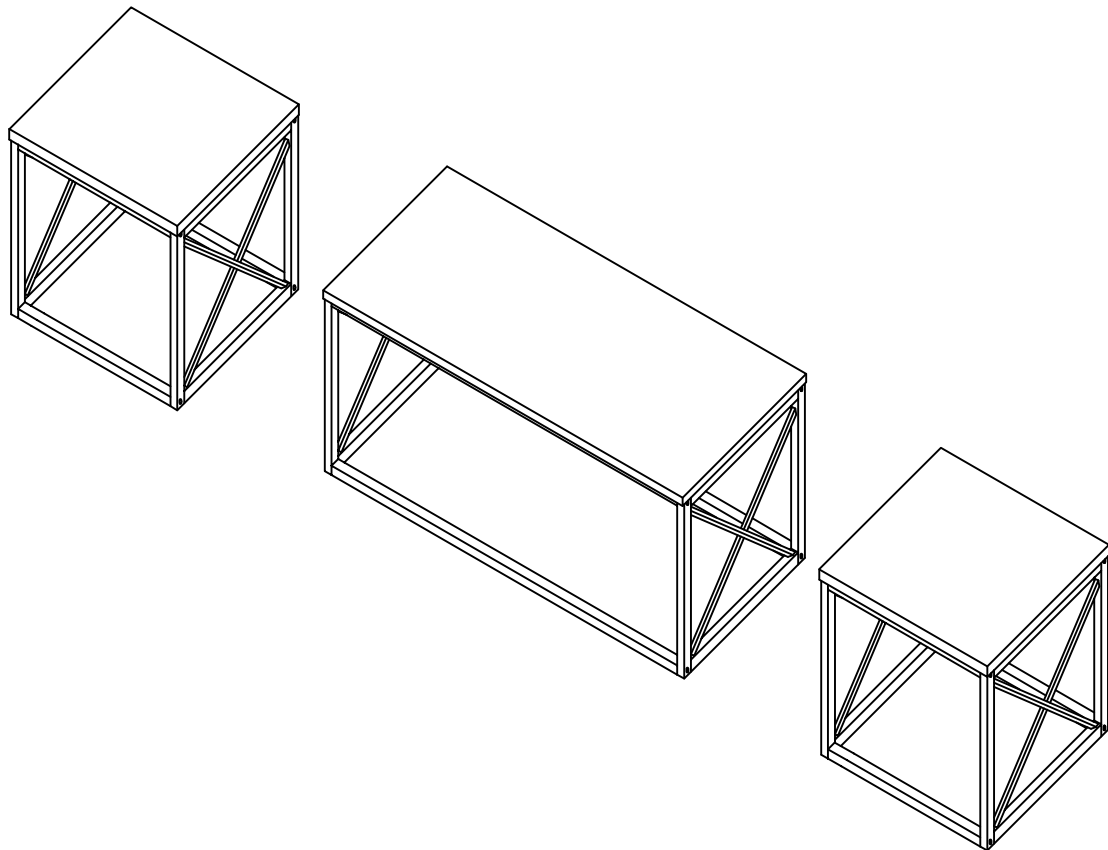


ASSEMBLY INSTRUCTIONS

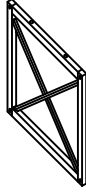
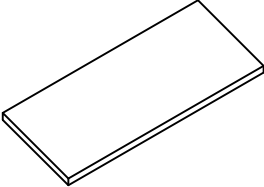
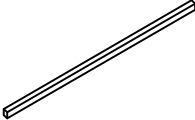
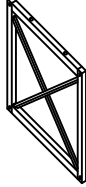
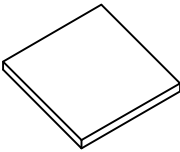

Style # T1000 3 Pack Table



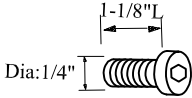
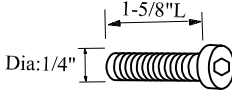

NOTE TO CUSTOMERS:

- For ease and speed of assembly we recommend that before you commence each step of the assembly that you identify all the parts required to complete that step.
- We recommend that where possible you allow sufficient space to assemble the item as close as possible to the place where it will be once assembled.
- For the protection of your furniture we recommend that the product is placed on protected surfaces during assembly to prevent any damage.
- During assembly do not over tighten, as this may damage the product.
- Please ensure you retain all the product packaging until the item completely assembled.
- Please periodically check all fittings and re-tighten as necessary.
- Never allow any liquids to remain on your furniture as absorption can cause the wood to warp or the finish to de-laminate.
- It is recommended that this item should be assembled by two adults.

Part List

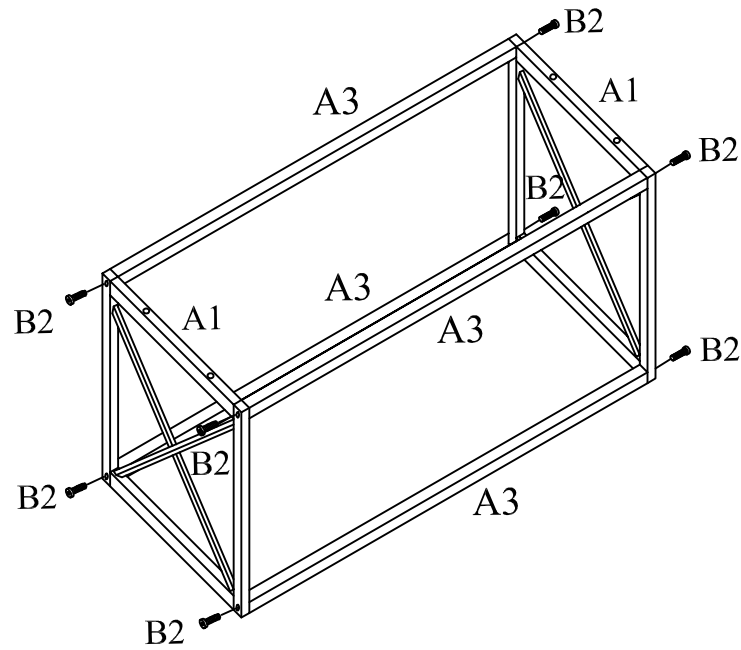
A1		Side Frame-Coffee Table	2PCS
A2		Top Panel-Coffee Table	1PC
A3		Connect Bar-Coffee Table	4PCS
A4		Side Frame-End Table	4PCS
A5		Top Panel-End Table	2PCS
A6		Connect Bar-End Table	8PCS

Hardware List

B1		Bolt	12PCS
B2		Bolt	24PCS
		Allen Wrench	1PC

STEP 1

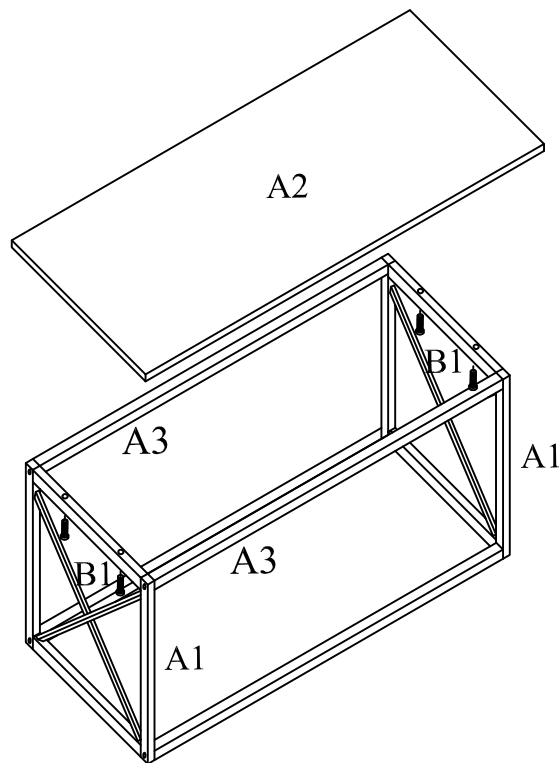
B2  8pcs



Assemble Connect Bars A3 to Side Frames A1 using Bolts B2.
Noted: Please do not tighten Bolts B2 until Step 2.

STEP 2

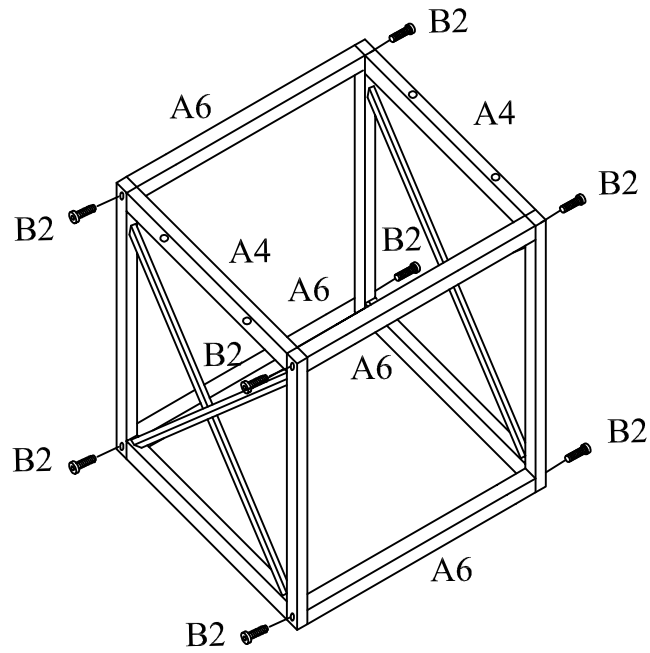
B1  4pcs



Assemble Top Panel A2 to Side Frames A1 using Bolts B1.
Noted: Place the table on the floor and check if it is stable before tightening all bolts.

STEP 3

B2  16pcs

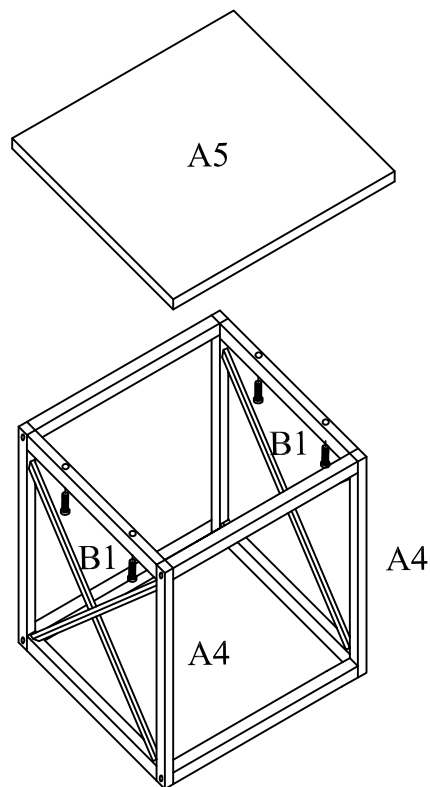


X2

Assemble Connect Bars A6 to Side Frames A4 using Bolts B2.
Noted: Please do not tighten Bolts B2 until Step 4.

STEP 4

B1  8pcs



X2

Assemble Top Panel A5 to Side Frames A4 using Bolts B1.
Noted: Place the table on the floor and check if it is stable before tightening all bolts.