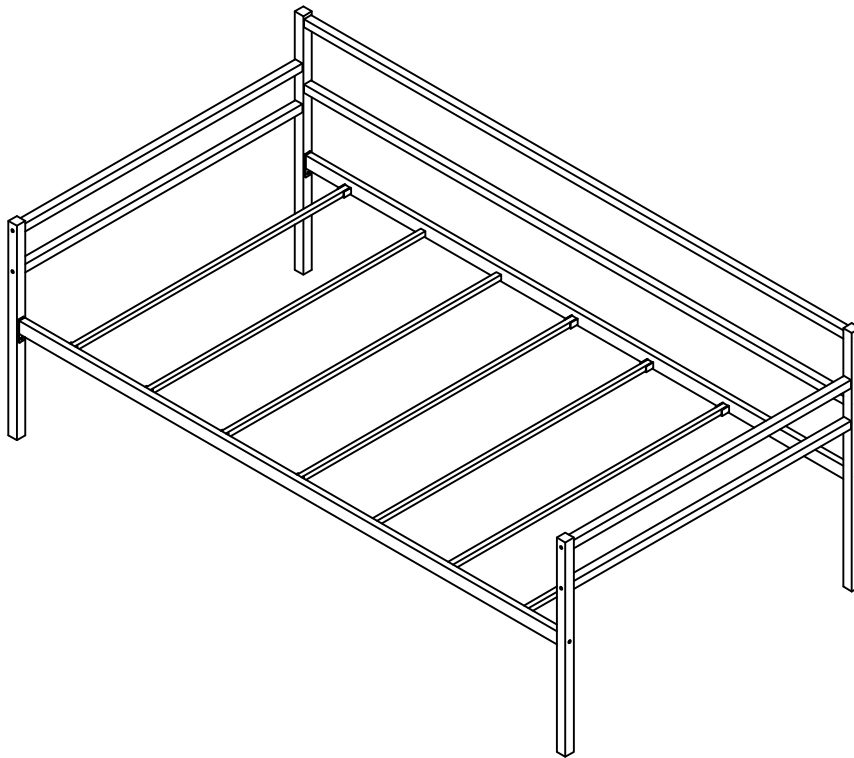


ASSEMBLY INSTRUCTIONS



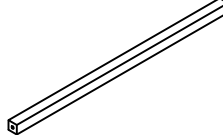
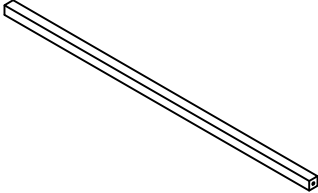
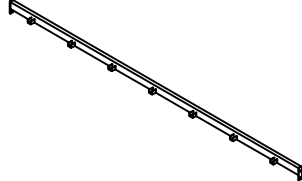
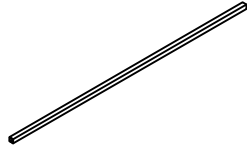
Style #DB214 Day Bed



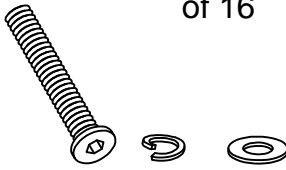



NOTE TO CUSTOMERS:

- For ease and speed of assembly we recommend that before you commence each step of the assembly that you identify all the parts required to complete that step.
- We recommend that where possible you allow sufficient space to assemble the item as close as possible to the place where it will be once assembled.
- For the protection of your furniture we recommend that the product is placed on protected surfaces during assembly to prevent any damage.
- During assembly do not over tighten, as this may damage the product.
- Please ensure you retain all the product packaging until the item completely assembled.
- Please periodically check all fittings and re-tighten as necessary.
- It is recommended that this item should be assembled by two adults.

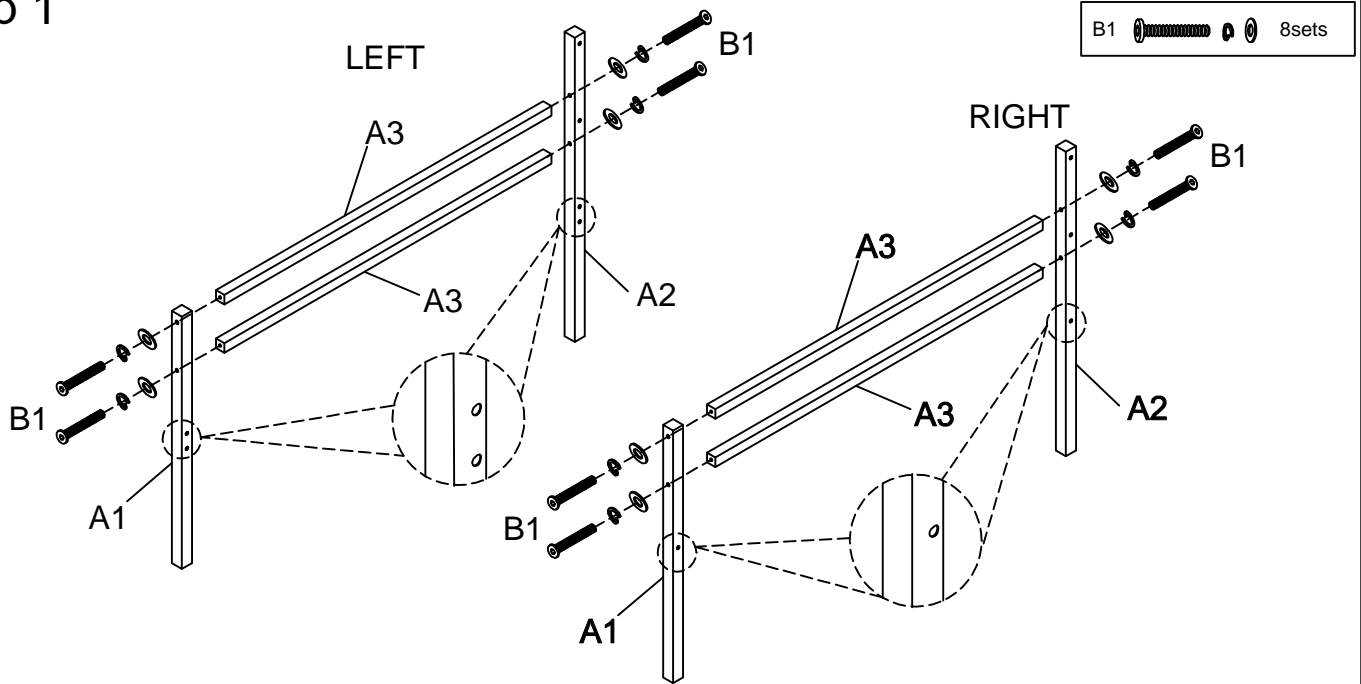
PART LIST

<p>A1. Quantity of 2</p>  <p>Front Leg</p>	<p>A2. Quantity of 2</p>  <p>Rear Leg</p>	<p>A3. Quantity of 4</p>  <p>Side Cross Bar</p>	<p>A4. Quantity of 2</p>  <p>Back Cross Bar</p>
<p>A5. Quantity of 2</p>  <p>Side Rail</p>	<p>A6. Quantity of 7</p>  <p>Slat</p>		

HARDWARE LIST

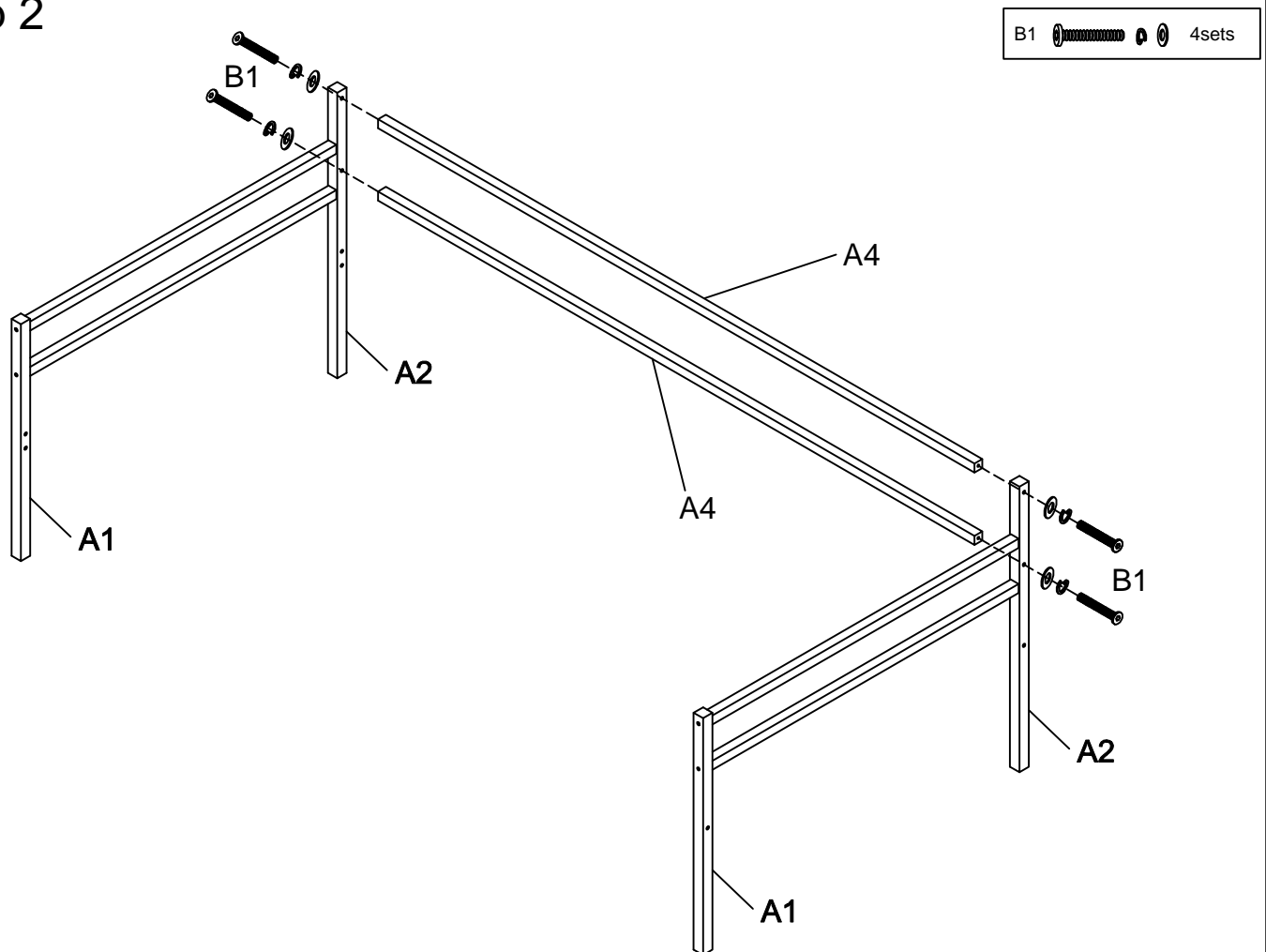
<p>B1. Quantity of 16</p>  <p>Bolt with washer</p>	<p>B2. Quantity of 4</p>  <p>Bolt with washer</p>	<p>B3. Quantity of 14</p>  <p>Bolt</p>	<p>Quantity of 1</p>  <p>Allen Wrench</p>
---	--	---	--

Step 1



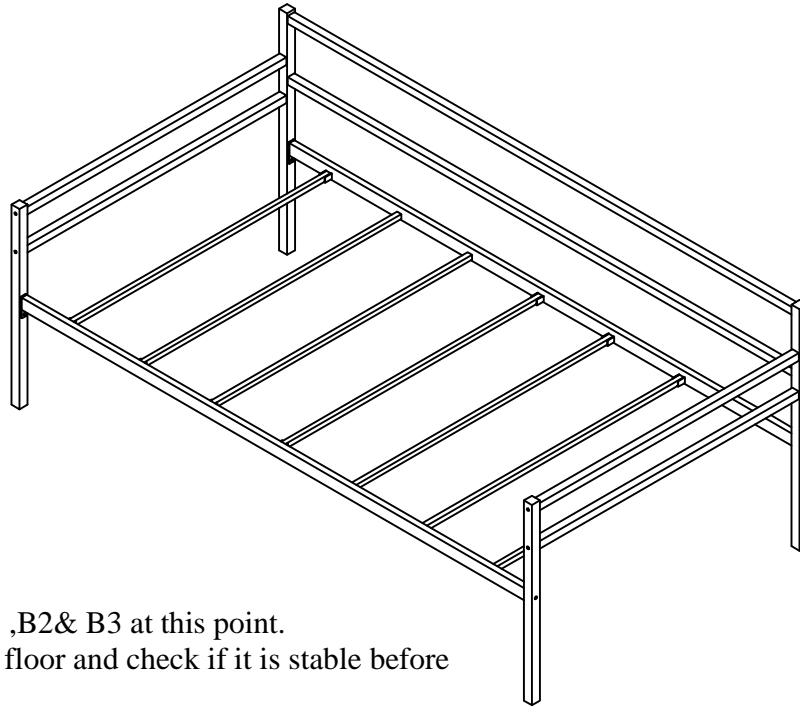
Assemble Side Cross Bars A3 to Front Legs A1 & Rear Legs A2 using Bolts B1 with spring washers and flat washers.
(NOTE: Please do not tighten Bolts B1 until Step 5.)

Step 2



Assemble Back Cross Bars A4 to Rear Legs A2 using Bolts B1 with spring washers and flat washers.
(NOTE: Please do not tighten Bolts B1 until Step 5.)

Step 5



Please tighten all bolts B1 ,B2& B3 at this point.

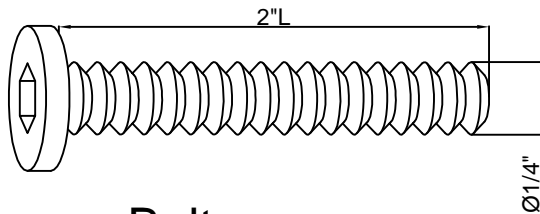
Note:Place the bed on the floor and check if it is stable before tightening all bolts.

Warning:

- 1). Always use the recommended size of mattress or mattress support to help prevent the likelihood of entrapment or falls.
- 2). For your safety do not jump on the bed.
- 3). The use of water or sleep flotation mattress on the bed is not recommended.
- 4). The weight load on this bed should never exceed 500lbs. Exceeding this weight limit may cause the bed to collapse, resulting in serious personal injury and property damage.

APPENDIX: Dimension of hardware in this AI.

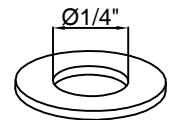
B1



Bolt

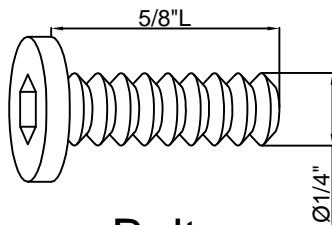


Spring Washer



Flat Washer

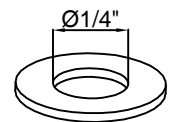
B2



Bolt

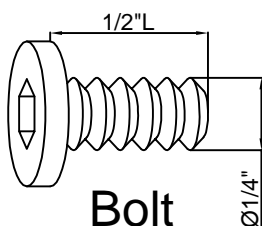


Spring Washer



Flat Washer

B3



Bolt