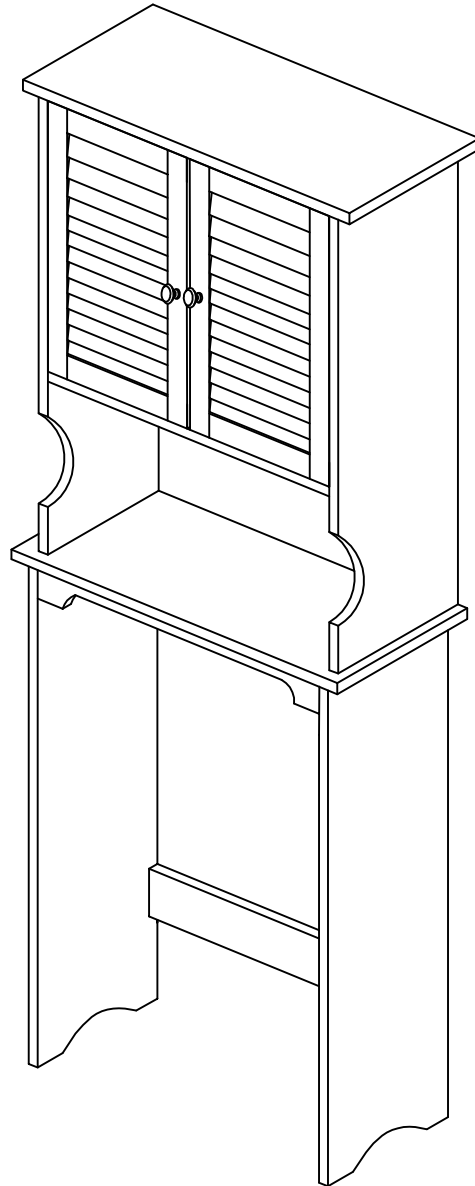


Assembly Instructions

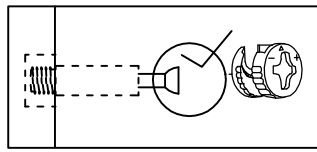
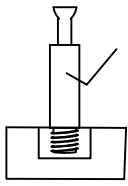
Style# BM1143 Space Saver



NOTE TO CUSTOMERS:

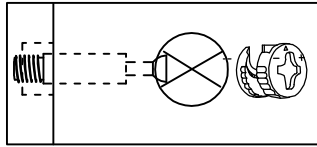
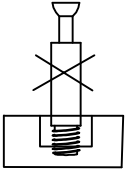
- For ease and speed of assembly we recommend that before you commence each step of the assembly that you identify all the parts required to complete that step.
- We recommend that where possible you allow sufficient space to assemble the item as close as possible to the place where it will be once assembled.
- For the protection of your furniture we recommend that the product is placed on protected surfaces during assembly to prevent any damage.
- During assembly do not over tighten, as this may damage the product.
- Please ensure you retain all the product packaging until the item completely assembled.
- Please periodically check all fittings and re-tighten as necessary.
- Never allow any liquids to remain on your furniture as absorption can cause the wood to warp or the finish to de-laminate.
- It is recommended that this item should be assembled by two adults.

To use a cam lock: (Please read below instructions before assembling)



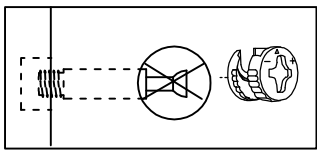
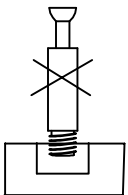
1. Insert cam screw into hole as shown in diagram A .

Diagram B

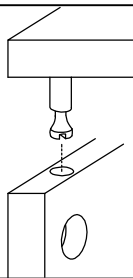


Make sure not to insert the cam screw:
Too deep as shown in figure B as this will cause the
cam screw to be misaligned and unable to
interlock properly.

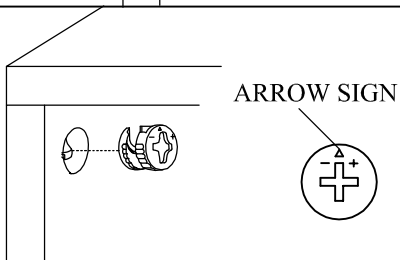
Diagram C



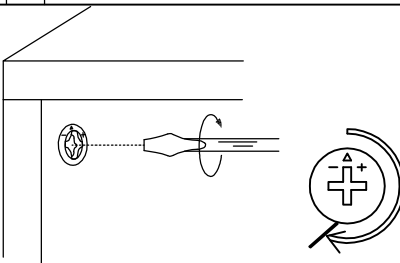
Also avoid inserting the cam screw too close to the
surface of the hole as shown in figure C, as this will
cause the cam lock to be too loose, and not interlock
properly.



2. Connect the panels together.



3. When inserting the cam lock make sure the arrow
of the cam lock faces the cam screw.



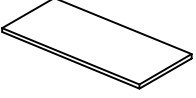

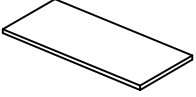
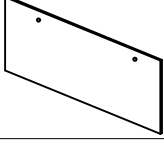
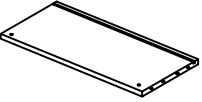
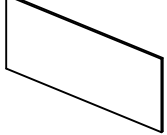
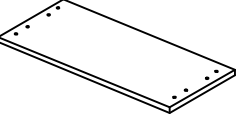

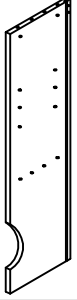
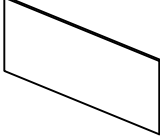
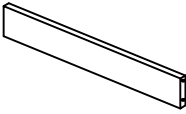
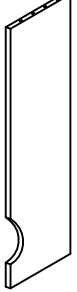

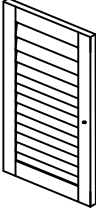

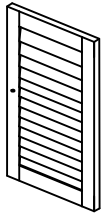

4. To tighten the cam lock turn the cam lock clockwise
90-180 degree or until the arrow is facing opposite
the place cam lock was inserted.

**NOTE: DO NOT USE AN AUTOMATIC
SCREWDRIVER TO TIGHTEN CAM LOCKS.**

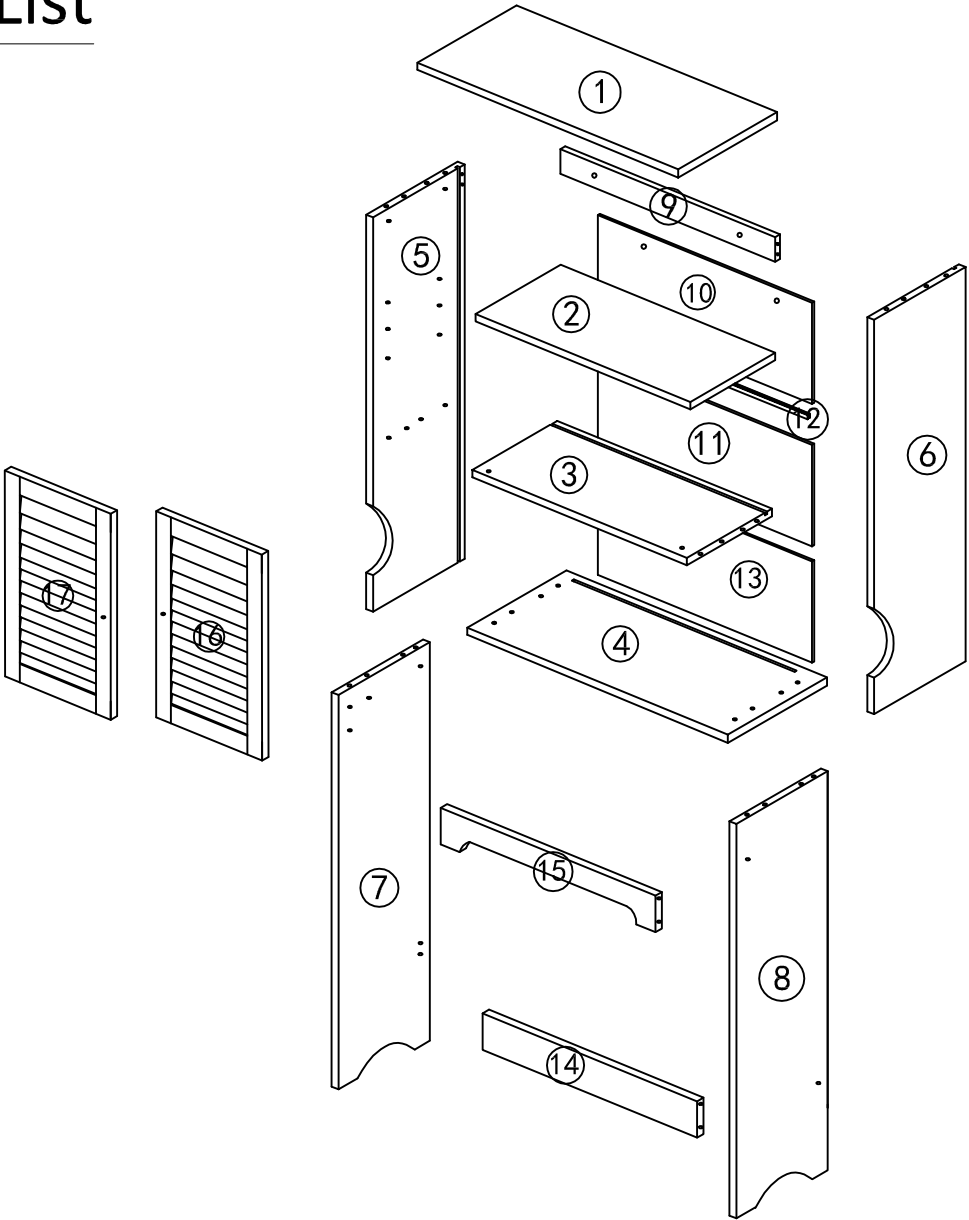
Note:

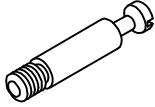






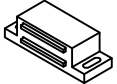

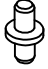
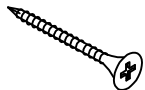
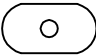


- Read these instructions carefully before assembling.
- Tools required : Phillips screwdriver, flat screwdriver.
- Find a clean, smooth area on which to work , such as a carpet, in order to avoid scratching the wood surfaces.
- Wait to dispose of the packing material until assembly is complete and all parts and hardware are accounted for.
- Two or more people might be required for assembly.

Part List

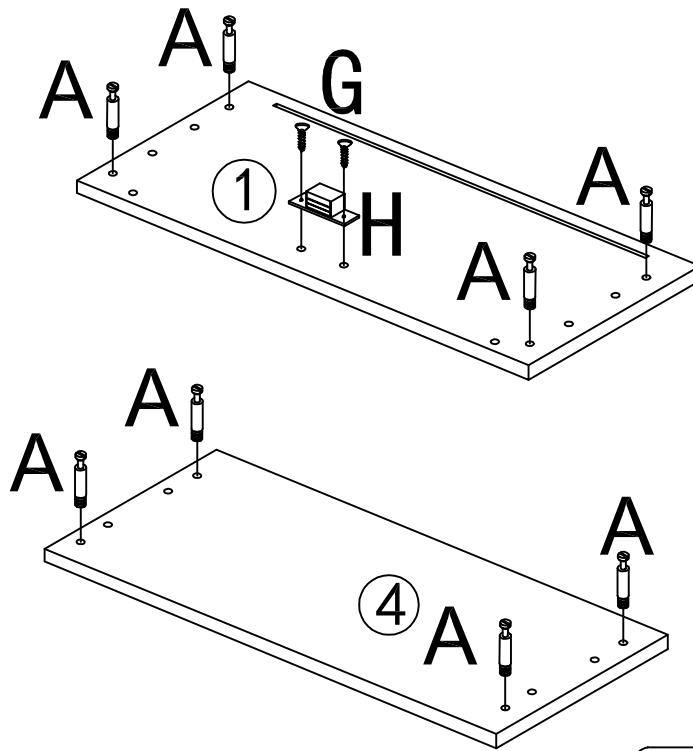
PART	FIGURE	DESCRIPTION	QTY	PART	FIGURE	DESCRIPTION	QTY
(1)		Top Panel	1PC	(9)		Back Connect Bar	1PC
(2)		Adjustable Shelf	1PC	(10)		Upper Back Panel	1PC
(3)		Upper Divider	1PC	(11)		Center Back Panel	1PC
(4)		Center Divider	1PC	(12)		Back Support Bar	1PC
(5)		Upper Side Panel -Left	1PC	(13)		Lower Back Panel	1PC
				(14)		Bottom Connect Bar	1PC
(6)		Upper Side Panel -Right	1PC	(15)		Front Apron	1PC
				(16)		Right Door	1PC
(7)		Lower Side Panel -Left	1PC	(17)		Left Door	1PC
(8)		Upper Side Panel -Right	1PC				

Part List



<p>Ax8</p> 	<p>Bx8</p> 	<p>Cx24</p>  <p>1/4"x1.25"(30mm)</p>	<p>Dx2</p> 
<p>Ex2</p> 	<p>Fx2</p> 	<p>Gx2</p> 	<p>Hx1</p> 
<p>Ix4</p> 	<p>Jx4</p> 	<p>Kx14</p>  <p>1/8"x1.4"(35mm)</p>	<p>Lx2</p> 
<p>Mx2</p>  <p>1/8"x3/8"</p>	<p>Nx8</p> 		

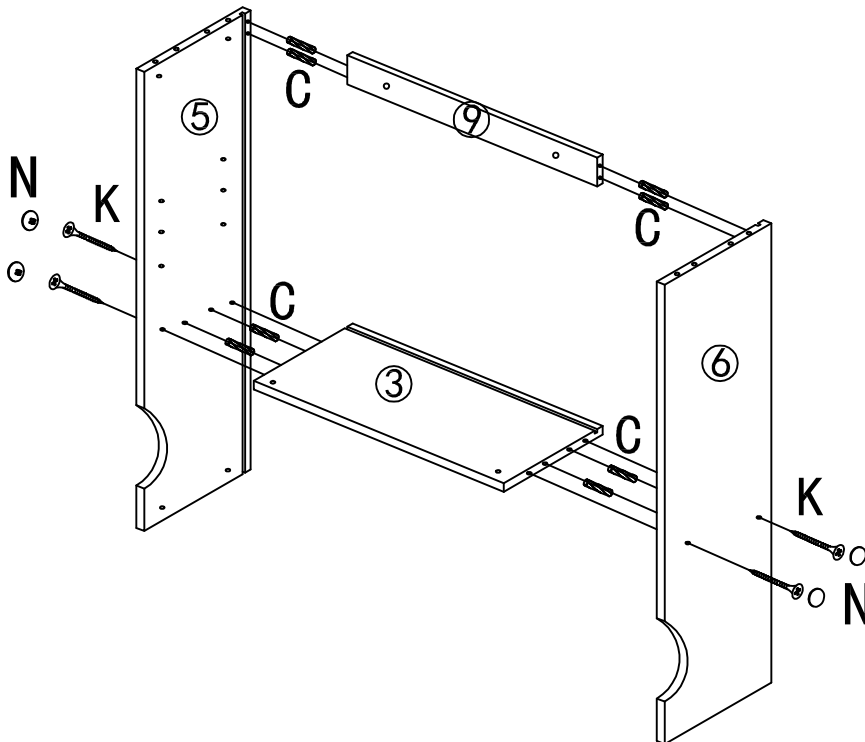
STEP 1



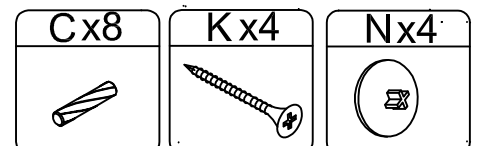
- 1). Screw Cam-bolts (A) to Top Panel (1) and Center Divider (4) as shown above.
- 2). Attach Magnet (H) to the bottom of top panel using Screws (G) as shown above.



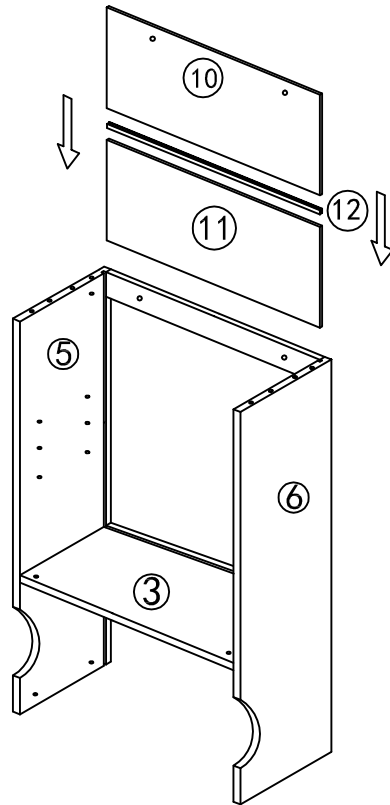
STEP 2



Assemble Upper Side Panels (5)&(6) to Upper Divider (3) & Back Connect Bar (9) using Wood Dowels (C) and Screws(K),then cover holes on the Upper Side Panels (5)&(6) with Screw-hole caps (N) as shown above.

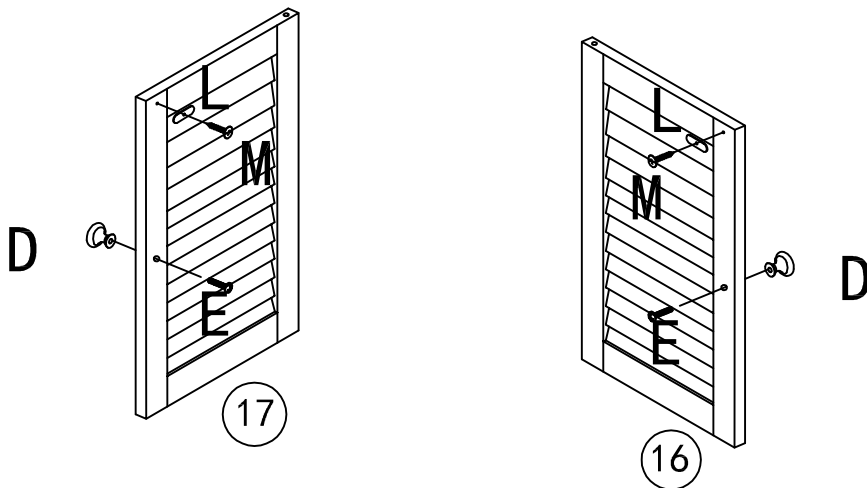


STEP 3

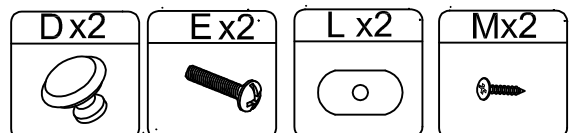


Insert Back Panels (10)&(11) and Back Support Bar (12) into grooves on Side Panels (5)&(6) and Upper Divider (3) as shown above.

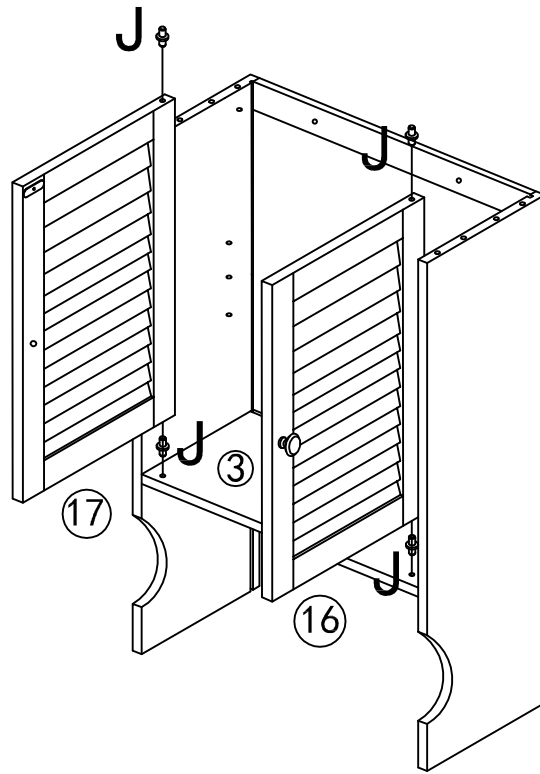
STEP 4



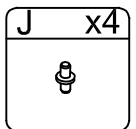
- 1). Attach Handles (D) to Doors (16)&(17) using Bolts (E) as shown above.
- 2). Attach Metal Plates (L) to Door (16)&(17) using Screws (M) as shown above.



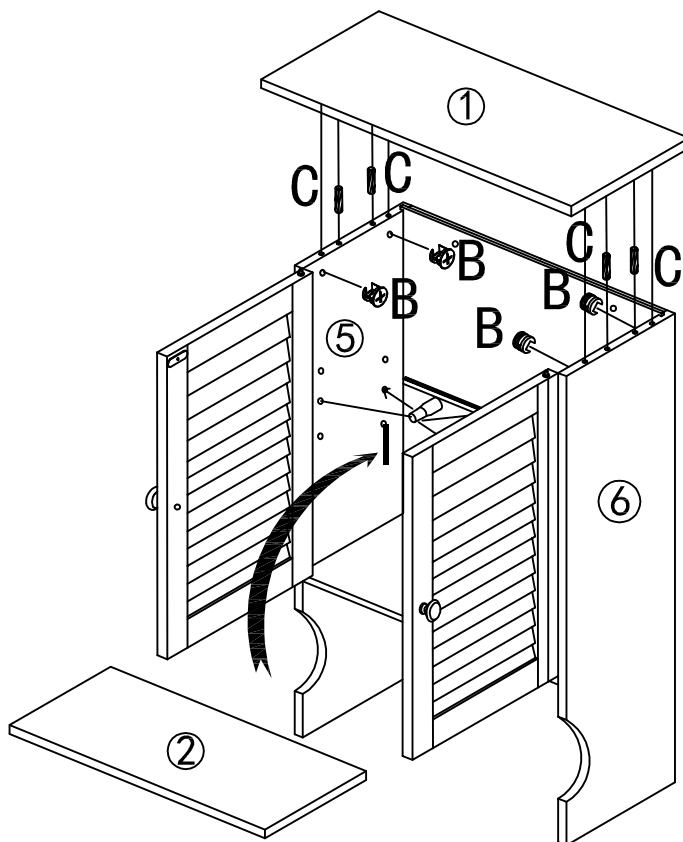
STEP5



Insert Door Pins (J) into doors, then attach Doors (16)&(17) into holes on Upper Divider (3) and hold it carefully until next step.

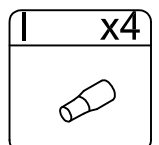
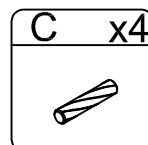
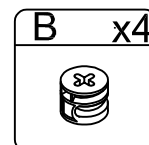


STEP 6

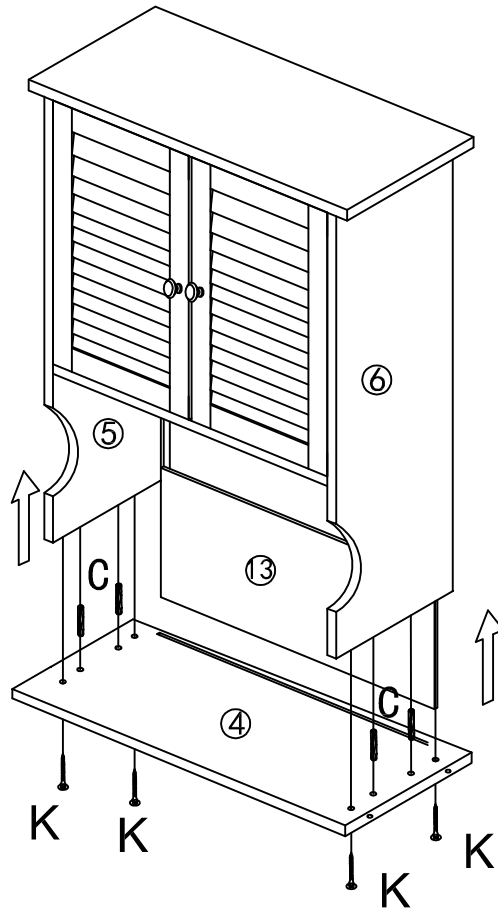


1). While holding the door in place, assemble the top panel (1) to Upper Side Panels (5)&(6) using Cam-nuts (B) and Wood Dowels (C) as shown above.

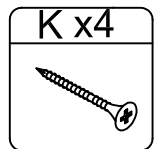
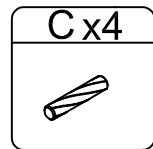
2). Insert Shelf Supports (I) into holes on Upper Side Panels (5)&(6), then place Adjustable Shelf (2) onto Shelf Supports (I).



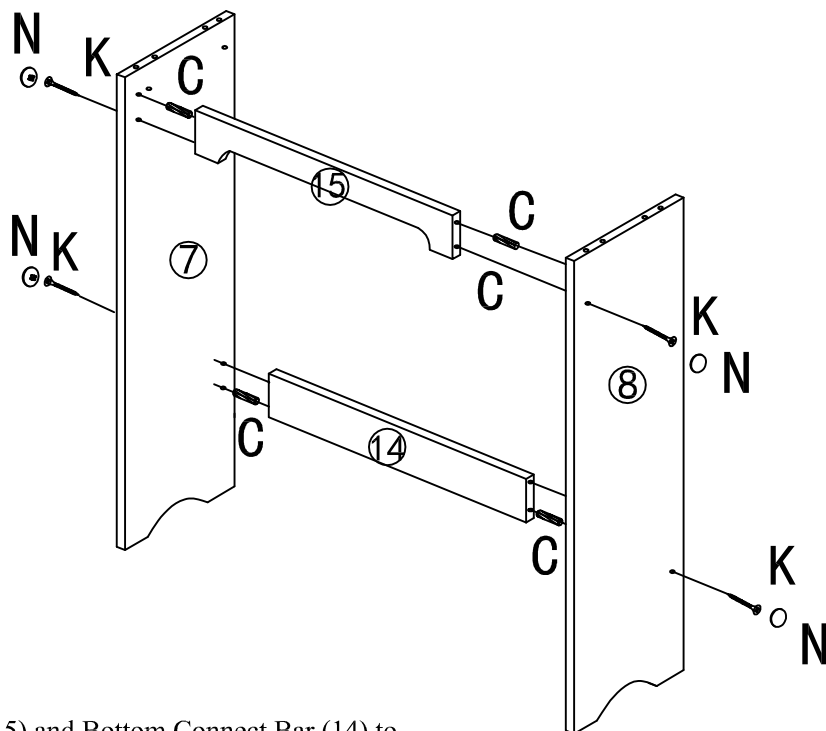
STEP 7



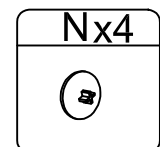
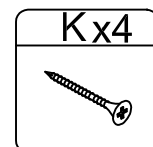
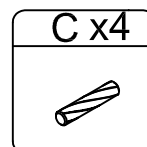
- 1).Insert Lower Back Panel (13) into grooves on Upper Side Panels (5)&(6) as shown above.
- 2).Assemble Center Divider (4) to Upper Side Panels (5)&(6) using Wood Dowels (C) and Screws (K) as shown above.



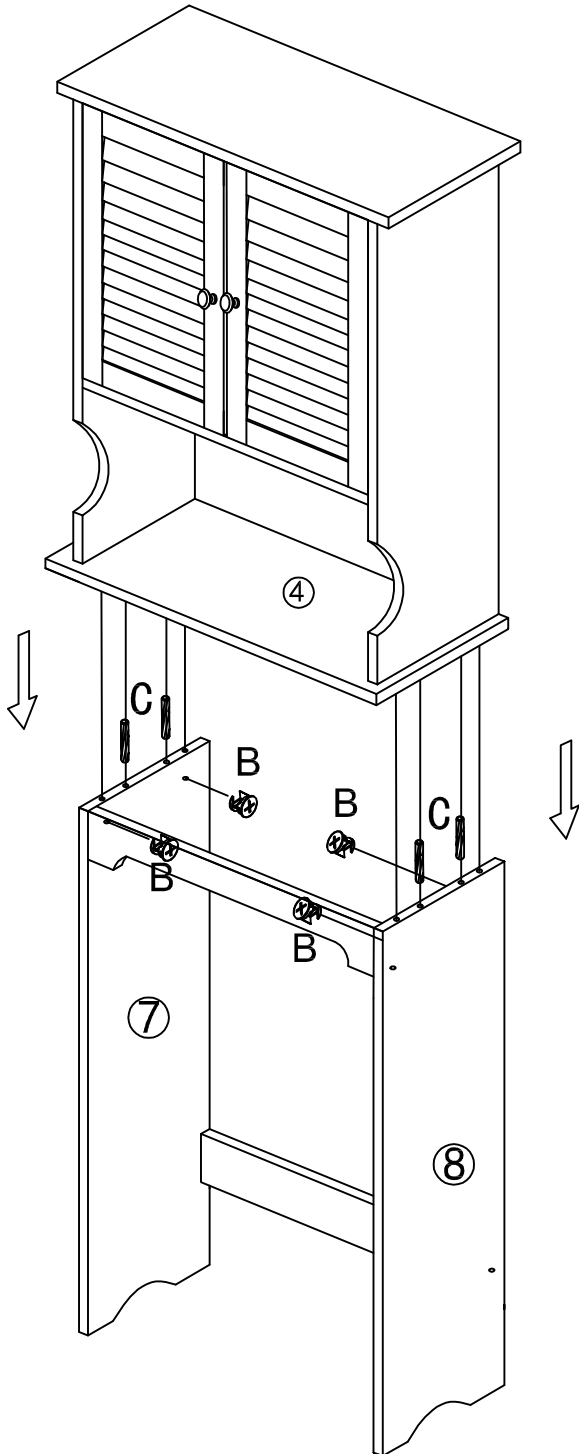
STEP 8



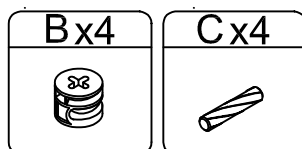
- Assemble Front Apron (15) and Bottom Connect Bar (14) to Lower Side Panels (7)&(8) using Wood Dowels (C) and Screws (K), then cover holes on the Lower Side Panels (7)&(8) with Screw-hole caps (N) as shown above.



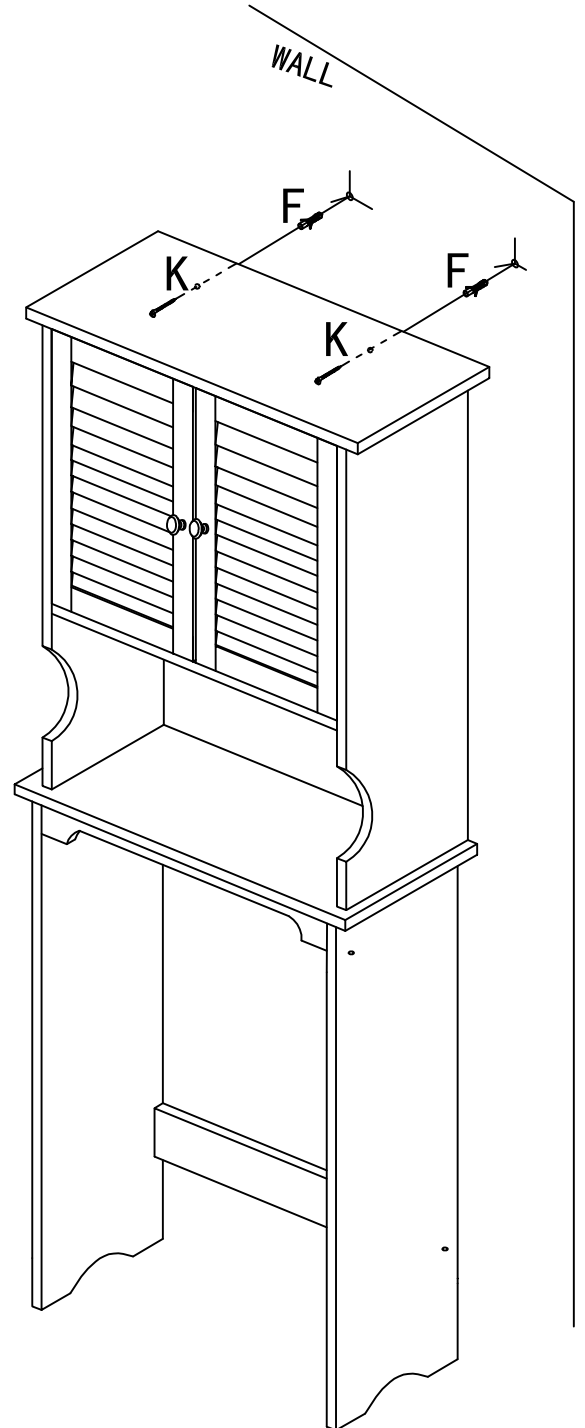
STEP 9



Assemble Center Divider (4) to Lower Side Panels (7)&(8) using Wood Dowels (C) and Cam-nuts (B) as shown above.



STEP 10



For your safety, please attach this unit to the wall by Screws (K) and Anchors (F) as shown above.

