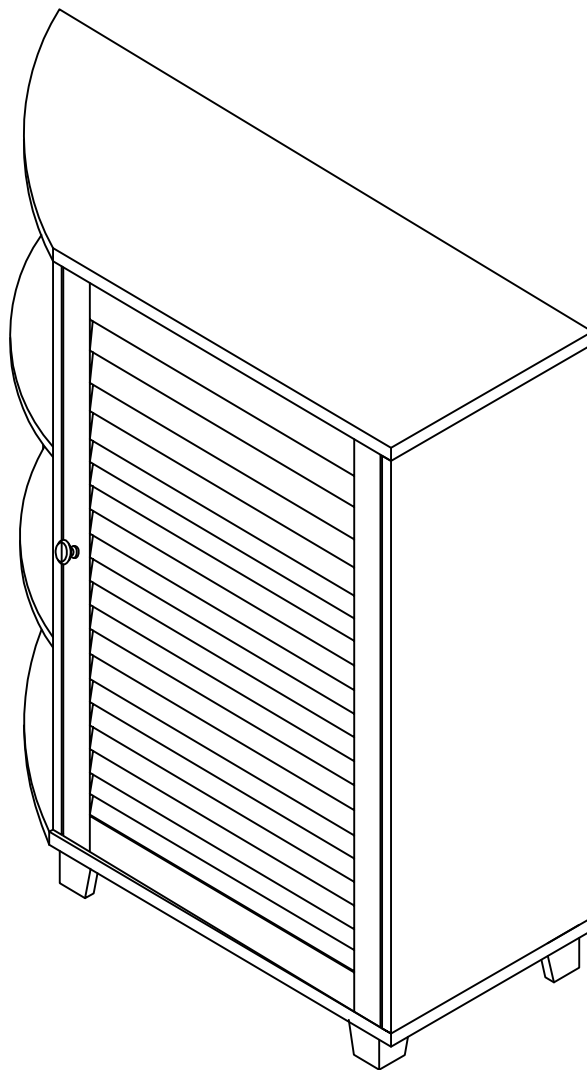


Assembly Instructions

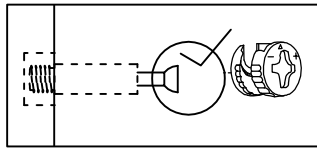
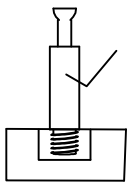
Style# BM1142 Standing Cabinet



NOTE TO CUSTOMERS:

- For ease and speed of assembly we recommend that before you commence each step of the assembly that you identify all the parts required to complete that step.
- We recommend that where possible you allow sufficient space to assemble the item as close as possible to the place where it will be once assembled.
- For the protection of your furniture we recommend that the product is placed on protected surfaces during assembly to prevent any damage.
- During assembly do not over tighten, as this may damage the product.
- Please ensure you retain all the product packaging until the item completely assembled.
- Please periodically check all fittings and re-tighten as necessary.
- Never allow any liquids to remain on your furniture as absorption can cause the wood to warp or the finish to de-laminate.
- It is recommended that this item should be assembled by two adults.

To use a cam lock: (Please read below instructions before assembling)



1. Insert cam screw into hole as shown in diagram A .

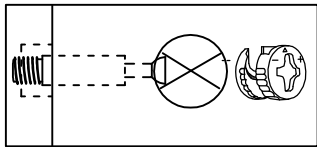
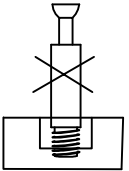


Diagram B

Make sure not to insert the cam screw:
Too deep as shown in figure B as this will cause the
cam screw to be misaligned and unable to
interlock properly.

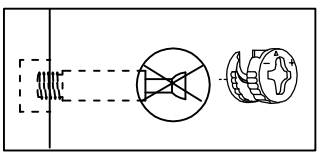
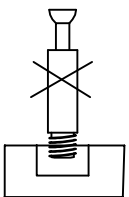
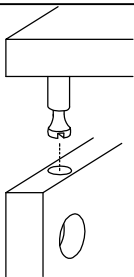
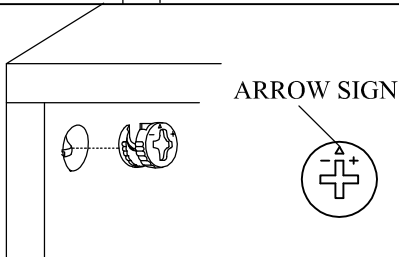


Diagram C

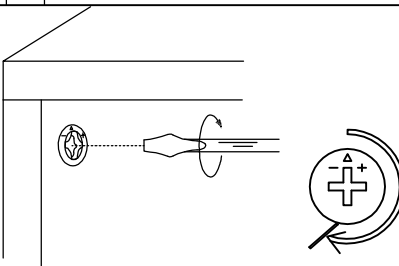
Also avoid inserting the cam screw too close to the
surface of the hole as shown in figure C, as this will
cause the cam lock to be too loose, and not interlock
properly.



2. Connect the panels together.



3. When inserting the cam lock make sure the arrow
of the cam lock faces the cam screw.



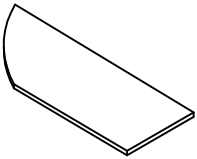

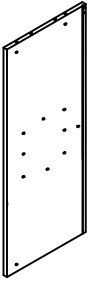
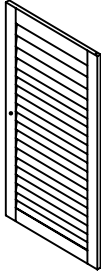
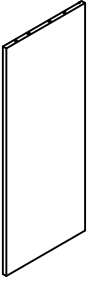
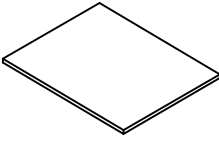
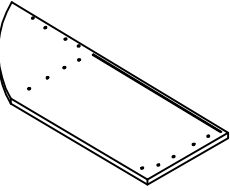
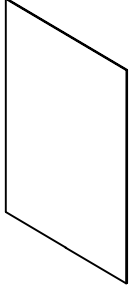
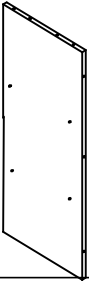
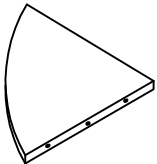
4. To tighten the cam lock turn the cam lock clockwise
90-180 degree or until the arrow is facing opposite
the place cam lock was inserted.

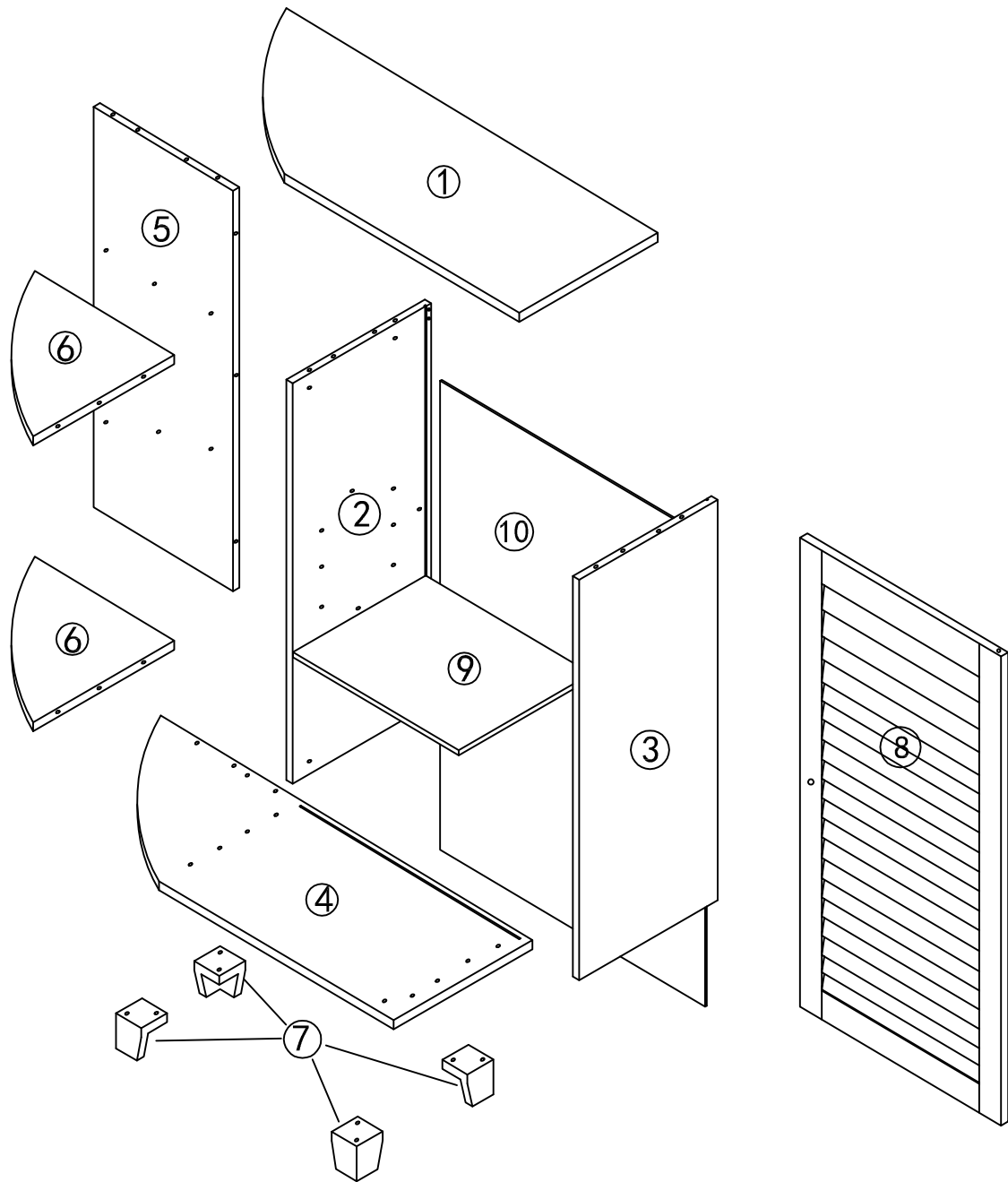
**NOTE: DO NOT USE AN AUTOMATIC
SCREWDRIVER TO TIGHTEN CAM LOCKS.**

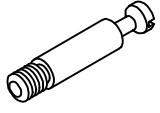

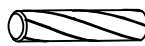

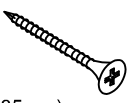
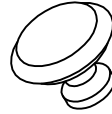
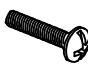


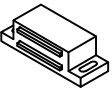
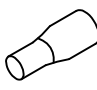
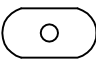

Note:

- Read these instructions carefully before assembling.
- Tools required : Phillips screwdriver, flat screwdriver.
- Find a clean, smooth area on which to work , such as a carpet, in order to avoid scratching the wood surfaces.
- Wait to dispose of the packing material until assembly is complete and all parts and hardware are accounted for.
- Two or more people might be required for assembly.

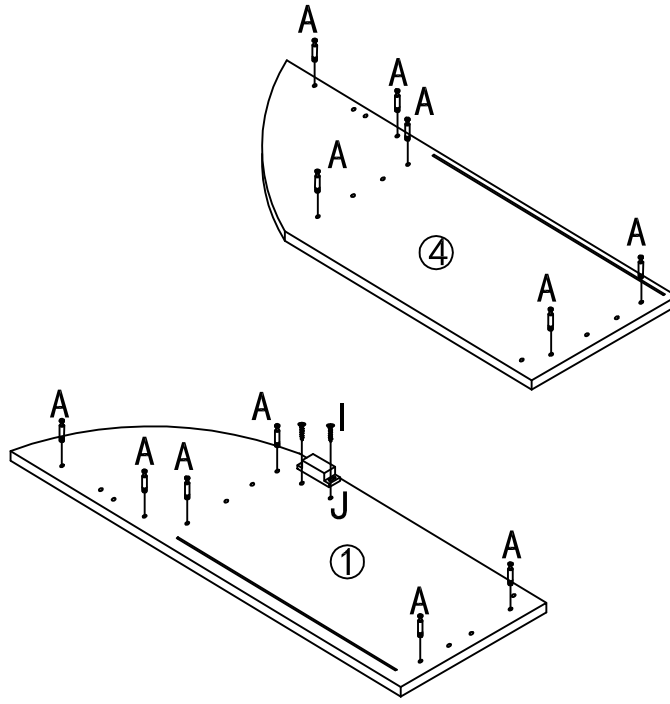
Part List

PART	FIGURE	DESCRIPTION	QTY	PART	FIGURE	DESCRIPTION	QTY
(1)		Top Panel	1PC	(7)		Leg	4PCS
(2)		Left Side Panel	1PC	(8)		Door	1PC
(3)		Right Side Panel	1PC	(9)		Adjustable Shelf	1PC
(4)		Bottom Panel	1PC	(10)		Back Panel	1PC
(5)		Divider	1PC				
(6)		Shelf	2PCS				

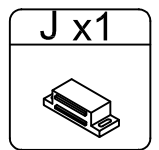
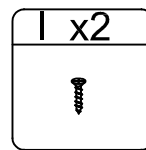
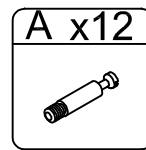


Ax12 	Bx12 	Cx22  <small>1/8"x1.25"(30mm)</small>	Dx2 
Ex5  <small>1/8"x1.375"(35mm)</small>	Fx1 	Gx1 	Hx8  <small>1/8"x7/8"(22mm)</small>
Ix2  <small>1/8"x1/2"(12mm)</small>	Jx1 	Kx4 	Lx1 
Mx1  <small>1/8"x3/8"(10mm)</small>			

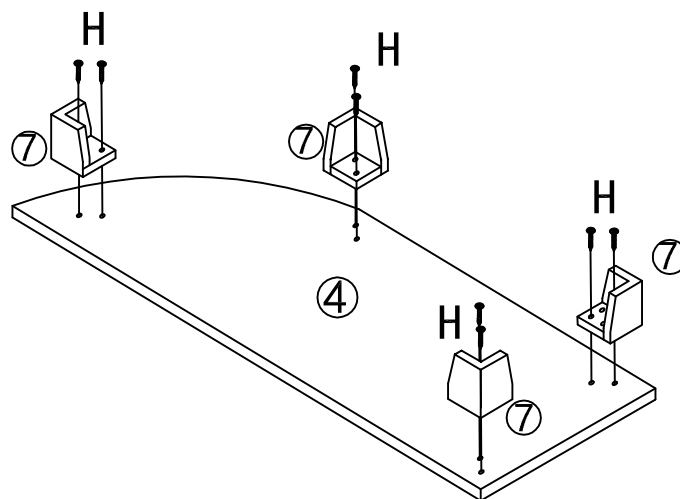
STEP 1



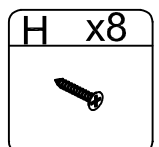
- 1).Screw Cam-bolts (A) to Top Panel (1) & Bottom Panel (4) as shown above.
- 2). Attach Magnet (J) to Top Panel (1) using Screws (I) as shown above.



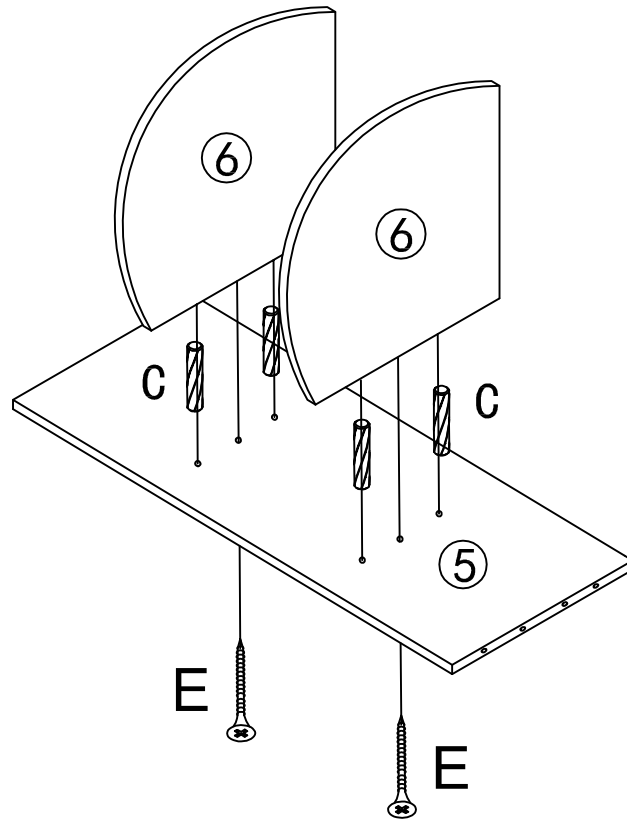
STEP 2





Assemble Legs (7) to the bottom of Bottom Panel (4) using Screws(H) as shown above.



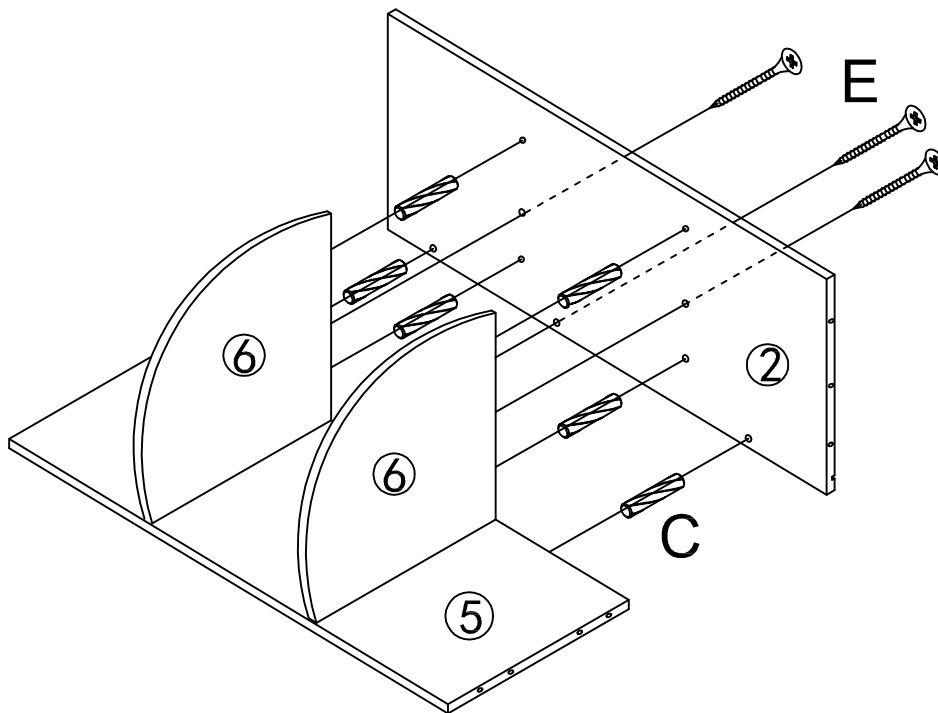
STEP 3





Assemble Shelves (6) to Divider (5) using Wood Dowels (C) and Screws (E) as shown above.

E x2	C x4
	

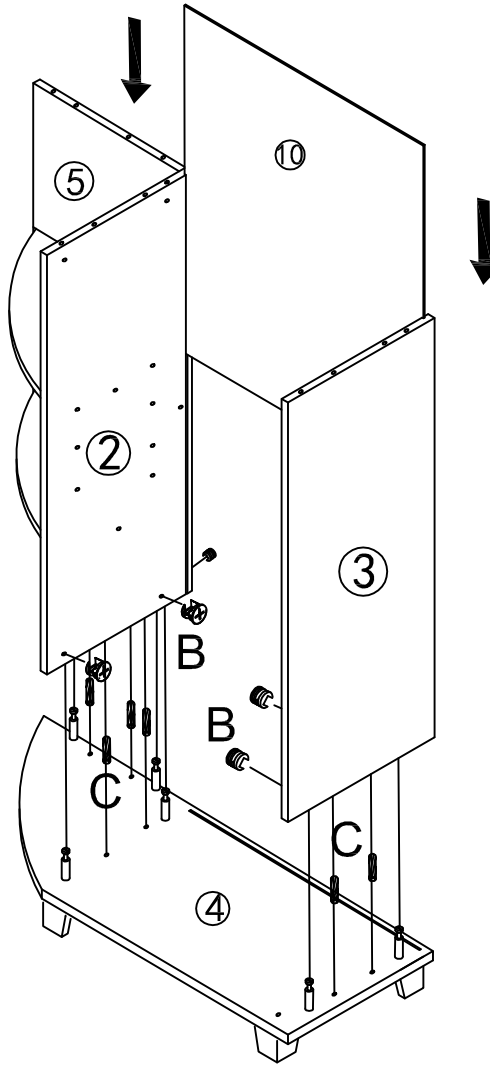
STEP 4



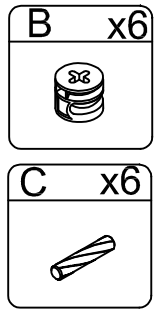
Assemble Side Panel (2) to Shelves (6) and Divider (5) using Wood Dowels (C) and Screws (E) as shown above.

E x3	C x6
	

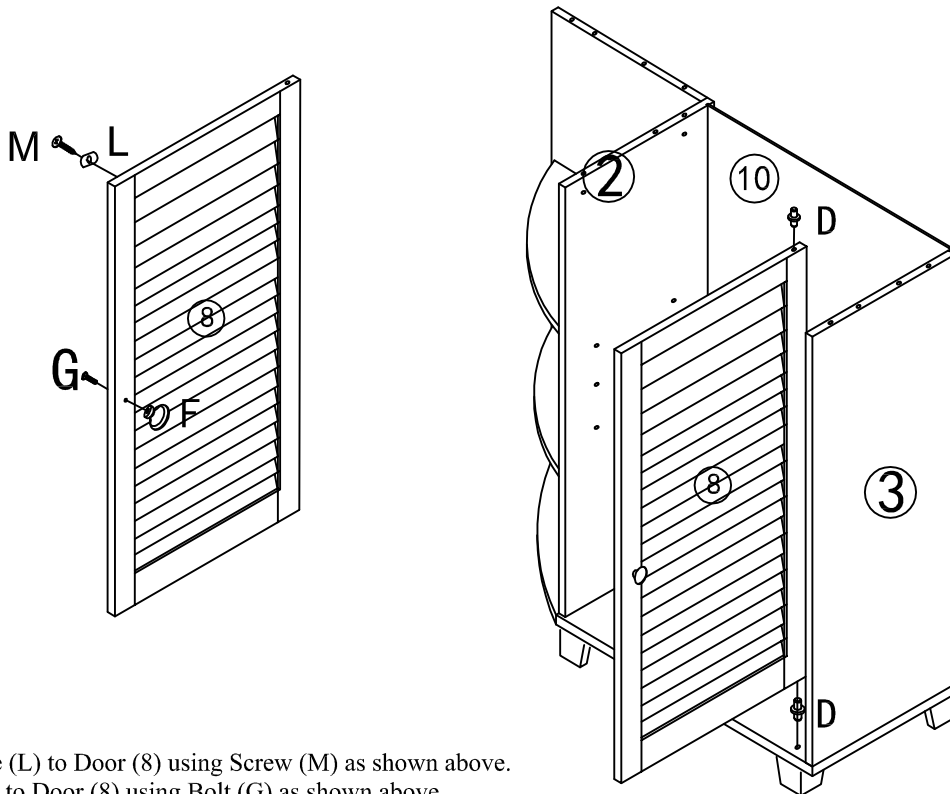
STEP 5



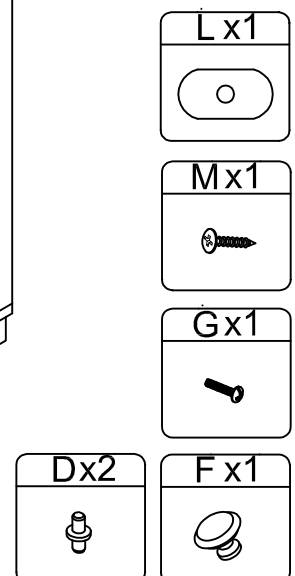
- 1). Assemble Side Panels (2)&(3) and Divider (5) to Bottom Panel (4) using Wood Dowels (C) and Cam-Nuts (B) as shown above.
- 2). Insert Back Panel (10) into grooves on Side Panels (2)&(3) and Bottom Panel (4) as shown above.



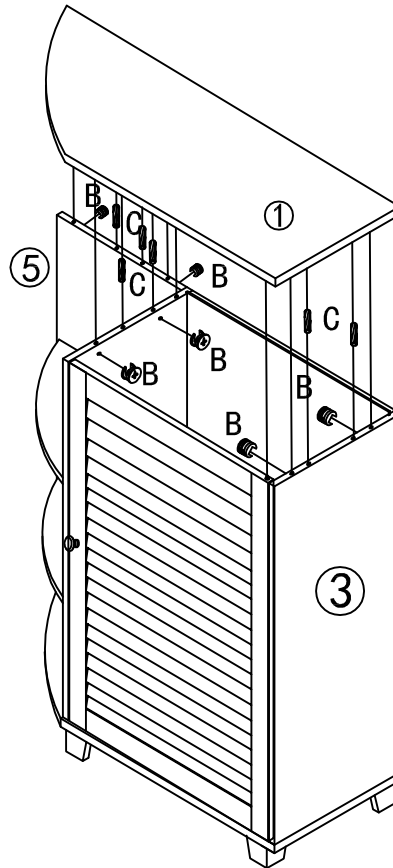
STEP 6



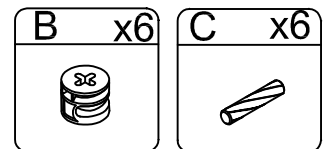
- 1). Attach Metal Plate (L) to Door (8) using Screw (M) as shown above.
- 2). Attach Handle (F) to Door (8) using Bolt (G) as shown above.
- 3). Attach Door (8) to the bottom panel (4) using Door Pin (D). Please hold the door carefully until next step.



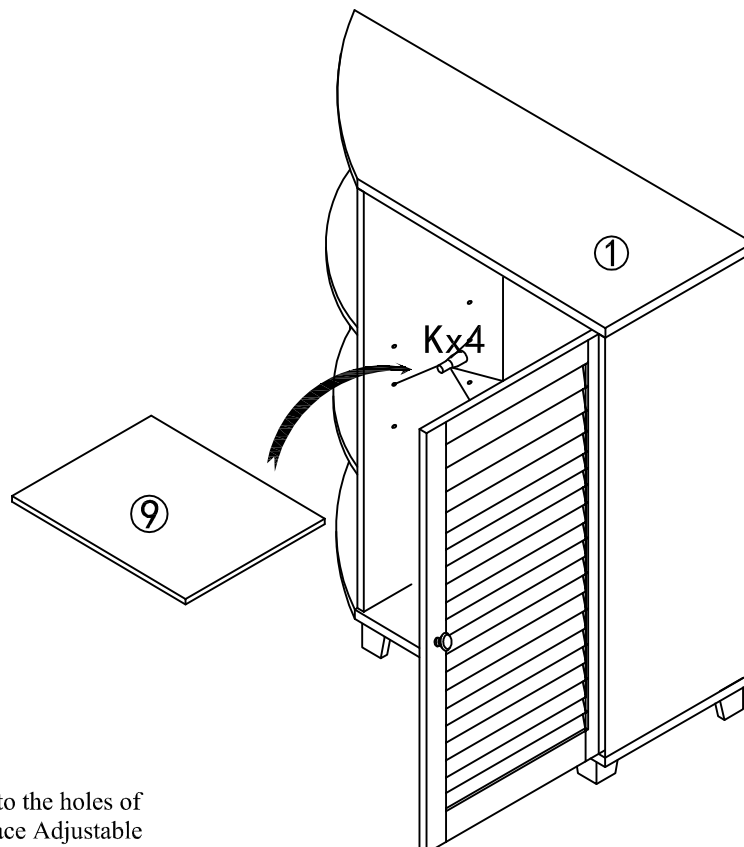
STEP 7



While holding the door in place, assemble the top panel (1) to Side Panels (2)&(3) and Divider (5) using Cam-nuts (B) and Wood Dowels (C) as shown above.



STEP 8



Insert Shelf Supports (K) into the holes of Side Panels (2)&(3), then place Adjustable Shelf (9) onto Shelf Supports (K) as shown above.

