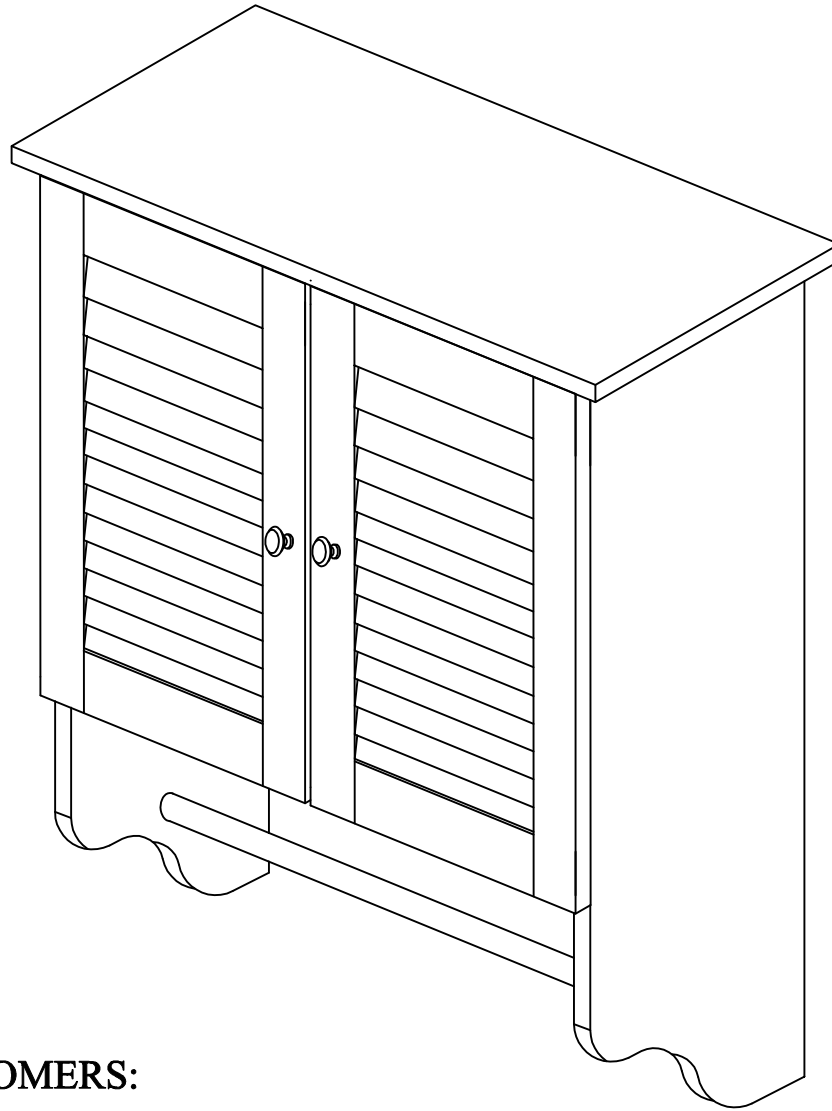


Assembly Instructions

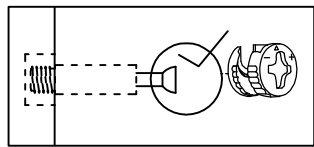
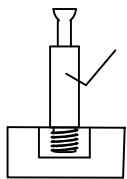
Style# BM1141 Wall Cabinet



NOTE TO CUSTOMERS:

- For ease and speed of assembly we recommend that before you commence each step of the assembly that you identify all the parts required to complete that step.
- We recommend that where possible you allow sufficient space to assemble the item as close as possible to the place where it will be once assembled.
- For the protection of your furniture we recommend that the product is placed on protected surfaces during assembly to prevent any damage.
- During assembly do not over tighten, as this may damage the product.
- Please ensure you retain all the product packaging until the item completely assembled.
- Please periodically check all fittings and re-tighten as necessary.
- Never allow any liquids to remain on your furniture as absorption can cause the wood to warp or the finish to de-laminate.
- It is recommended that this item should be assembled by two adults.

To use a cam lock: (Please read below instructions before assembling)



1. Insert cam screw into hole as shown in diagram A .

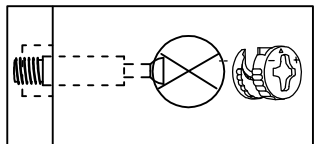
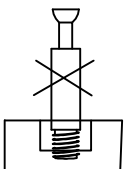


Diagram B

Make sure not to insert the cam screw:
Too deep as shown in figure B as this will cause the
cam screw to be misaligned and unable to
interlock properly.

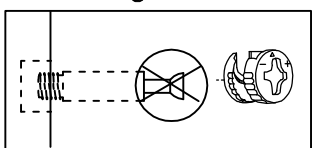
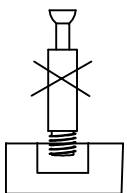
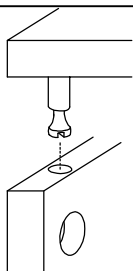
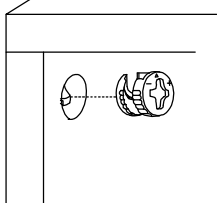


Diagram C

Also avoid inserting the cam screw too close to the
surface of the hole as shown in figure C, as this will
cause the cam lock to be too loose, and not interlock
properly.



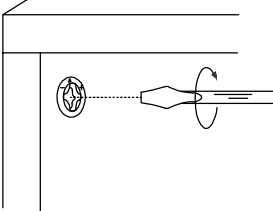
2. Connect the panels together.



ARROW SIGN



3. When inserting the cam lock make sure the arrow
of the cam lock faces the cam screw.



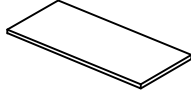
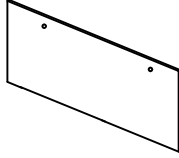
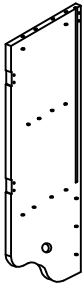
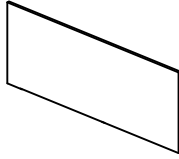
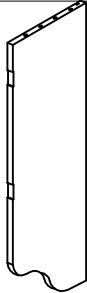
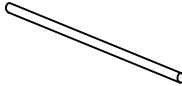
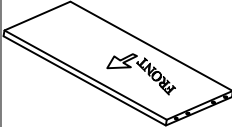
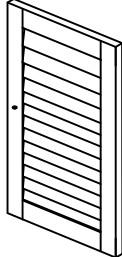
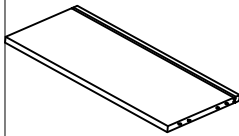
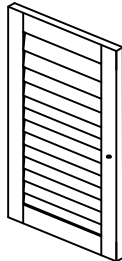
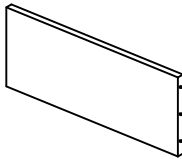
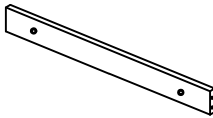

4. To tighten the cam lock turn the cam lock clockwise
90-180 degree or until the arrow is facing opposite
the place cam lock was inserted.

**NOTE: DO NOT USE AN AUTOMATIC
SCREWDRIVER TO TIGHTEN CAM LOCKS.**

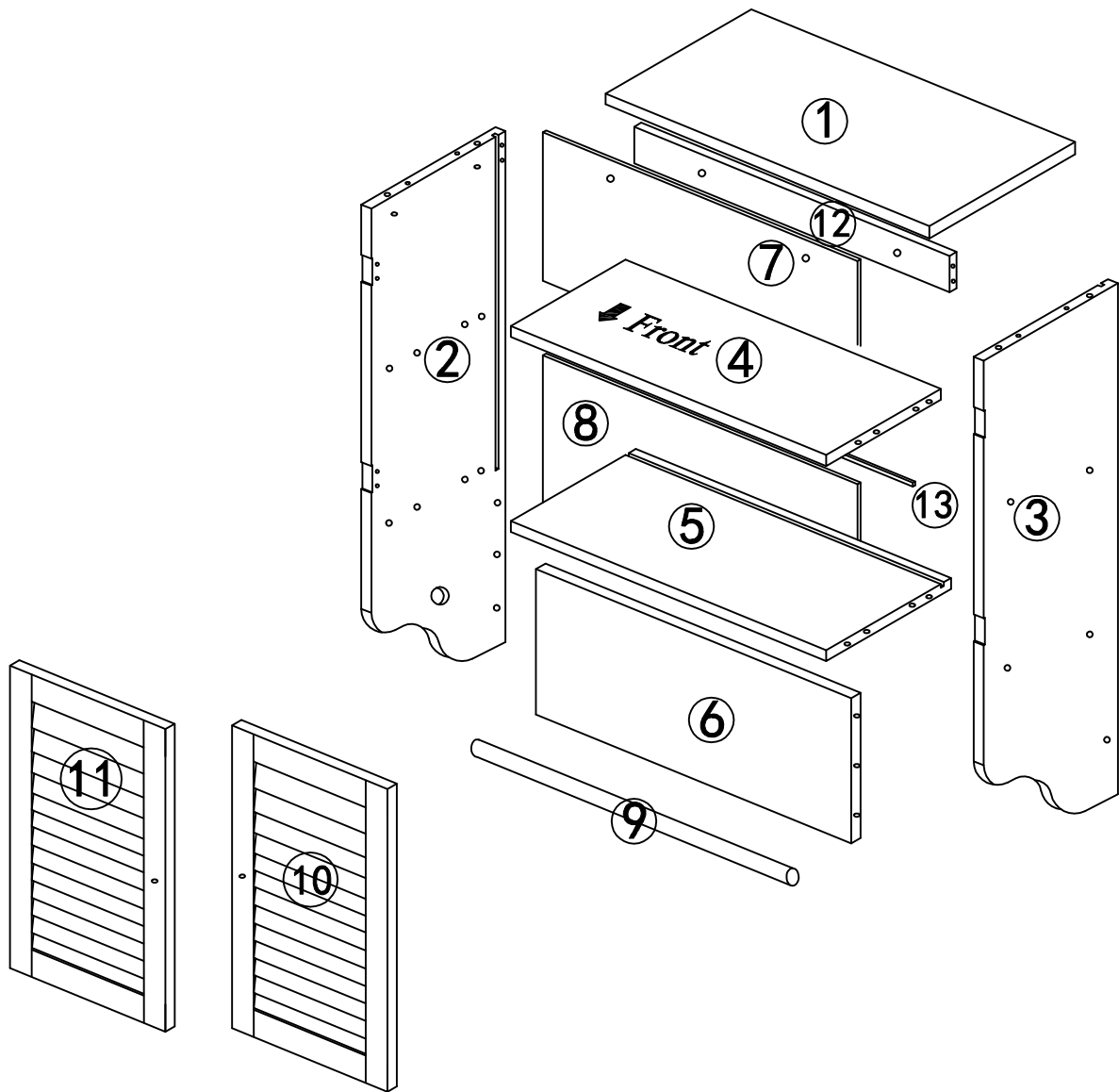
Note:

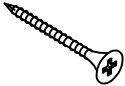


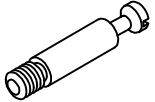

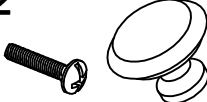
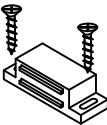




- Read these instructions carefully before assembling.
- Tools required : Phillips screwdriver, flat screwdriver.
- Find a clean, smooth area on which to work , such as a carpet, in order to avoid scratching the wood surfaces.
- Wait to dispose of the packing material until assembly is complete and all parts and hardware are accounted for.
- Two or more people might be required for assembly.

Part List

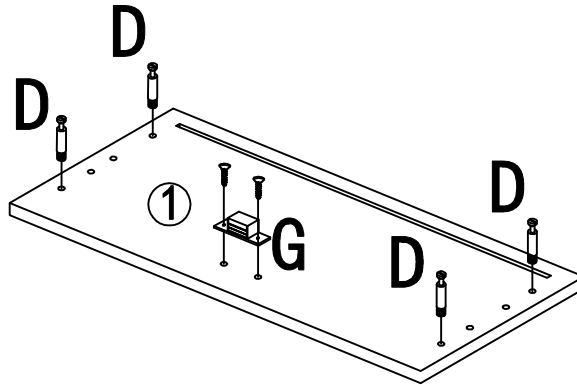
PART	FIGURE	DESCRIPTION	QTY	PART	FIGURE	DESCRIPTION	QTY
(1)		Top Panel	1PC	(7)		Upper Back Panel	1PC
(2)		Left Side Panel	1PC	(8)		Center Back Panel	1PC
(3)		Right Side Panel	1PC	(9)		Tower Bar	1PC
(4)		Shelf	1PC	(10)		Right Door	1PC
(5)		Shelf	1PC	(11)		Left Door	1PC
(6)		Lower Back Panel	1PC	(12)		Connect Bar	1PC
				(13)		Back Support Bar	1PC

Part List

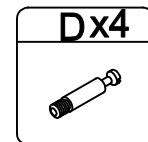


Ax10  1/8"x1.375"(35mm)	Bx4 	Cx20  1/4"x1.25"(30mm)	Dx4 
Ex16  1/8"x1/2"(12mm)	Fx2 	Gx1 	Hx4 
Ix2 	Jx2  1/8"x1.5"(40mm)	Kx10 	

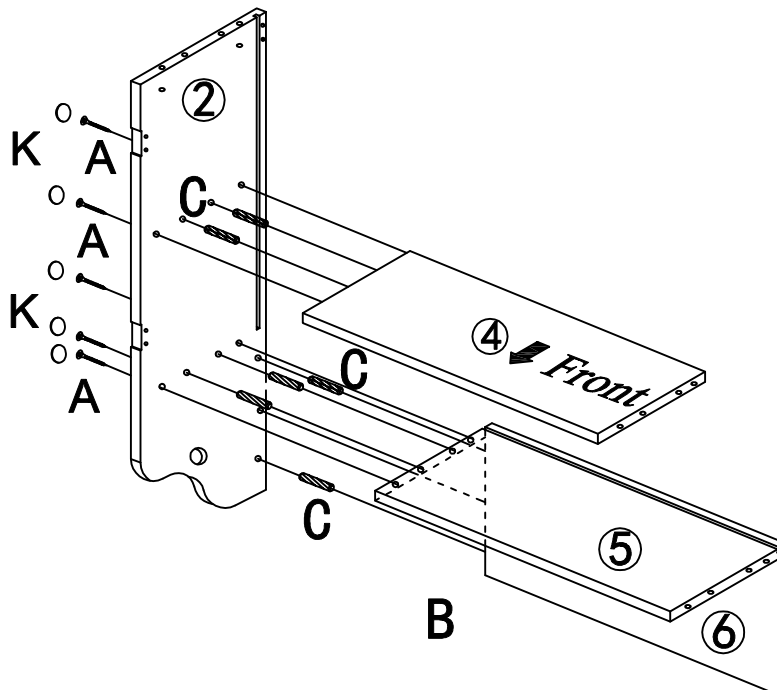
STEP 1



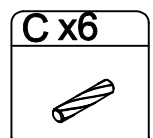
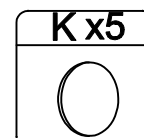
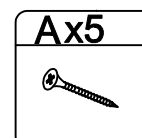
- 1). Screw Cam-bolts (D) to Top Panel (1) as shown above.
- 2). Attach Magnet (G) to the bottom of Top Panel (1) using included screws as shown above.



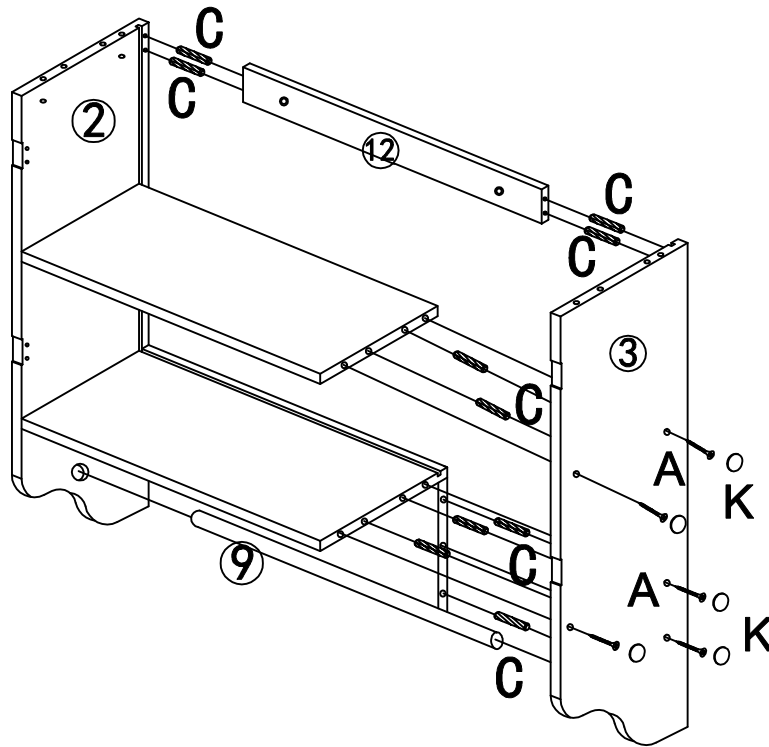
STEP 2



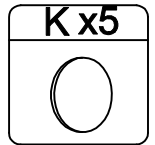
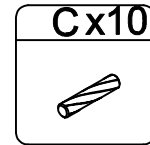
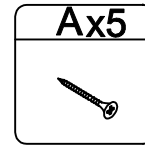
Assemble Shelves (4)&(5) and Lower Back Panel (6) to Left Side Panel (2) using Screws (A) and Wood Dowels (C), then cover holes on the Left Side Panel (2) with Screw-hole caps (K) as shown above.



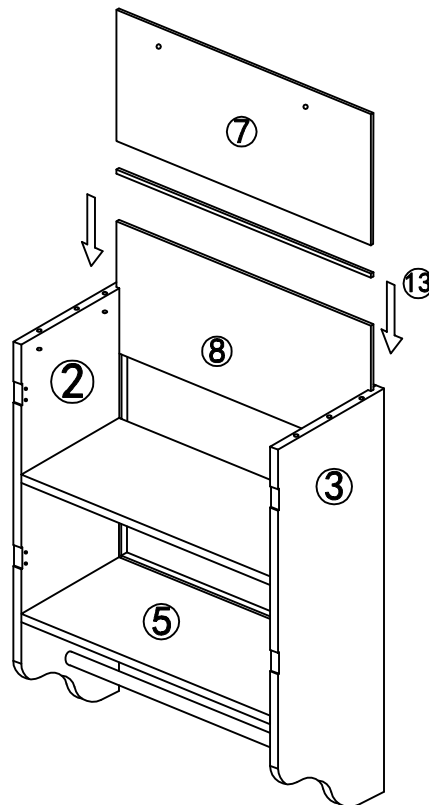
STEP 3



- 1). Assemble Connect Bar (12) to Left Side Panel (2) using Wood Dowels (C).
- 2). Insert Tower Bar (9) into hole on Left Side Panel (2) as shown above.
- 3). Assemble Right Side Panel (3) to Connect Bar (12), Towel Bar (9), Lower Back Panel (6), Shelves (4) & (5) using Screws (A) and Wood Dowels (C), then cover holes on the Right Side Panel (3) with Screw-hole caps (K) as shown above.

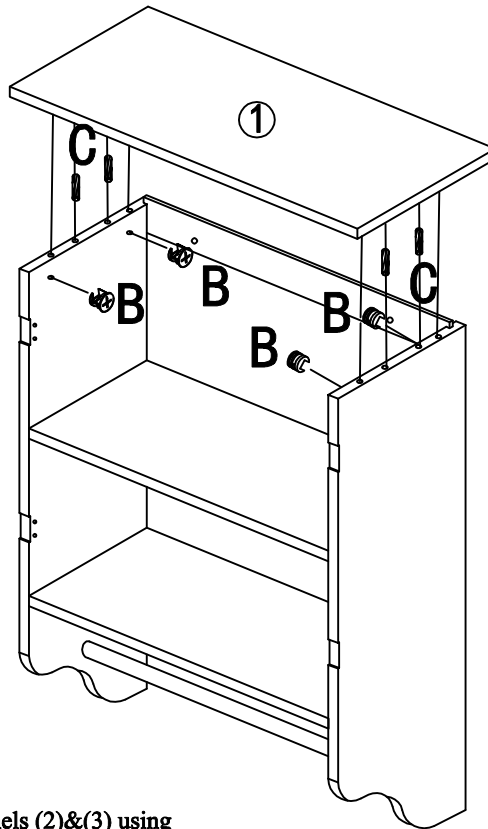


STEP 4

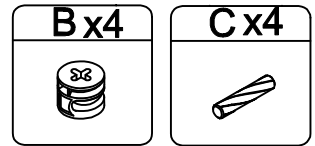


Insert Back Panels (7) & (8) and Back Support Bar (13) into grooves on Side Panels (2) & (3) and Shelf (5) as shown above.

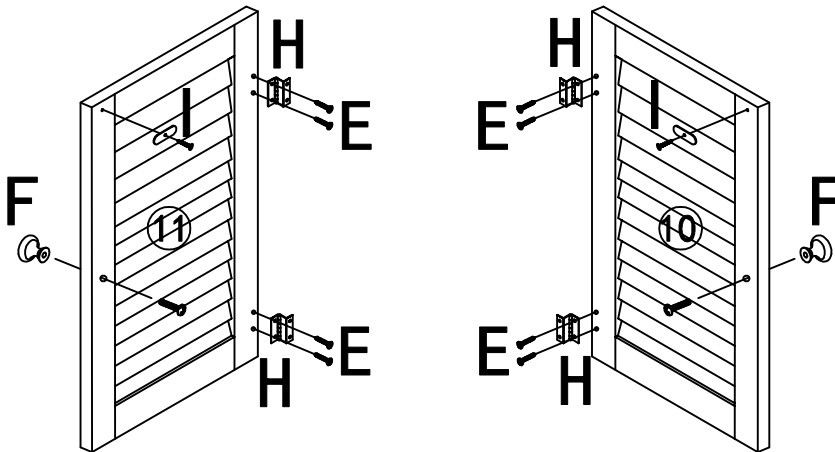
STEP 5



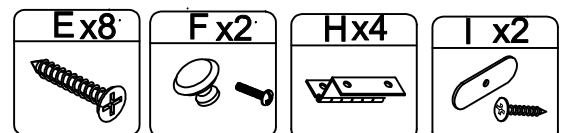
Assemble Top Panel (1) to Side Panels (2)&(3) using Wood Dowels (C) and Cam-Nuts (B) as shown above.



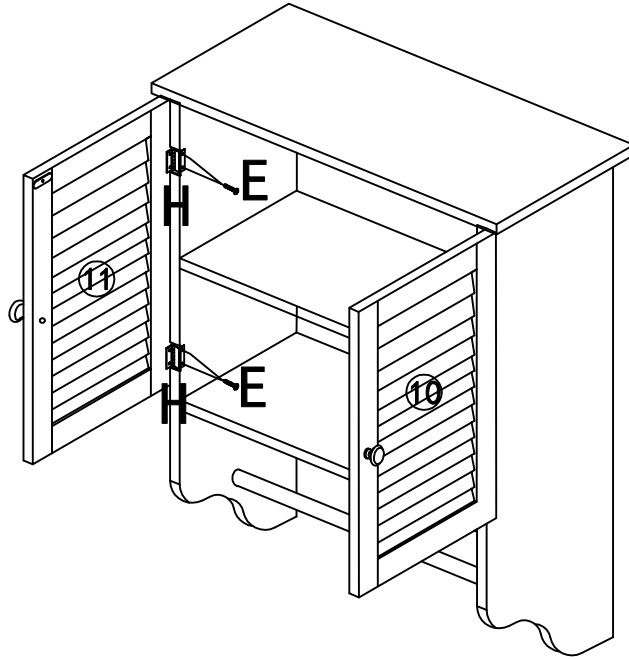
STEP 6



- 1). Attach Handles (F) to Doors (10)&(11) using included bolts.
 - 2). Attach Hinges(H) to Doors (10)&(11) using Screws (E).
 - 3). Attach Metal Plates (I) to Door (10)&(11) using included screws.
- Note: Holes for screws are pre-drilled.



STEP 7

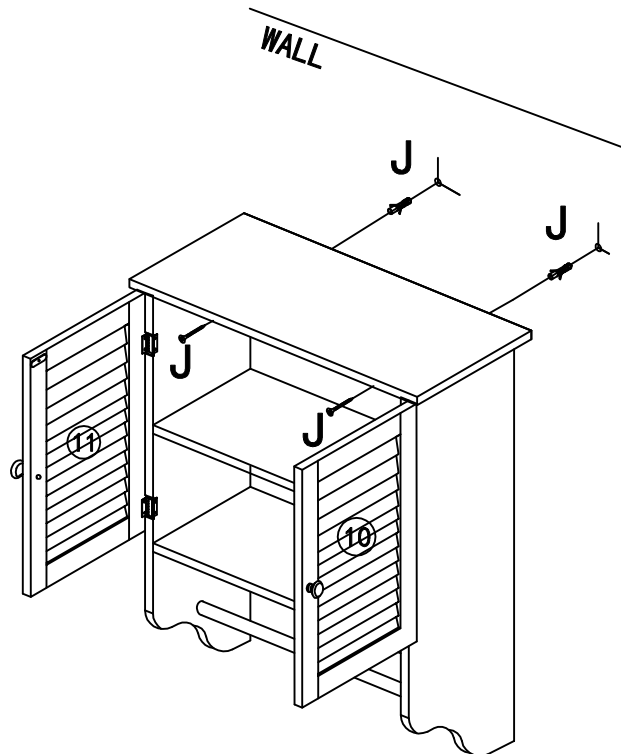


Attach Hinges (H) to Side Panels (2)&(3) using Screws (E) as shown above.
Note: Holes for screws are pre-drilled.

E x8



STEP 8



Attach this unit to the wall by Screws and Anchors (J) as shown above.

J x2

