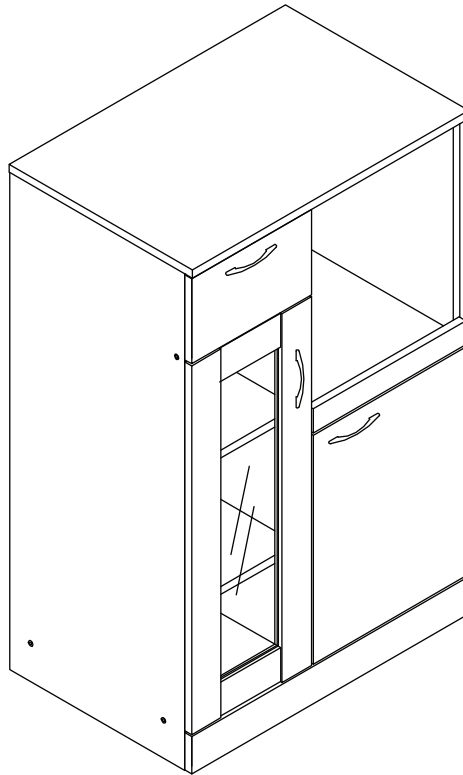


# ASSEMBLY INSTRUCTIONS

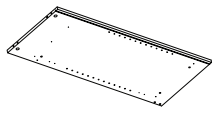
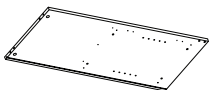
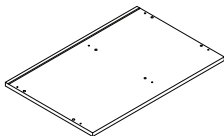
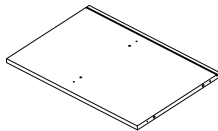
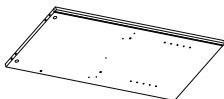
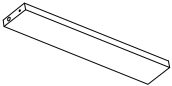
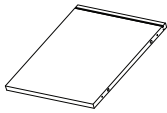
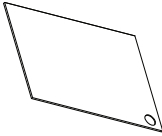
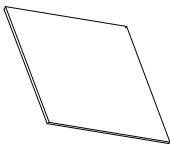
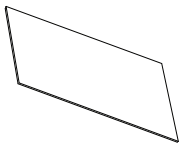
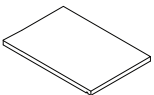
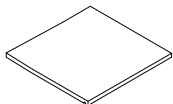
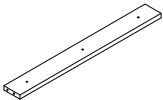
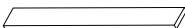
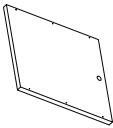
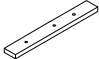
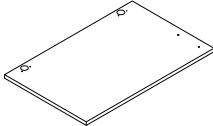
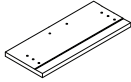
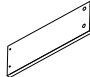

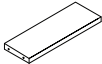
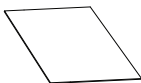
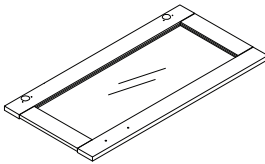
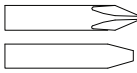

## MODEL #K540 - KITCHEN CART



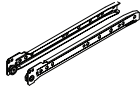

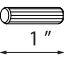
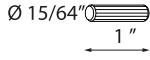



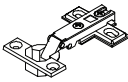
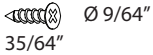
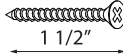

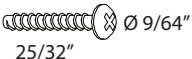

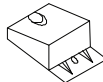
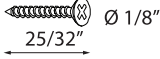

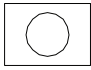
### NOTE TO CUSTOMERS:

- For ease and speed of assembly we recommend that before you commence each step of the assembly that you identify all the parts required to complete that step.
- We recommend that where possible you allow sufficient space to assemble the item as close as possible to the place where it will be once assembled.
- For the protection of your furniture we recommend that the product is placed on a dry, soft, smooth and clean surfaces during assembly to prevent any damage. Avoid damp and direct sunlight.
- During assembly do not over tighten the screws or bolts, as this may damage the product.
- Please ensure you retain all the product packaging until the item is completely assembled.
- Periodically check all fitting and re-tighten as necessary.
- Never allow any liquids to remain on your furniture as absorption can cause the wood to warp or finish to de-laminate.
- It is recommended that this item should be assembled by two adults.

## PARTS IDENTIFICATION

<p>P1 Quantity: 1</p>  <p>Side Panel-Left</p>	<p>P2 Quantity: 1</p>  <p>Side Panel-Right</p>	<p>P3 Quantity: 1</p>  <p>Top Panel</p>	<p>P4 Quantity: 1</p>  <p>Base Panel</p>	<p>P5 Quantity: 1</p>  <p>Middle Panel</p>
<p>P6 Quantity: 1</p>  <p>Divider Rail</p>	<p>P7 Quantity: 1</p>  <p>Fixed Shelf</p>	<p>P8 Quantity: 1</p>  <p>Back Panel- Small with cut hole</p>	<p>P9 Quantity: 1</p>  <p>Back Panel- Small</p>	<p>P10 Quantity: 1</p>  <p>Back Panel- Large</p>
<p>P11 Quantity: 2</p>  <p>Adjustable Shelf Panel- Small</p>	<p>P12 Quantity: 1</p>  <p>Adjustable Shelf Panel- Large</p>	<p>P13 Quantity: 1</p>  <p>Bottom Rail</p>	<p>P14 Quantity: 1</p>  <p>Plinth</p>	<p>P15 Quantity: 1</p>  <p>Pull-out Shelf</p>
<p>P16 Quantity: 1</p>  <p>Front Panel of Pull-out Shelf</p>	<p>P17 Quantity: 1</p>  <p>Door Panel</p>	<p>P18 Quantity: 1</p>  <p>Drawer Front Panel</p>	<p>P19 Quantity: 1</p>  <p>Drawer Side Panel-Left</p>	<p>P20 Quantity: 1</p>  <p>Drawer Side Panel-Right</p>
<p>P21 Quantity: 1</p>  <p>Drawer Back Panel</p>	<p>P22 Quantity: 1</p>  <p>Drawer Base Panel</p>	<p>P23 Quantity: 1</p>  <p>Framed Glass Door</p>	<p><b>TOOLS REQUIRED</b></p>  <p>Household screw driver</p>  <p>Mallet</p>	

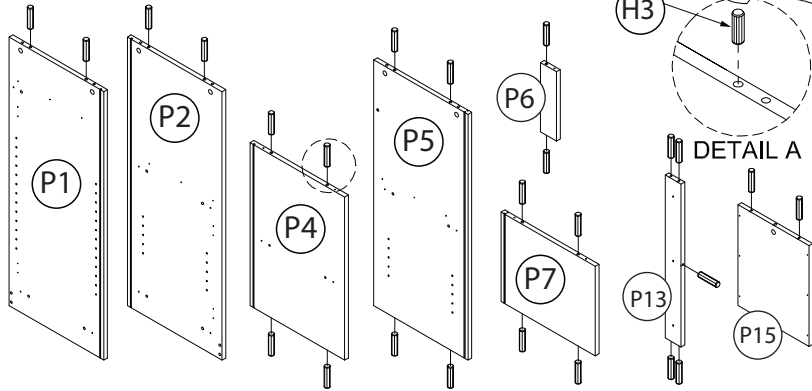
## HARDWARE LIST

<p>H1 Drawer Slide</p>  <p>Quantity: 2 sets</p>	<p>H2 Screw for Drawer Slide m4 x 12</p>  <p>Quantity: 24 pcs</p>	<p>H3 Wooden Dowel m8 x 25mm</p>  <p>Quantity: 25 pcs</p>	<p>H4 Wooden Dowel m6x 25mm</p>  <p>Quantity: 2 pcs</p>	<p>H5 Connecting Bolts</p>  <p>Quantity: 11 pcs</p>
<p>H6 Cam Lock 15/12.5mm</p>  <p>Quantity: 7 pcs</p>	<p>H7 Cam Lock 12/9.5mm</p>  <p>Quantity: 4 pcs</p>	<p>H8 Door Hinges</p>  <p>Quantity: 4 pcs</p>	<p>H9 Screw for Hinges m3.5 x 14</p>  <p>Quantity: 16pcs</p>	<p>H10 Screw #9 x 1 1/2"</p>  <p>Quantity: 16pcs</p>
<p>H11 Door Handle</p>  <p>Quantity: 3 pcs</p>	<p>H12 Pan Head screw for Handle #6 x 20</p>  <p>Quantity: 6pcs</p>	<p>H13 Pan Head screw tapping #10 x 1</p>  <p>Quantity: 3 pcs</p>	<p>H14 Corner Wedges</p>  <p>Quantity: 12pcs</p>	<p>H15 Screw for Wedges m3 x 20</p>  <p>Quantity: 12 pcs</p>
<p>H16 Shelf Support Pin</p>  <p>Quantity: 12 pcs</p>	<p>H17 Sticker</p>  <p>Quantity: 7 pcs</p>			

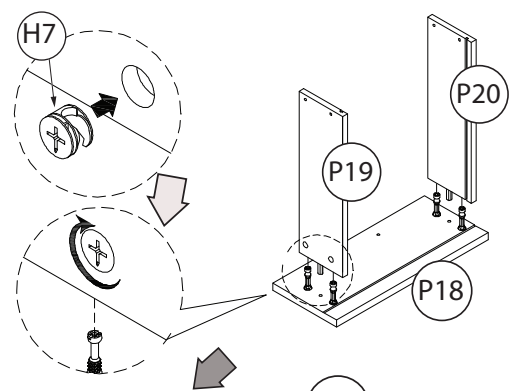
# ASSEMBLY INSTRUCTIONS

ITEM #K540 - KITCHEN CART

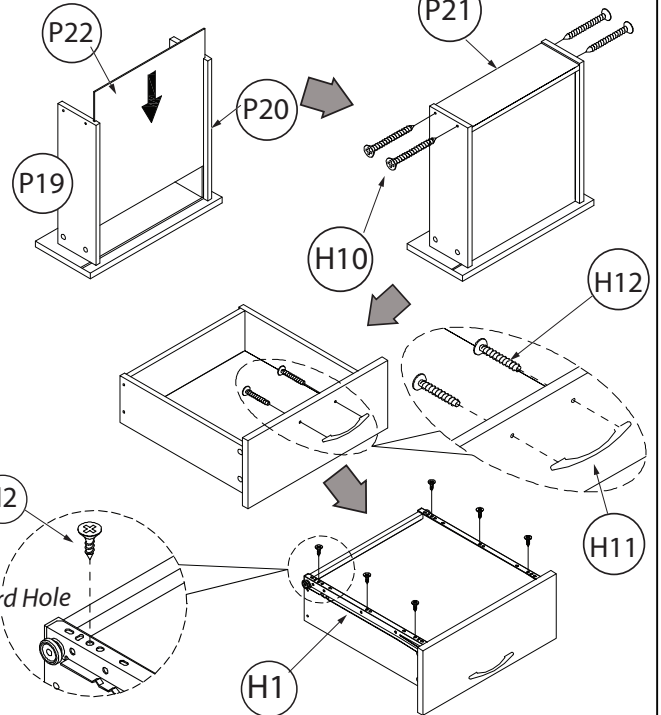
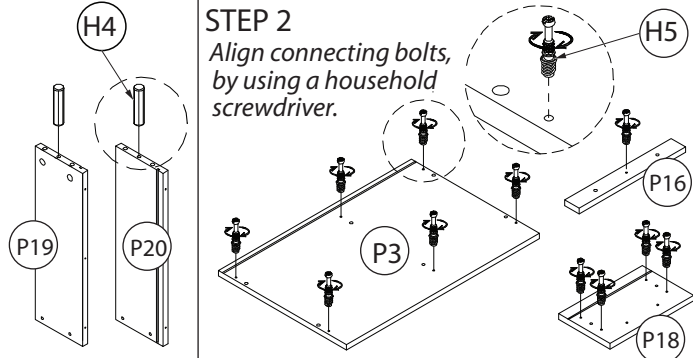
## STEP 1 Insert wooden dowels



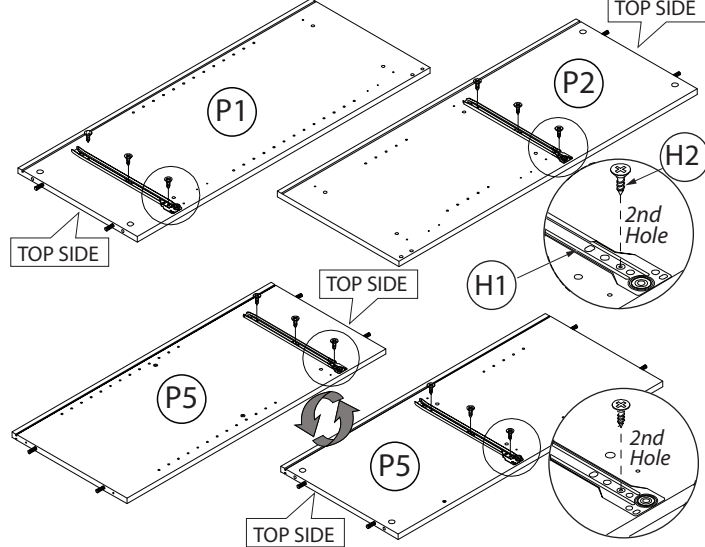
## STEP 5 Assemble the Drawer



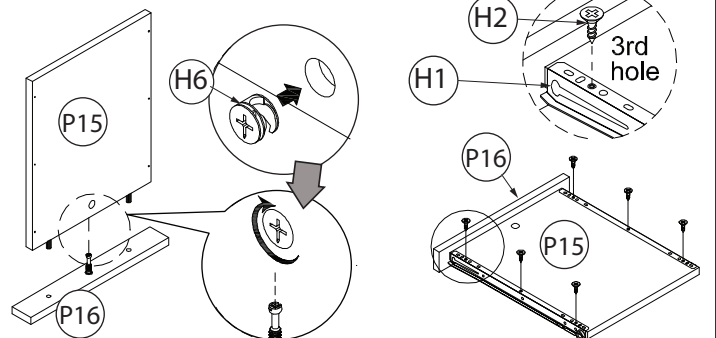
## STEP 2 Align connecting bolts, by using a household screwdriver.



## STEP 3 Install Drawer Slides

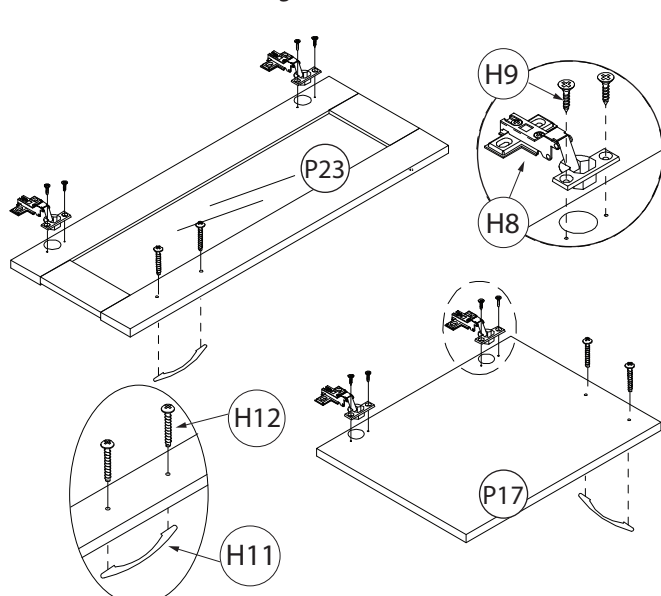


## STEP 6 Assemble the Pull-out Shelf



Align the Camlock & turn it to locked position when it is connected to the bolts.

## STEP 4 Install Door Hinges and Door Handles



## STEP 7

