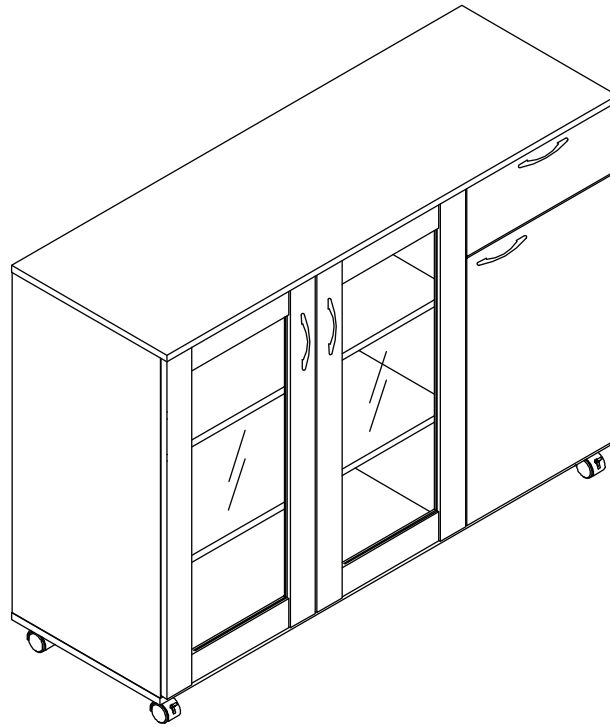


ASSEMBLY INSTRUCTIONS


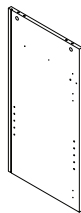
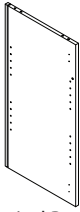
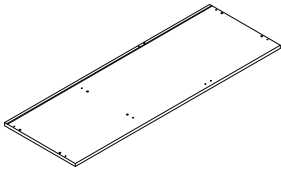
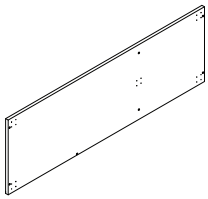
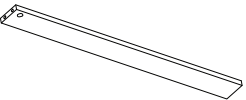
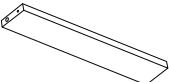
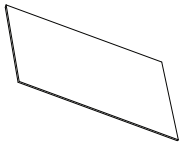
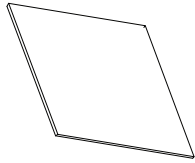
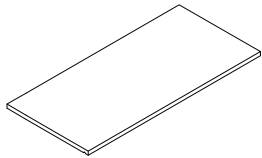
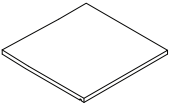
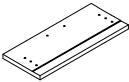
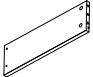
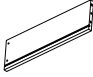
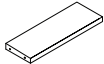
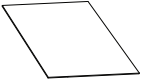
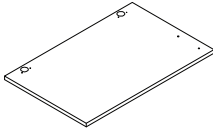
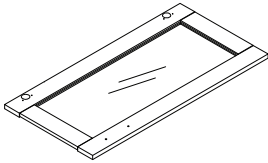
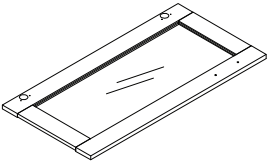
MODEL #K538 - KITCHEN CART



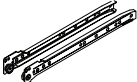
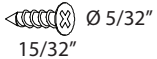


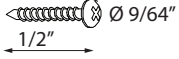


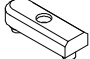
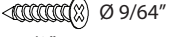




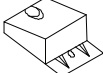
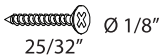
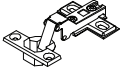
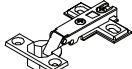
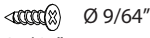

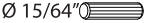
NOTE TO CUSTOMERS:

- For ease and speed of assembly we recommend that before you commence each step of the assembly that you identify all the parts required to complete that step.
- We recommend that where possible you allow sufficient space to assemble the item as close as possible to the place where it will be once assembled.
- For the protection of your furniture we recommend that the product is placed on a dry, soft, smooth and clean surfaces during assembly to prevent any damage. Avoid damp and direct sunlight.
- During assembly do not over tighten the screws or bolts, as this may damage the product.
- Please ensure you retain all the product packaging until the item is completely assembled.
- Periodically check all fitting and re-tighten as necessary.
- Never allow any liquids to remain on your furniture as absorption can cause the wood to warp or finish to de-laminate.
- It is recommended that this item should be assembled by two adults.



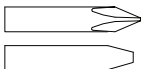

PARTS IDENTIFICATION

<p>P1 Quantity: 1</p>  <p>Side Panel-Left</p>	<p>P2 Quantity: 1</p>  <p>Side Panel-Right</p>	<p>P3 Quantity: 1</p>  <p>Center Vertical Panel</p>	<p>P4 Quantity: 1</p>  <p>Cart Top Panel</p>	<p>P5 Quantity: 1</p>  <p>Cart Base Panel</p>
<p>P6 Quantity: 1</p>  <p>Rear Vertical support Bar</p>	<p>P7 Quantity: 1</p>  <p>Divider Rail</p>	<p>P8 Quantity: 1</p>  <p>Back Panel- Small</p>	<p>P9 Quantity: 1</p>  <p>Back Panel- Large</p>	<p>P10 Quantity: 2</p>  <p>Shelf Panel- Large</p>
<p>P11 Quantity: 1</p>  <p>Shelf Panel- Small</p>	<p>P12 Quantity: 1</p>  <p>Drawer Front Panel</p>	<p>P13 Quantity: 1</p>  <p>Drawer Side Panel-Left</p>	<p>P14 Quantity: 1</p>  <p>Drawer Side Panel-Right</p>	<p>P15 Quantity: 1</p>  <p>Drawer Back Panel</p>
<p>P16 Quantity: 1</p>  <p>Drawer Base Panel</p>	<p>P17 Quantity: 1</p>  <p>Door Panel</p>	<p>P18 Quantity: 1</p>  <p>Framed Glass Door-Left</p>	<p>P19 Quantity: 1</p>  <p>Framed Glass Door-Right</p>	

HARDWARE LIST

<p>H1 Drawer Slide</p>  <p>Quantity: 1 set</p>	<p>H2 Screw for Drawer Slide m4 x 12</p>  <p>Quantity: 12 pcs</p>	<p>H3 Castor with Stopper</p>  <p>Quantity: 2 pcs</p>	<p>H4 Castor</p>  <p>Quantity: 3 pcs</p>	<p>H5 Pan Head screw for Castor m3.5 x 12</p>  <p>Quantity: 20 pcs</p>
<p>H6 Door Handle</p>  <p>Quantity: 4 pcs</p>	<p>H7 Pan Head screw for Handle #6 x 20</p>  <p>Quantity: 8 pcs</p>	<p>H8 PVC Door Stopper</p>  <p>Quantity: 1 pc</p>	<p>H9 Screw for Door Stopper m3.5 x 16</p>  <p>Quantity: 1 pc</p>	<p>H10 Screw #9 x 1 1/2"</p>  <p>Quantity: 13 pcs</p>
<p>H11 Connecting Bolts</p>  <p>Quantity: 11 pcs</p>	<p>H12 Cam Lock 15/12.5mm</p>  <p>Quantity: 6 pcs</p>	<p>H13 Cam Lock 12/9.5mm</p>  <p>Quantity: 5 pcs</p>	<p>H14 Corner Wedges</p>  <p>Quantity: 10 pcs</p>	<p>H15 Screw for Wedges m3 x 20</p>  <p>Quantity: 10 pcs</p>
<p>H16 Door Hinges 5/8"</p>  <p>Quantity: 4 sets</p>	<p>H17 Door Hinges 2/8"</p>  <p>Quantity: 2 sets</p>	<p>H18 Screw for Hinges m3.5 x 14</p>  <p>Quantity: 24 pcs</p>	<p>H19 Wooden Dowel m8 x 25mm</p>  <p>Quantity: 14 pcs</p>	<p>H20 Wooden Dowel m6x 25mm</p>  <p>Quantity: 4 pcs</p>

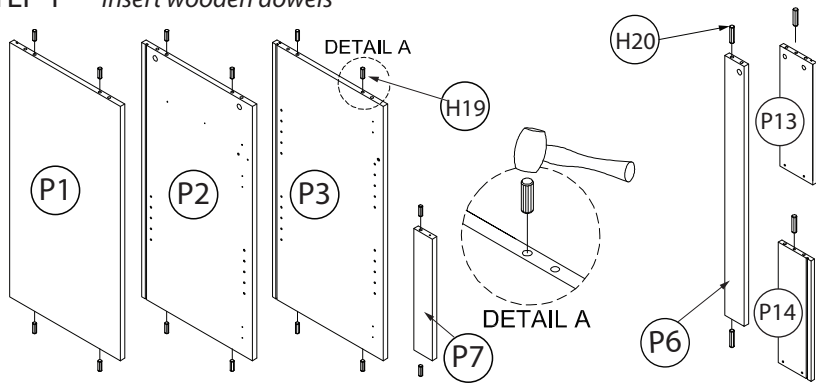
TOOLS REQUIRED

<p>H21 Shelve Support Pin</p>  <p>Quantity: 14 pcs</p>	<p>H22 Sticker</p>  <p>Quantity: 2 pcs</p>	 <p>Household screw driver</p>	 <p>Mallet</p>
---	---	---	---

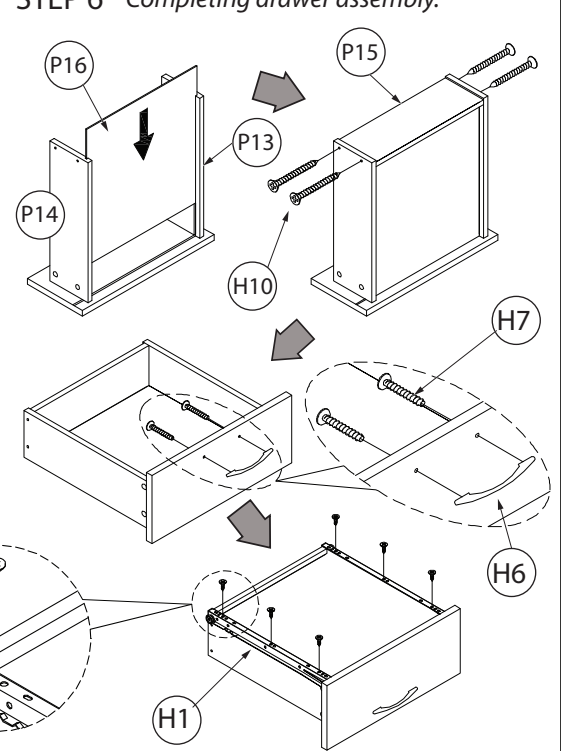
ASSEMBLY INSTRUCTIONS

ITEM #K538 - KITCHEN CART

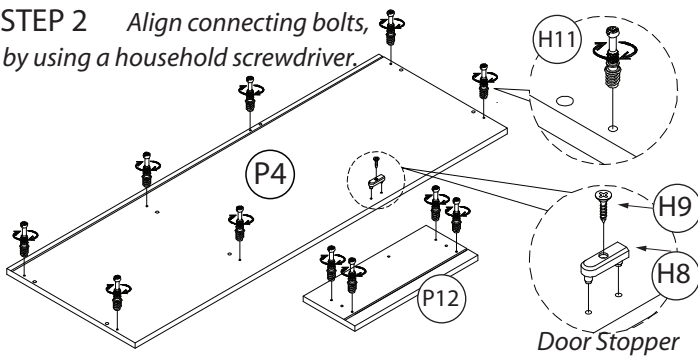
STEP 1 Insert wooden dowels



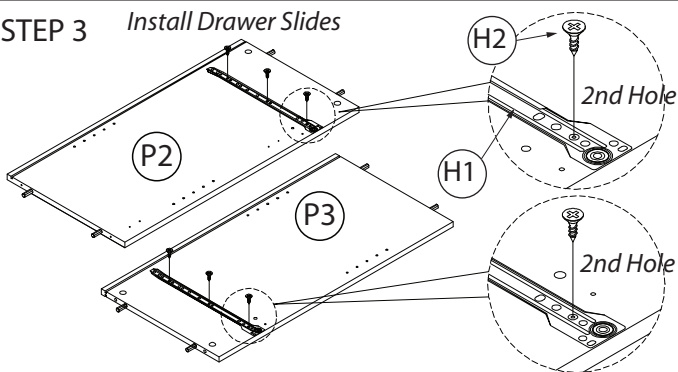
STEP 6 Completing drawer assembly.



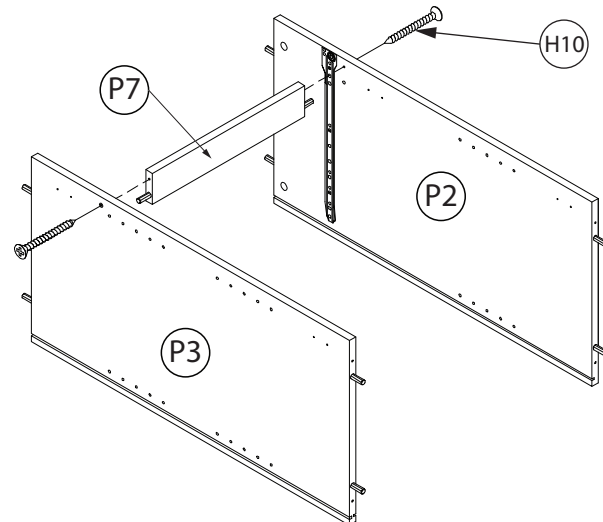
STEP 2 Align connecting bolts, by using a household screwdriver.



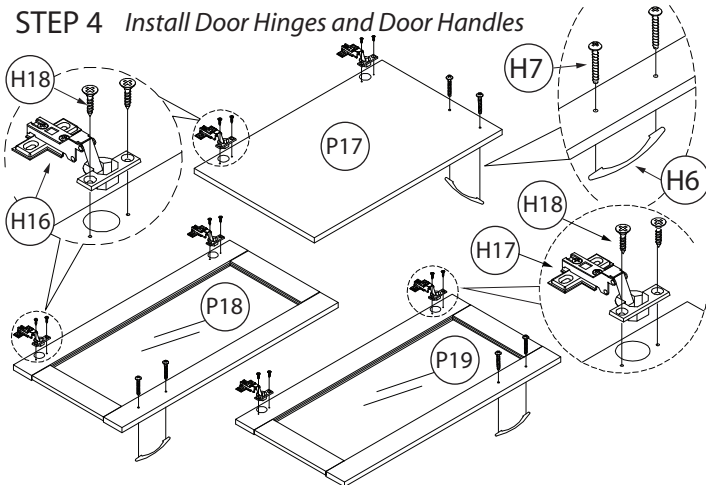
STEP 3 Install Drawer Slides



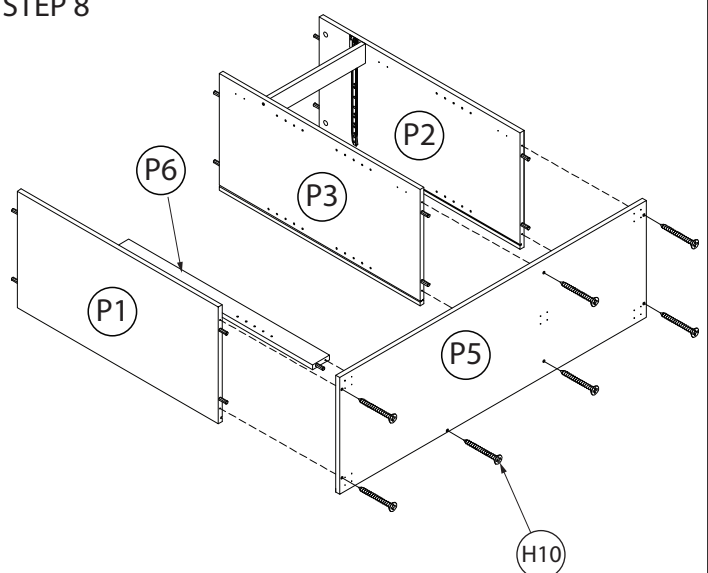
STEP 7



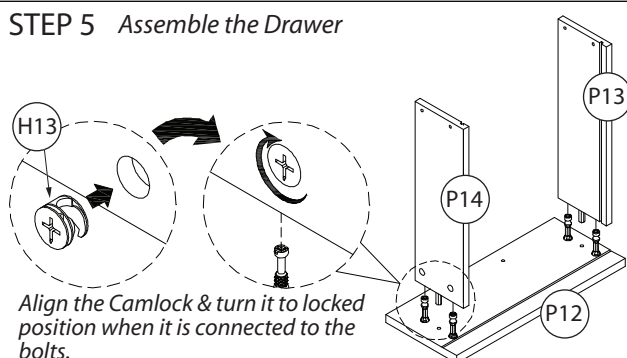
STEP 4 Install Door Hinges and Door Handles



STEP 8



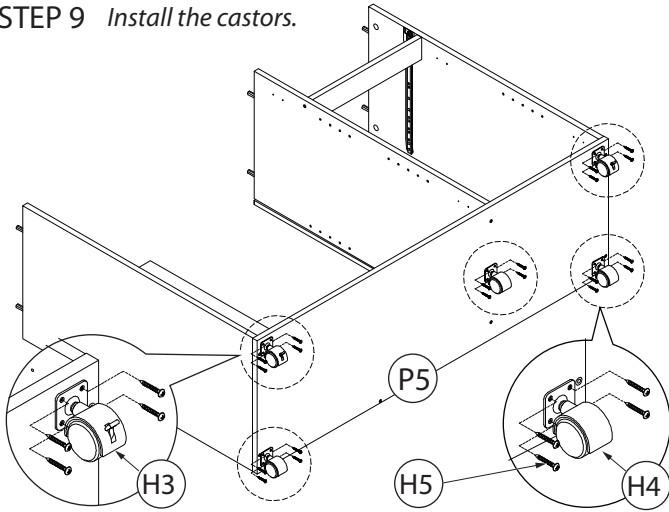
STEP 5 Assemble the Drawer



ASSEMBLY INSTRUCTIONS

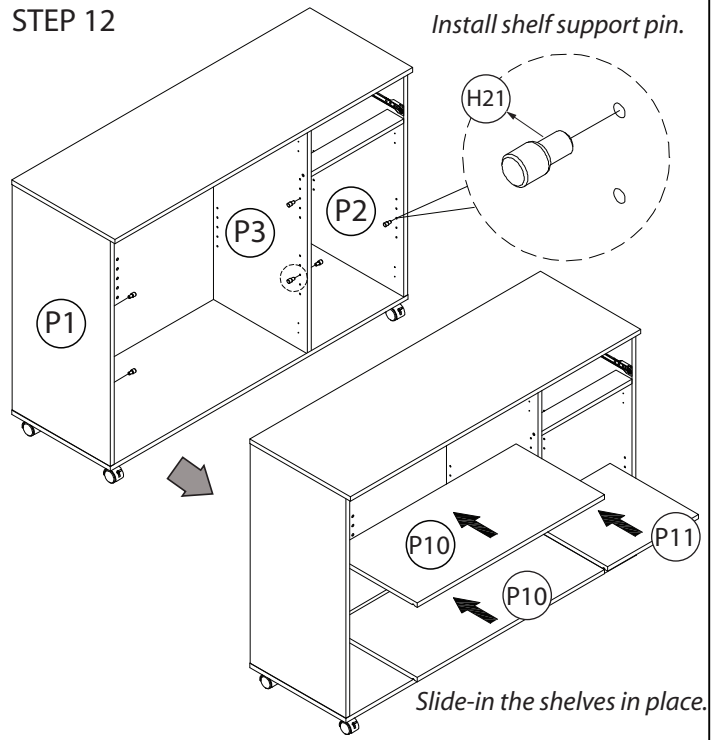
ITEM #K538 - KITCHEN CART

STEP 9 Install the castors.



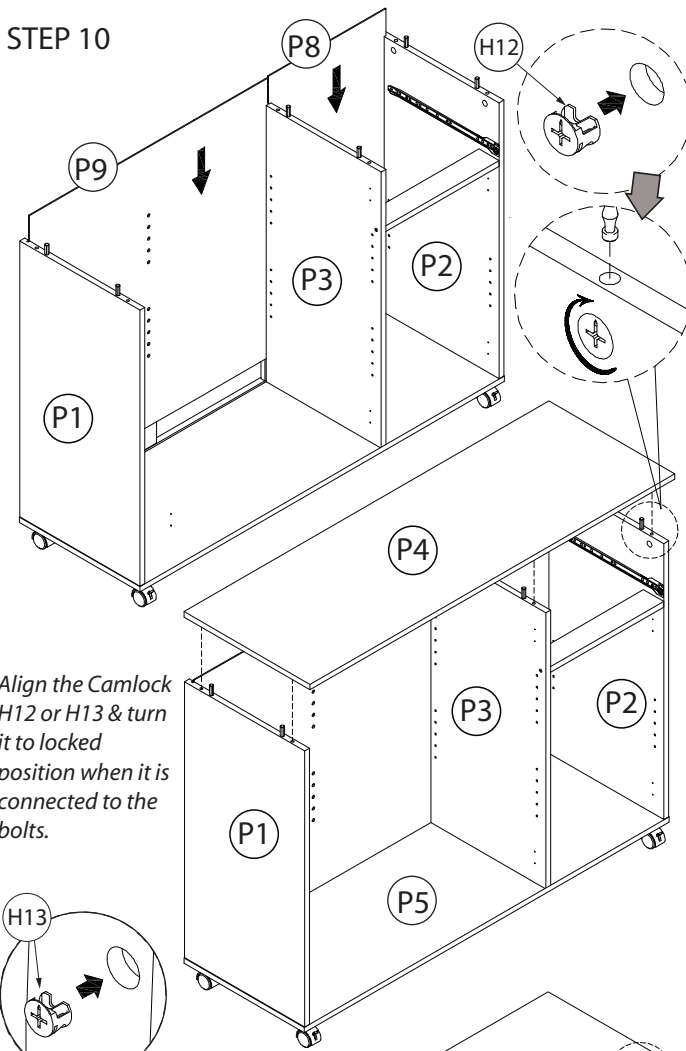
STEP 12

Install shelf support pin.



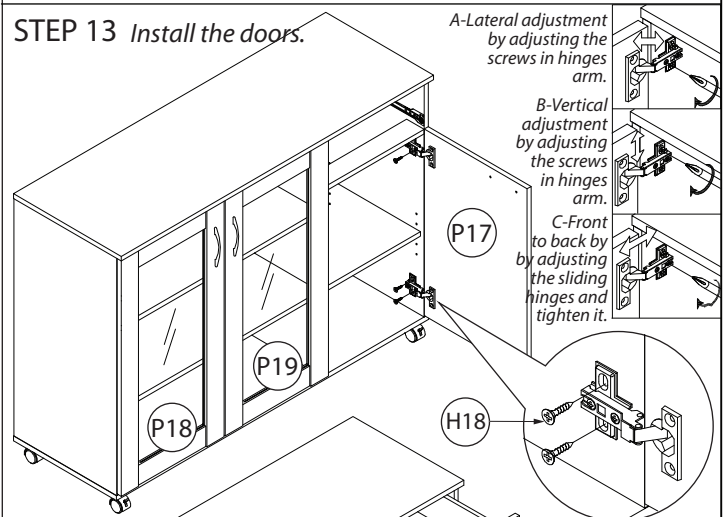
Slide-in the shelves in place.

STEP 10



Align the Camlock H12 or H13 & turn it to locked position when it is connected to the bolts.

STEP 13 Install the doors.

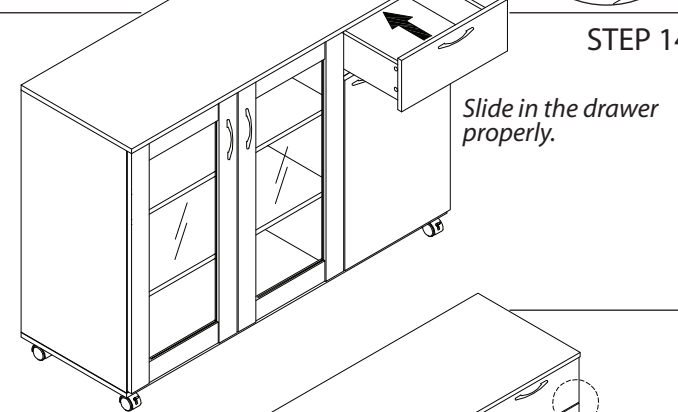


A-Lateral adjustment by adjusting the screws in hinges arm.

B-Vertical adjustment by adjusting the screws in hinges arm.

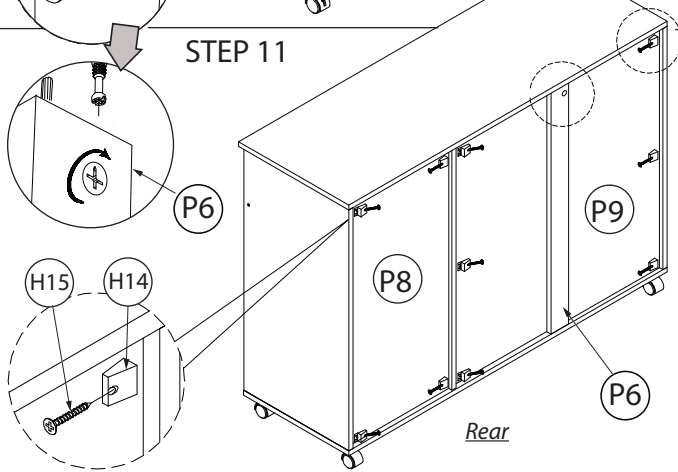
C-Front to back by adjusting the sliding hinges and tighten it.

STEP 14



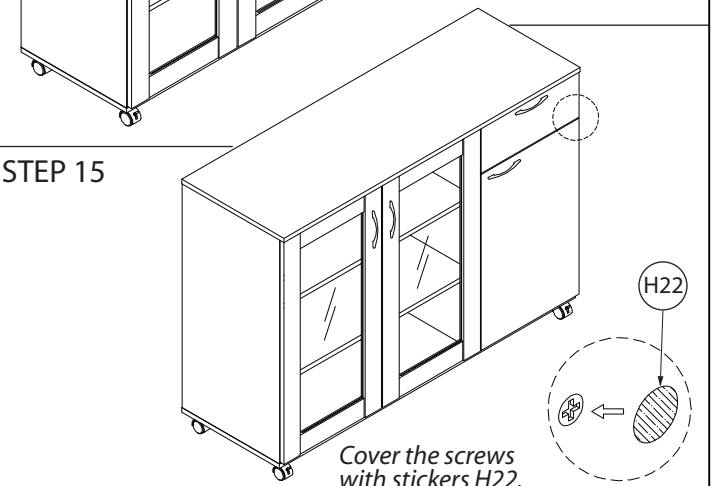
Slide in the drawer properly.

STEP 11



Rear

STEP 15



Cover the screws with stickers H22.