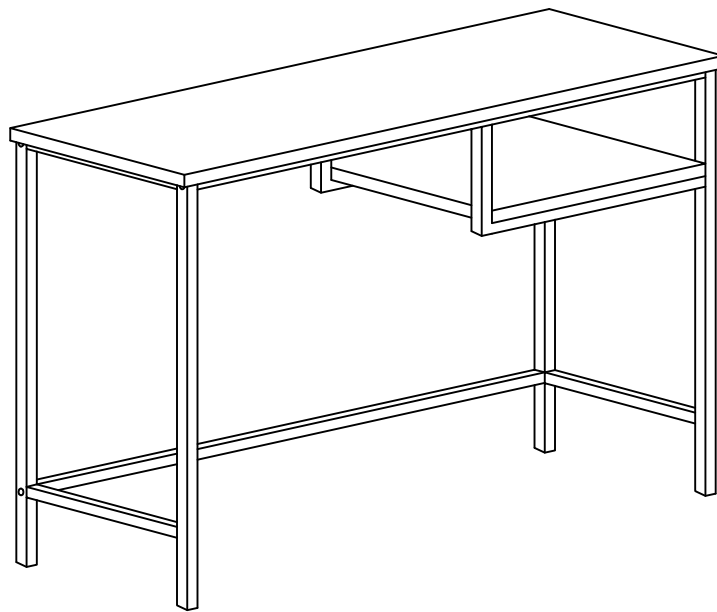


ASSEMBLY INSTRUCTIONS






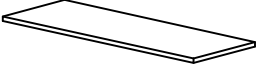

Style #HO238 Desk



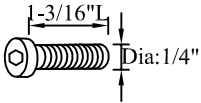
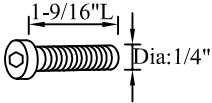
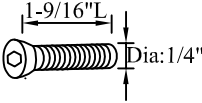

NOTE TO CUSTOMERS:

- For ease and speed of assembly we recommend that before you commence each step of the assembly that you identify all the parts required to complete that step.
- We recommend that where possible you allow sufficient space to assemble the item as close as possible to the place where it will be once assembled.
- For the protection of your furniture we recommend that the product is placed on protected surfaces during assembly to prevent any damage.
- During assembly do not over tighten, as this may damage the product.
- Please ensure you retain all the product packaging until the item completely assembled.
- Please periodically check all fittings and re-tighten as necessary.
- Please never allow any liquids to remain on your furniture as absorption can cause the wood to warp or finish to de-laminate.
- It is recommended that this item should be assembled by two adults.

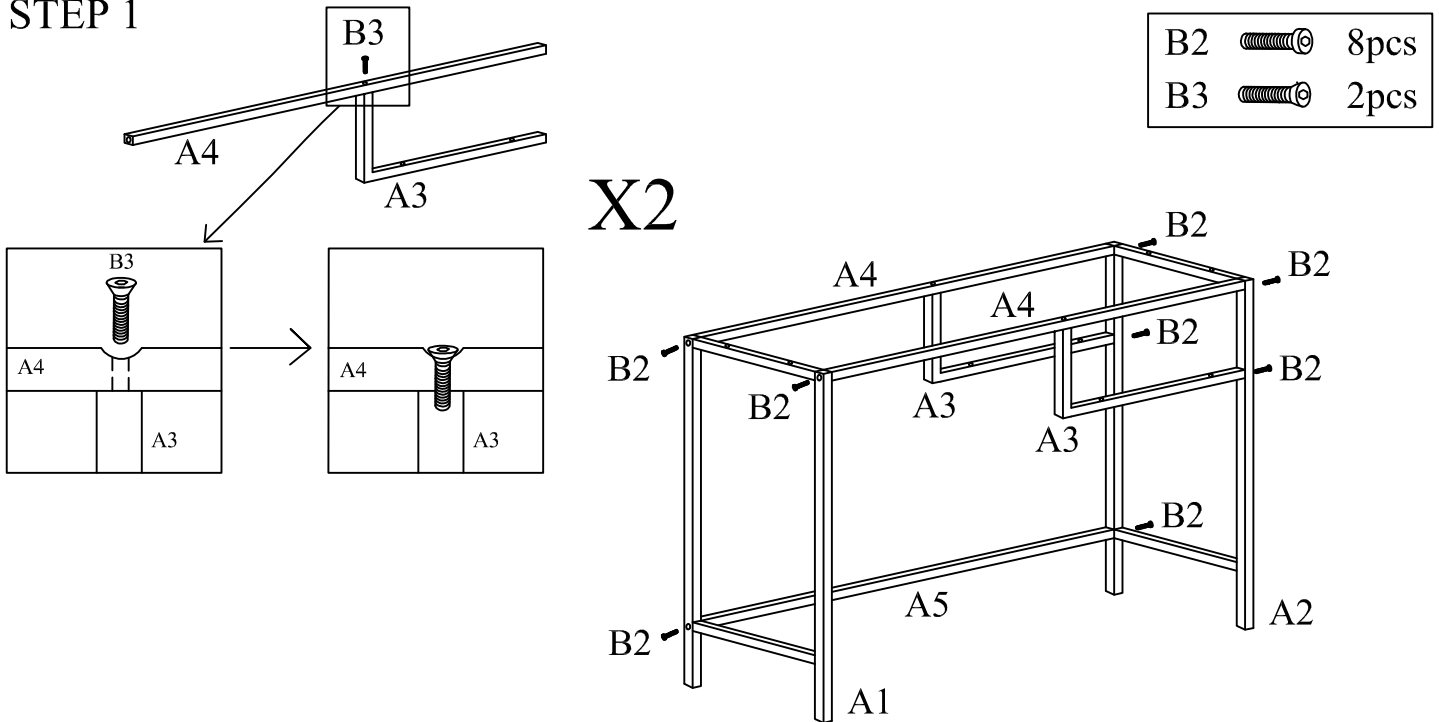
Part List

<p>A1. Quantity of 1</p>  <p>Side Frame</p>	<p>A2. Quantity of 1</p>  <p>Side Frame</p>	<p>A3. Quantity of 2</p>  <p>Connect Bar</p>	<p>A4. Quantity of 2</p>  <p>Upper Connect Bar</p>
<p>A5. Quantity of 1</p>  <p>Lower Connect Bar</p>	<p>A6. Quantity of 1</p>  <p>Top Panel</p>	<p>A7. Quantity of 1</p>  <p>Shelf</p>	

Hardware List

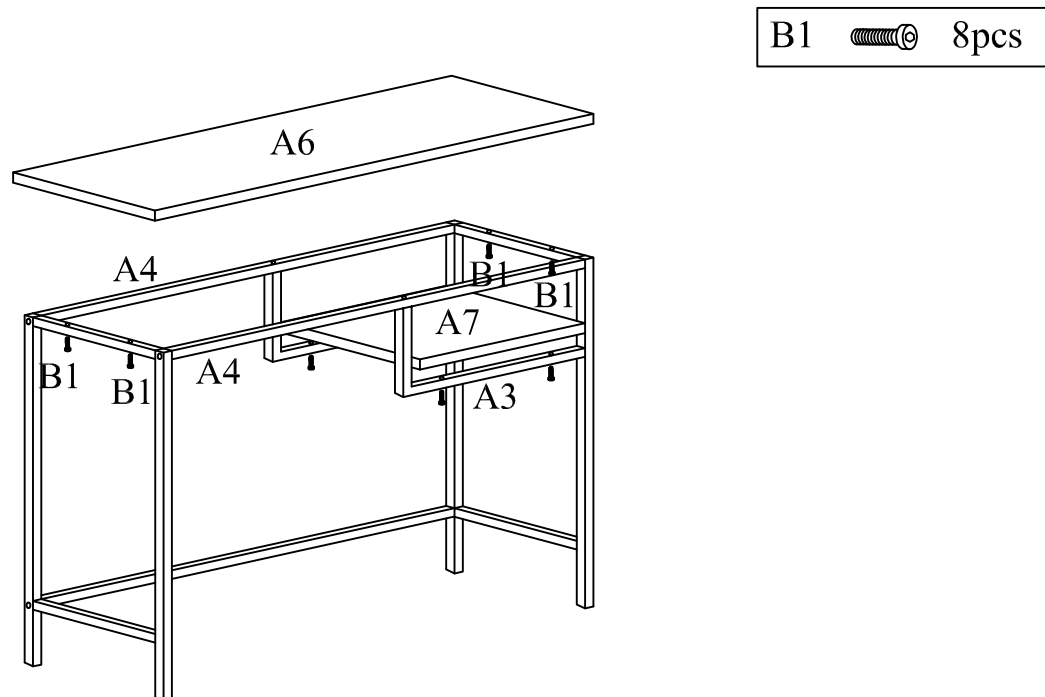
<p>B1. Quantity of 8</p>  <p>Bolt</p>	<p>B2. Quantity of 8</p>  <p>Bolt</p>	<p>B3. Quantity of 2</p>  <p>Bolt</p>	 <p>Allen Wrench</p>

STEP 1



- 1). Assemble Connect Bar A3 to Upper Connect Bar A4 using Bolts B3 as shown above.
 - 2). Assemble Side Frames A1 & A2 to Connect Bars A3 & A4 & A5 using Bolts B2.
- Noted: Please do not tighten Bolts B2 until Step 2.

STEP 2



- 1). Assemble Shelf A7 to Connect Bars A3 using Bolts B1.
 - 2). Assemble Top Panel A6 to Connect Bars A4 using Bolts B1.
- Noted: Place unit on the floor and check if it is stable before tightening all bolts.