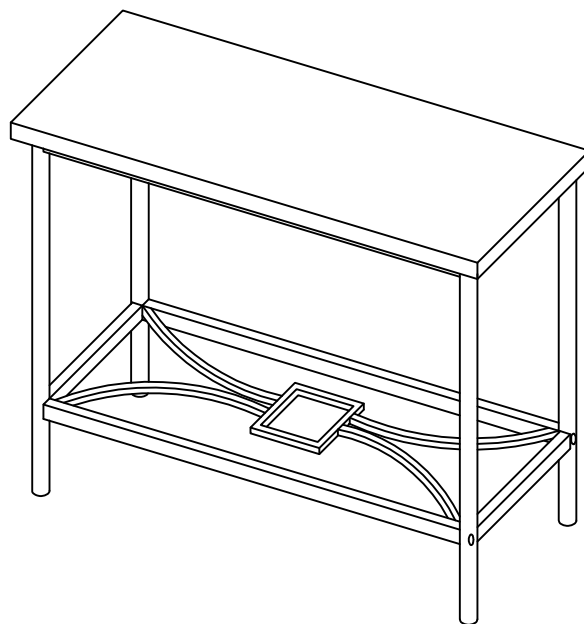


# ASSEMBLY INSTRUCTIONS

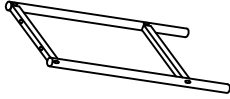

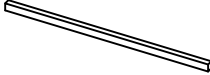
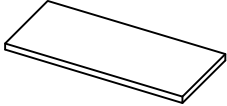
## Style #1382-E End Table



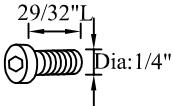
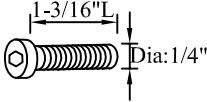

### NOTE TO CUSTOMERS:

- For ease and speed of assembly we recommend that before you commence each step of the assembly that you identify all the parts required to complete that step.
- We recommend that where possible you allow sufficient space to assemble the item as close as possible to the place where it will be once assembled.
- For the protection of your furniture we recommend that the product is placed on protected surfaces during assembly to prevent any damage.
- During assembly do not over tighten, as this may damage the product.
- Please ensure you retain all the product packaging until the item completely assembled.
- Please periodically check all fittings and re-tighten as necessary.
- Please never allow any liquids to remain on your furniture as absorption can cause the wood to warp or finish to de-laminate.
- It is recommended that this item should be assembled by two adults.

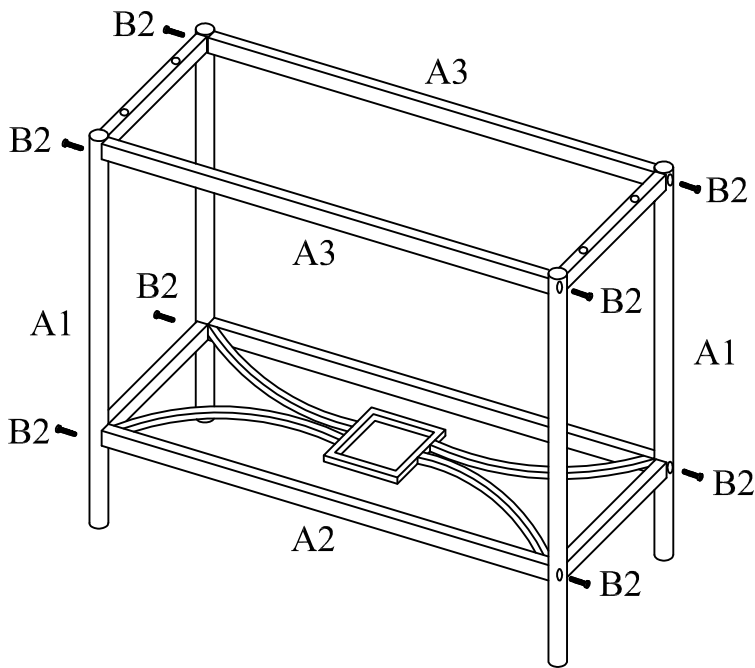
# Part List

<p>A1.                      Quantity                                  of 2</p>	<p>A2.                      Quantity                                  of 1</p>	<p>A3.                      Quantity                                  of 2</p>	<p>A4.                      Quantity                                  of 1</p>
			
Side Frame	Bottom Frame	Connect Bar	Top Panel

# Hardware List

<p>B1.                      Quantity                                  of 4</p>	<p>B2.                      Quantity                                  of 8</p>		
			
Bolt	Bolt	Allen Wrench	

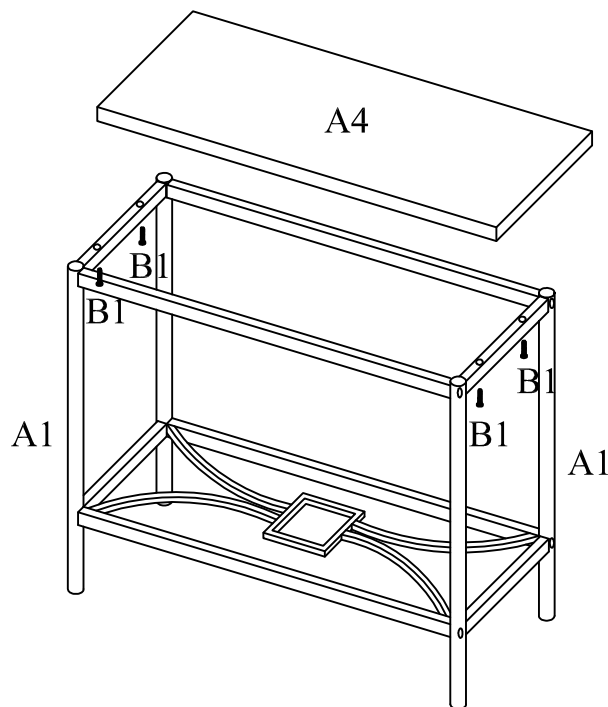
## STEP 1



B2  8pcs

Assemble Bottom Frame A2 and Connect Bars A3 to Side Frames A1 using Bolts B2.  
Noted: Please do not tighten Bolts B2 until Step 2.

## STEP 2



B1  4pcs

Assemble Top Panel A4 to Side Frames A1 using Bolts B1.  
Noted: Place unit on the floor and check if it is stable before tightening all bolts.