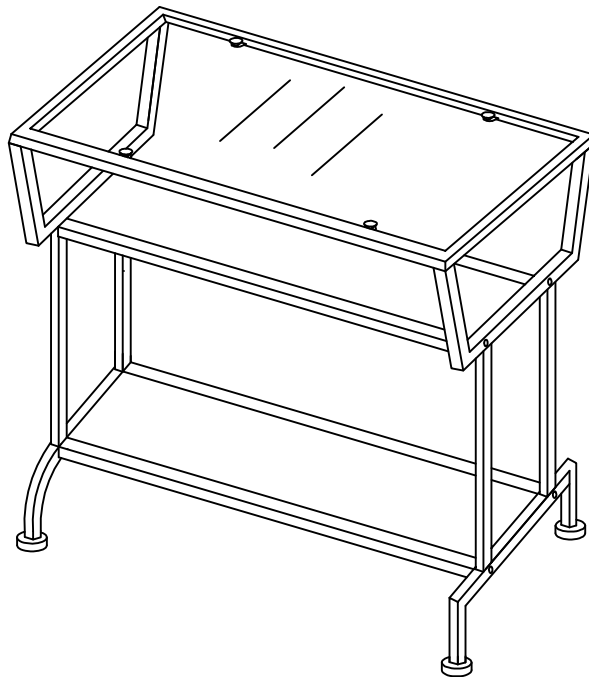


ASSEMBLY INSTRUCTIONS

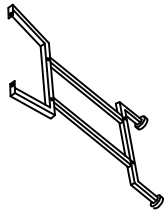
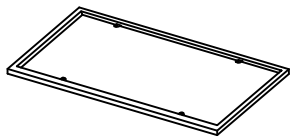
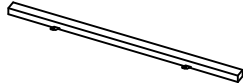
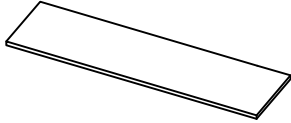
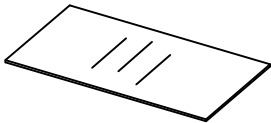
Style #1381-E End Table



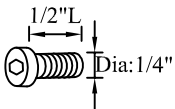
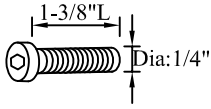
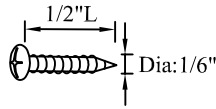


NOTE TO CUSTOMERS:

- For ease and speed of assembly we recommend that before you commence each step of the assembly that you identify all the parts required to complete that step.
- We recommend that where possible you allow sufficient space to assemble the item as close as possible to the place where it will be once assembled.
- For the protection of your furniture we recommend that the product is placed on protected surfaces during assembly to prevent any damage.
- During assembly do not over tighten, as this may damage the product.
- Please ensure you retain all the product packaging until the item completely assembled.
- Please periodically check all fittings and re-tighten as necessary.
- Please never allow any liquids to remain on your furniture as absorption can cause the wood to warp or finish to de-laminate.
- It is recommended that this item should be assembled by two adults.

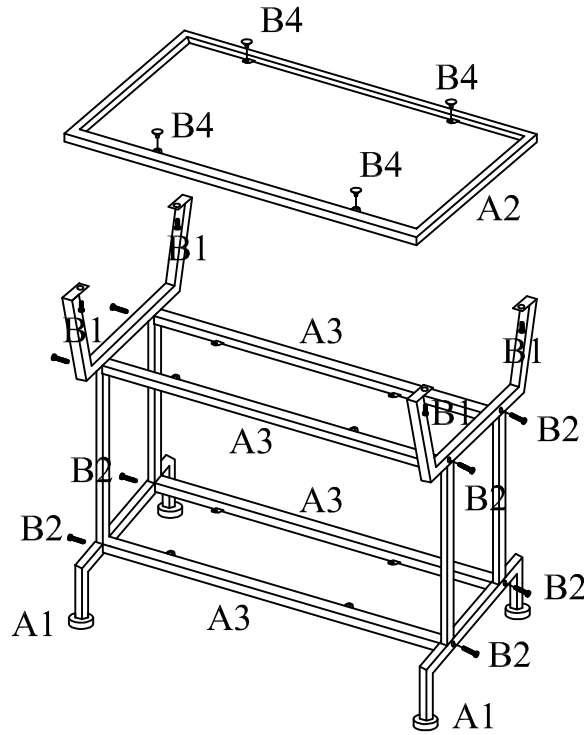
Part List




| | | | |
|--|---|--|---|
| <p>A1. Quantity of 2</p>  <p>Side Frame</p> | <p>A2. Quantity of 1</p>  <p>Top Frame</p> | <p>A3. Quantity of 4</p>  <p>Connect Bar</p> | <p>A4. Quantity of 2</p>  <p>Shelf</p> |
| <p>A5. Quantity of 1</p>  <p>Glass</p> | | | |

Hardware List

| | | | |
|--|--|--|---|
| <p>B1. Quantity of 4</p>  <p>Bolt</p> | <p>B2. Quantity of 8</p>  <p>Bolt</p> | <p>B3. Quantity of 8</p>  <p>Screw</p> | <p>B4. Quantity of 4</p>  <p>Suction Cup</p> |
|  <p>Allen Wrench</p> | | | |

STEP 1



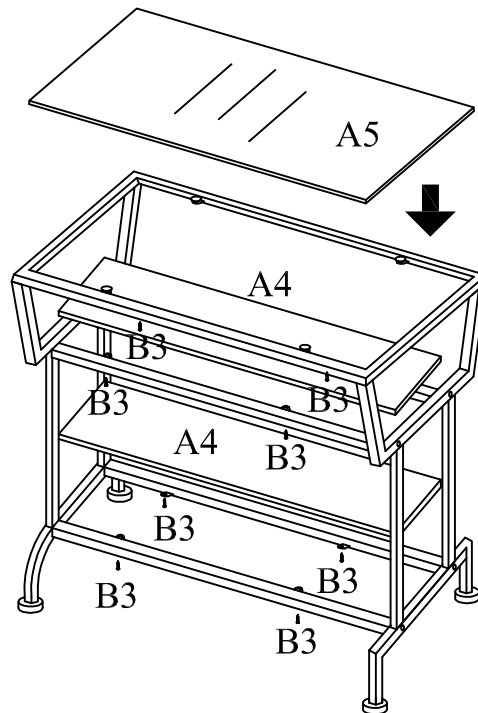
| | | |
|----|---|------|
| B1 |  | 4pcs |
| B2 |  | 8pcs |
| B4 |  | 4pcs |

1). Assemble Top Frame A2 and Connect Bars A3 to Side Frames A1 using Bolts B1&B2.

2). Insert Suction Cups B4 to Top Frame A2.

Noted: Please do not tighten Bolts B1&B2 until Step 2.

STEP 2



| | | |
|----|---|------|
| B3 |  | 8pcs |
|----|---|------|

1). Assemble Shelves A4 to Connect Bars A3 using Screws B3.

2). Place Glass A5 onto Suction Cups B4 as shown above.

Noted: Place unit on the floor and check if it is stable before tightening all bolts.