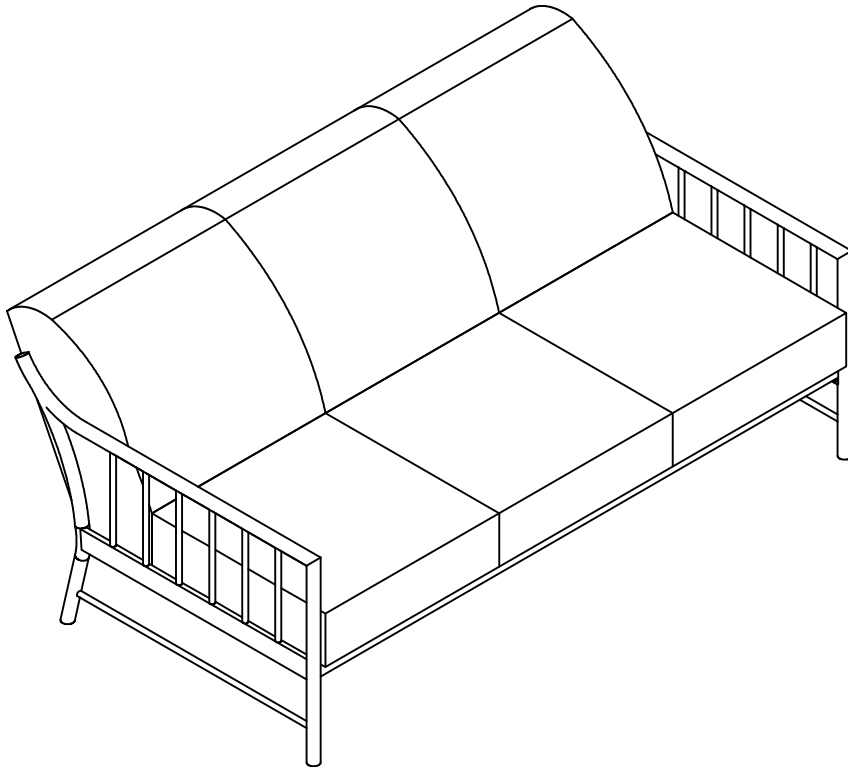


ASSEMBLY INSTRUCTIONS

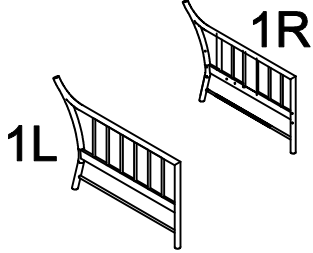
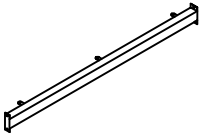
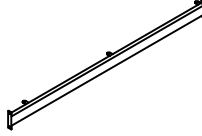
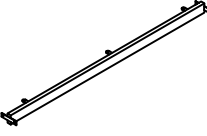
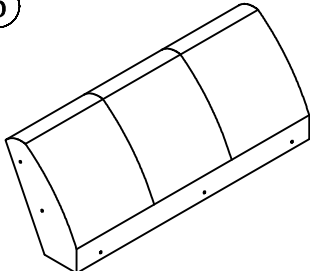
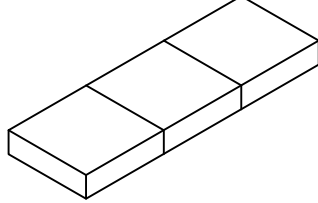
Style# 7267-S Contract Loveseat



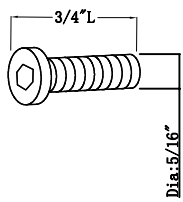
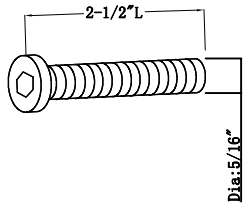
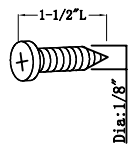



NOTE TO CUSTOMERS:

- For ease and speed of assembly we recommend that before you commence each step of the assembly that you identify all the parts required to complete that step.
- We recommend that where possible you allow sufficient space to assemble the item as close as possible to the place where it will be once assembled.
- For the protection of your furniture we recommend that the product is placed on protected surfaces during assembly to prevent any damage.
- During assembly do not over tighten, as this may damage the product.
- Please ensure you retain all the product packaging until the item completely assembled.
- Please periodically check all fittings and re-tighten as necessary.
- Never allow any liquids to remain on your furniture as absorption can cause the wood to warp or the finish to de-laminate.
- It is recommended that this item should be assembled by two adults.

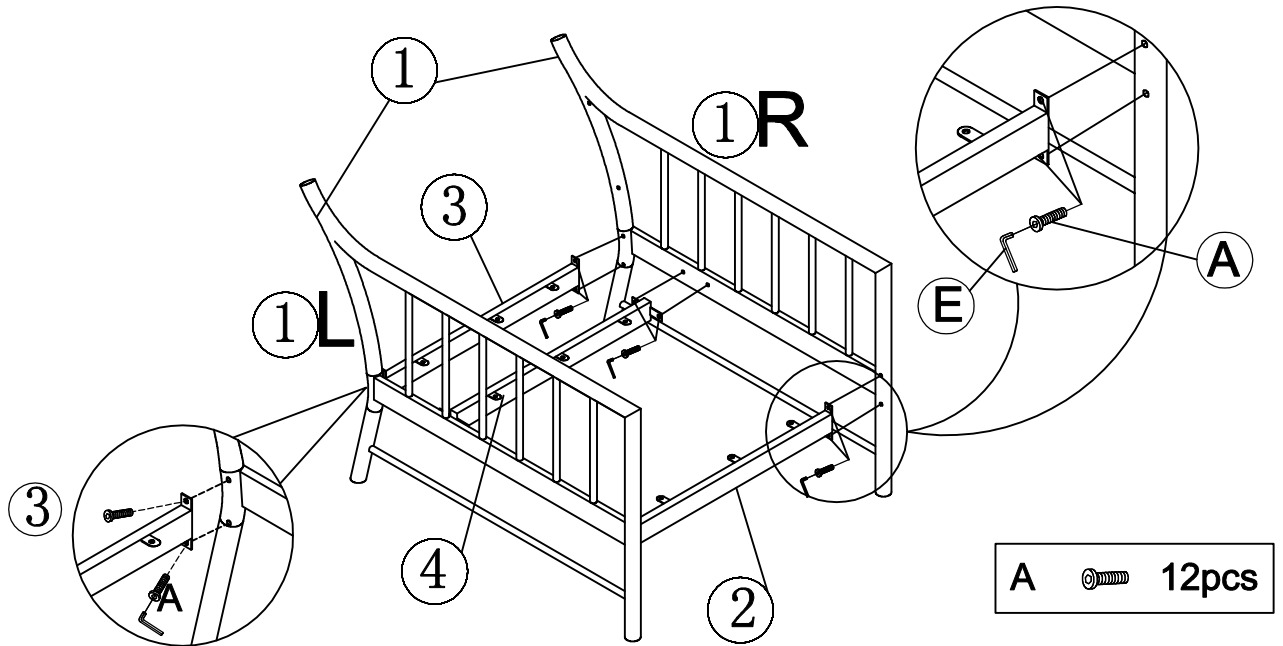
Part List

<p>①</p>  <p>Side Frame-2pcs</p>	<p>②</p>  <p>Front Support Bar-1pc</p>	<p>③</p>  <p>Back Support Bar-1pc</p>
<p>④</p>  <p>Center Support Bar-1pc</p>	<p>⑤</p>  <p>Back Cushion-1pc</p>	<p>⑥</p>  <p>Seat Cushion-1pc</p>

Hardware List

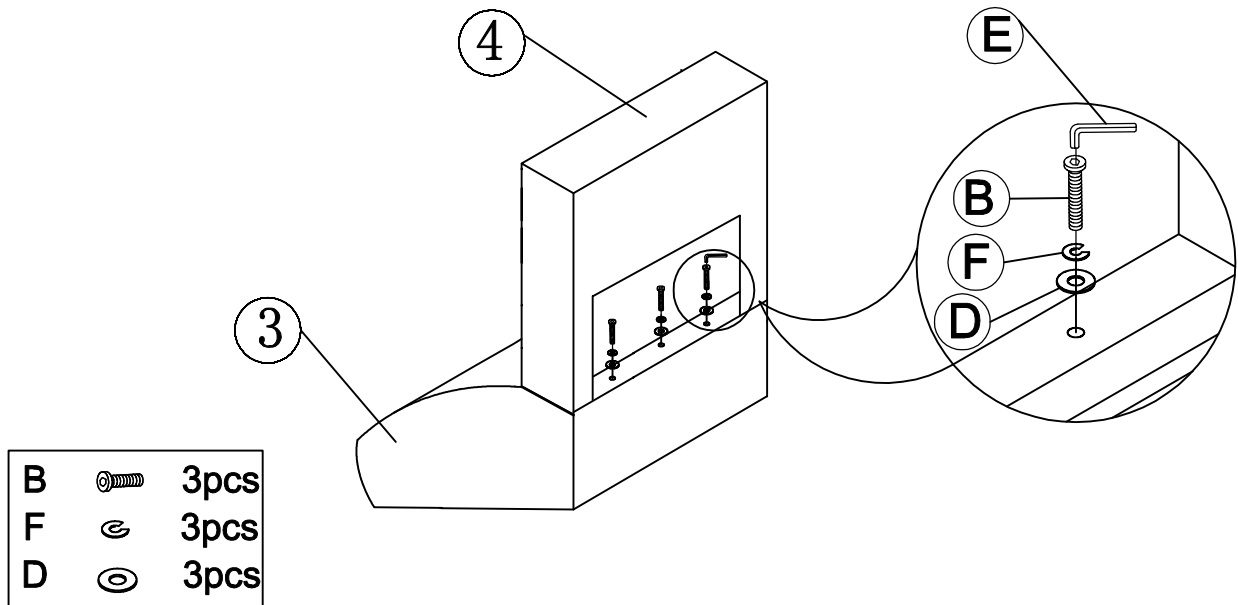
<p>Ⓐ Bolt -12pcs</p> 	<p>Ⓑ Bolt -7pcs</p> 	<p>Ⓒ Screw -9pcs</p> 
<p>Ⓓ Flat Washer-7pcs</p> 	<p>Ⓔ Allen Key-1pc</p> 	<p>Ⓕ Spring Washer-7pcs</p> 

STEP 1



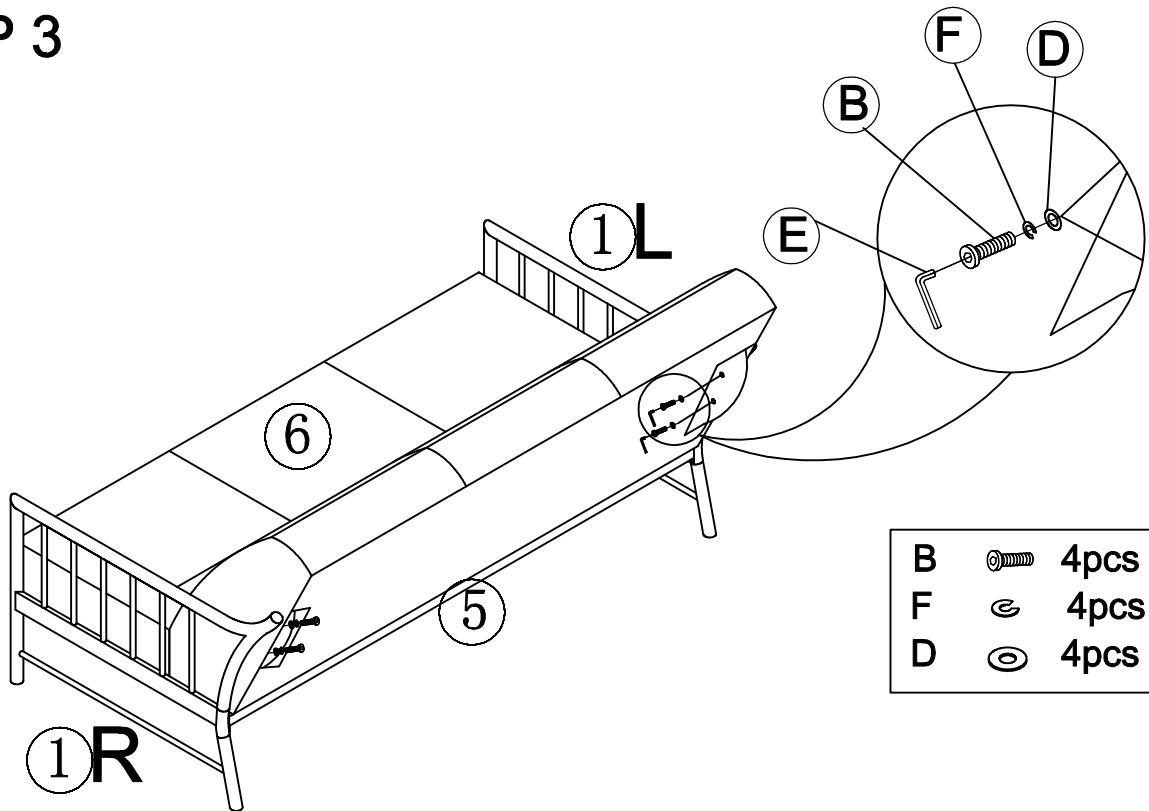
1. Assemble Front Support Bar (2) to Side Frame (1L)&(1R) using Bolts (A).
 2. Assemble Center and Back Support Bars (3)&(4) to Side Frame (1L)&(1R) using Bolts(A).
- Place the frame on the floor and check if it is stable before tightening all bolts.

STEP 2



Attach Seat Cushion (6) to Back Cushion (5) using Bolts (B), Spring Washers (F) and Flat Washers (D). Please tighten the bolts when all of them are aligned.

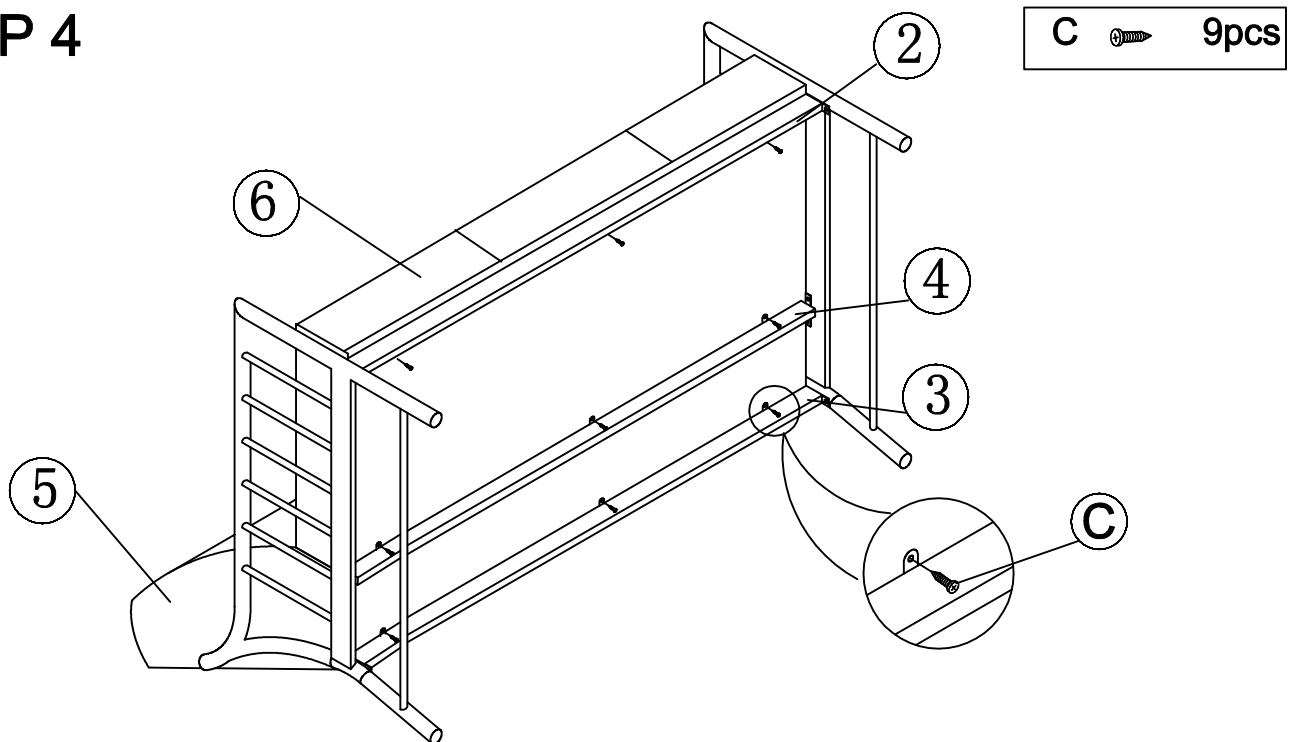
STEP 3



Place and attach Back and Seat Cushion (5)&(6) to Side Frames (1L)&(1R) using Bolts (B), Spring Washers (F) and Flat Washers (D).

NOTE: It is only necessary to attach the upper bolt on each side, the lower one is optional. Not attaching to lower bolts will not effect the sturdiness of the chair.

STEP 4



Tighten Seat Cushion (6) and Back Cushion (5) to Support Bars (2&3&4) using Screws (C).