

ASSEMBLY INSTRUCTIONS

MODEL : 0178A
QUEEN BED(4+4)

(Box 1)
BOX OF HEADBOARD & FOOTBOARD

No	ITEM	Qty
A	Headboard	1 pc
B	Headboard Leg (L/R) Nail Leg 770	2 pcs
C	Footboard	1 pc
D	Bed Slats	4 pcs
E	Bed Slats Support 30x30x225mm	4 pcs

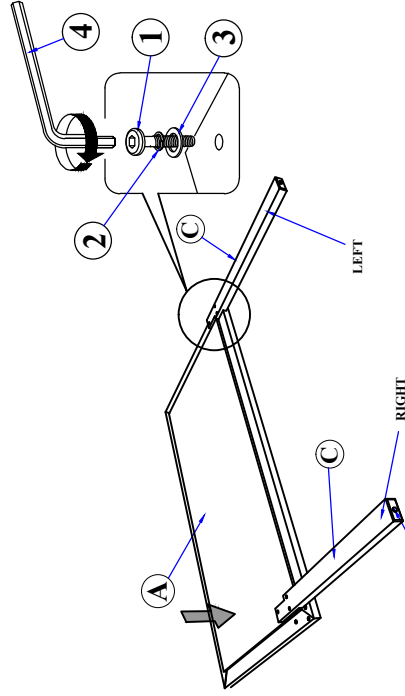
(Box 2)
BOX OF SIDE RAIL

No	ITEM	Qty
F	Side Rail	2 pcs

(Box 1)
BOX OF HEADBOARD & FOOTBOARD

No	ITEM	Qty
1	JCBC M6 x 30mm	6 pcs
2	SPRING WASHER 1/4" Row	6 pcs
3	Flat Washer 1/4"ID x 13mmOD Blk	6 pcs
4	ALLEN KEY m4x65mm Blk	1 pc
5	Csk M4 x 32mm	8 pcs
6	ALLEN KEY m5x65mm Blk	1 pc

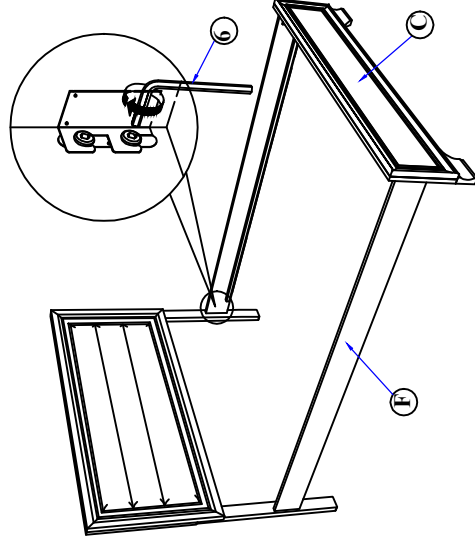
STEP 1 : Attach Head Board (C) to Head Board (A) as shown using JCBC BOLT(1) with Spring Washer (2), Flat washer (3) and securing with ALLEN KEY (4).



**BACK VIEW

**Please take note the marking on the leg **

STEP 2 : Hook SIDE RAIL (F) TO HEAD BOARD (A) closely and push down to fit. repeat step 2 with other end of rail to hook onto FOOTBOARD (C).



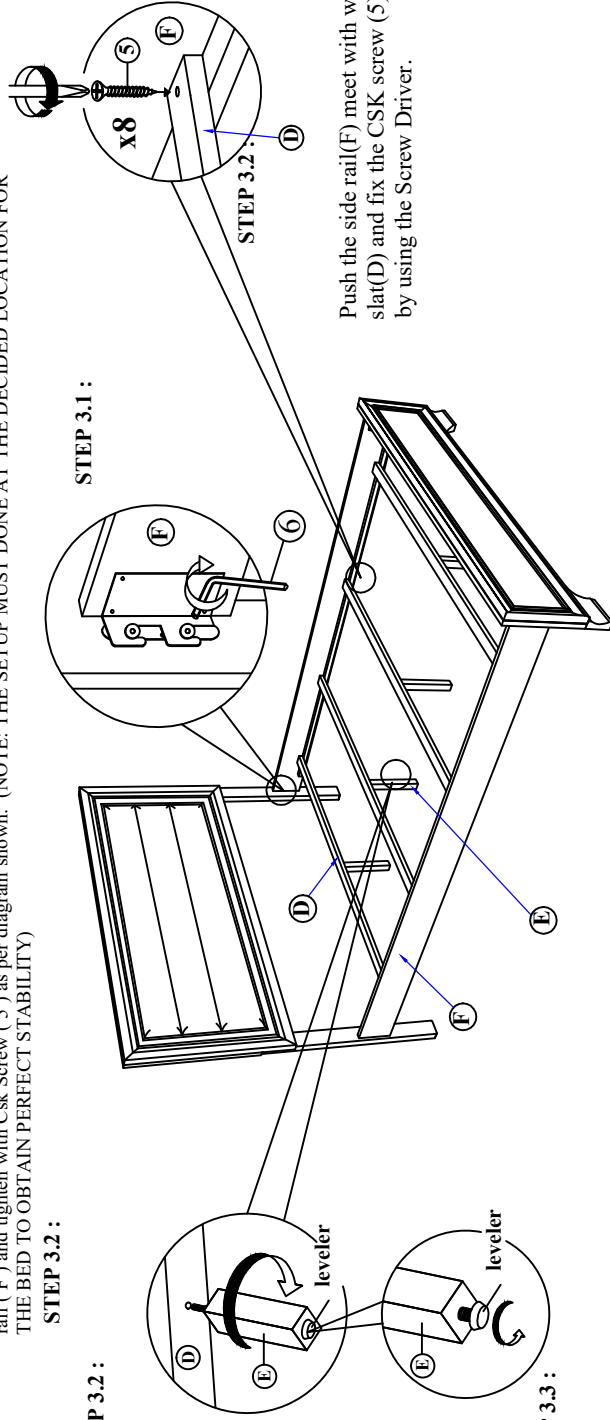
STEP 3 : Tighten the 4 Corner with Allen Key (6). Fix the Bed Slat Support Leg (E), to Bed Slat (D) as shown. Install the bed slat (D) to side rail (F) and tighten with Csk Screw (5) as per diagram shown. (NOTE: THE SETUP MUST BE DONE AT THE DECIDED LOCATION FOR THE BED TO OBTAIN PERFECT STABILITY)

STEP 3.1 :

STEP 3.2 :

STEP 3.2 :

STEP 3.3 :



Push the side rail(F) meet with wooden slat(D) and fix the Csk screw (5) by using the Screw Driver.

NOTE : MUST TIGHTEN SCREWS PERIODCALLY WITH USE SCREW. WILL BECOME LOOSE CHECK TIGHTNESS OF ALL SCREW EVERY 6-8 WEEKS.