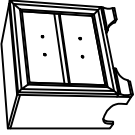
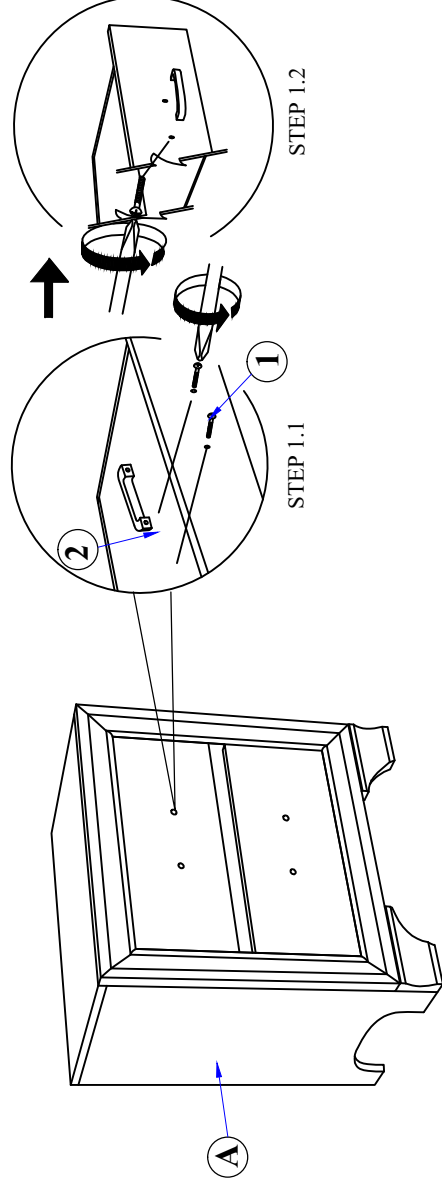




B2199-N

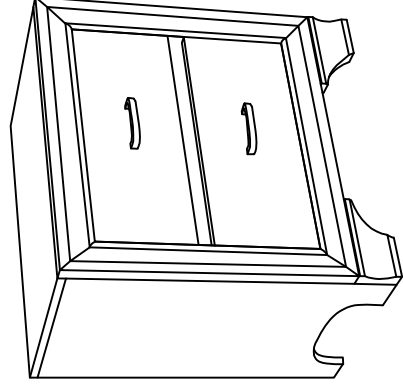
ASSEMBLY INSTRUCTIONS

MODEL : 0178A NIGHT STAND		
(BOX 1) BOX OF NIGHT STAND		
NO	ITEM	QTY
A	NIGHT STAND 	1 PC

STEP 1 : Remove HANDLE (2) using a Phillips head screw driver as shown in illustration STEP - A. Re-install the HANDLE (2) as per diagram STEP - B. Repeat STEP - A STEP - B until HANDLE (2) are attached correctly.



(BOX 1) HARDWARE LIST		
NO	ITEM	QTY
1	Truss Head Machine Screw m4x3.2mm Blk 	4 PCS
2	HANDLE 	2 PCS



COMPLETED ASSEMBLY

NOTE : MUST TIGHTEN SCREWS PERIODICALLY WITH USE SCREW WILL BECOME LOOSE CHECK TIGHTNESS OF ALL SCREW EVERY 6-8 WEEKS.