

B2199-M

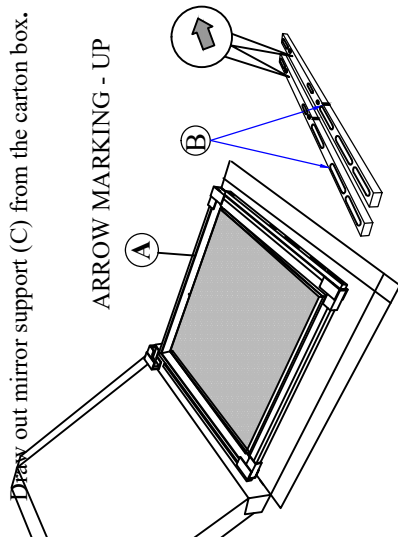
ASSEMBLY INSTRUCTIONS

STEP 1 :

Draw out mirror support (C) from the carton box.

(Box 1)
BOX OF MIRROR

NO	ITEM	QTY
A	MIRROR FRAME WITH BEVELLED	1 PC
B	MIRROR SUPPORT RAIL	



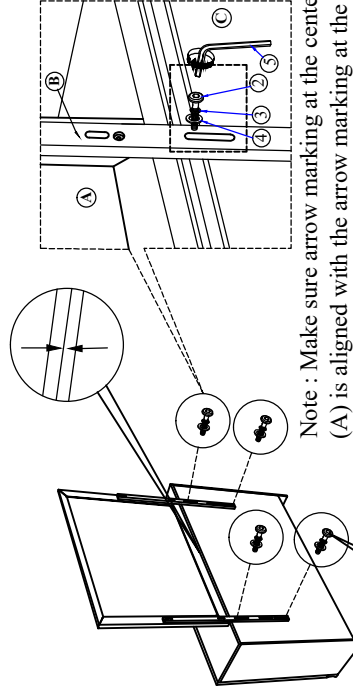
(Box 2)
BOX OF DRESSER

NO	ITEM	QTY
C	DRESSER	1 PC

STEP 3 : Place mirror (A) on top of dresser (B). Align & fasten mirror support (B) to the back of dresser (C) using long JCBC bolt (2), spring washer (3) & flat washer (4) THEN FULLY TIGHTEN ALL THE BOLTS AT STEP 2 & 3 WITH ALLEN KEY (5).

(Box 1)
HARDWARE LIST

NO	ITEM	QTY
1	JCBC BOLT M6 X 35MM BLK	4 PCS
2	JCBC BOLT M6 X 40MM BLK	4 PCS
3	SPRING WASHER 1/4" RBW	8 PCS
4	FLAT WASHER 1/4" ID X 19mm OD BLK	8 PCS
5	ALLEN KEY m4 x 65mm BLK	1 PC

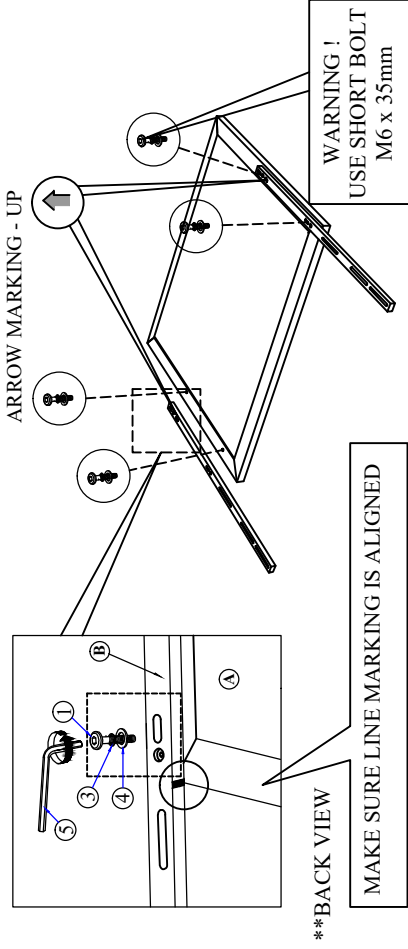


Note : Make sure arrow marking at the center of mirror (A) is aligned with the arrow marking at the center of dresser (C).

WARNING !
USE LONG BOLT
M6 x 40mm

STEP 2 : Align & fasten mirror support (B) to the back of mirror (A) using short JCBC bolt(1),spring washer (3) & flat washer (4). DO NOT FULLY TIGHTEN AT THIS STEP.

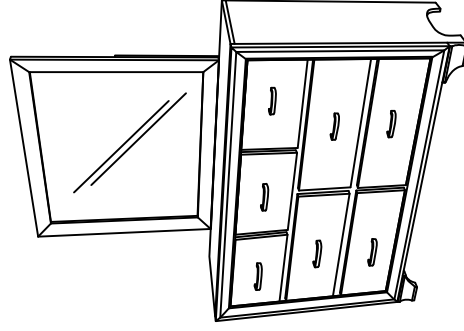
Note : Make sure arrow marking of the mirror support (C) is aligned up.



****BACK VIEW**

MAKE SURE LINE MARKING IS ALIGNED

WARNING !
USE SHORT BOLT
M6 x 35mm



COMPLETED
ASSEMBLY

NOTE : MUST TIGHTEN SCREWS PERIODICALLY WITH USE SCREW WILL BECOME LOOSE CHECK TIGHTNESS OF ALL SCREW EVERY 6-8 WEEKS.