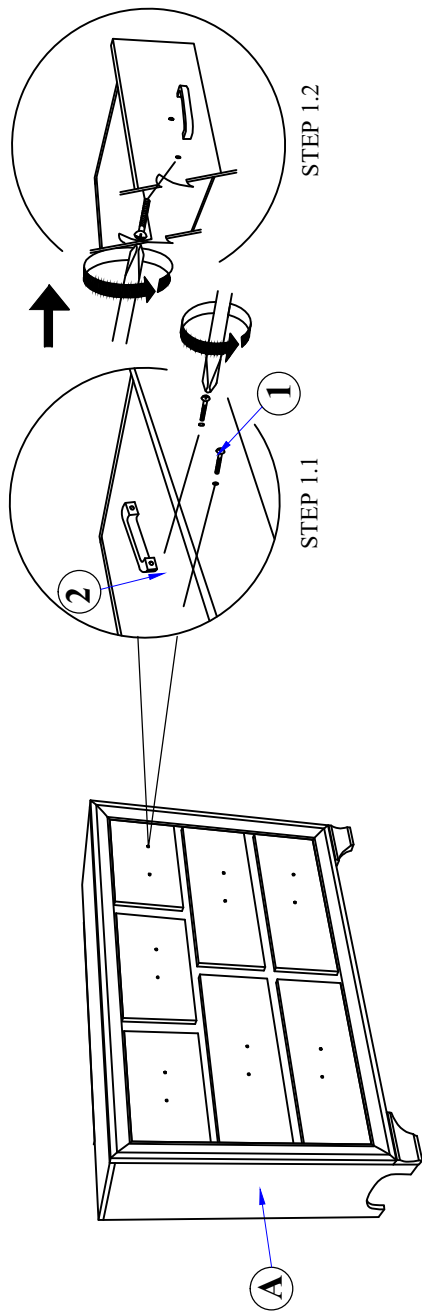





B2199-D

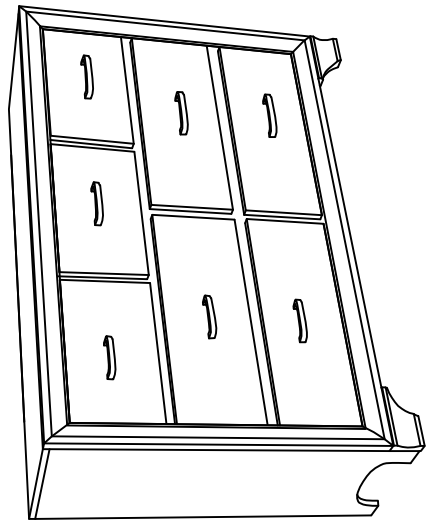
ASSEMBLY INSTRUCTIONS

STEP 1 : Remove HANDLE (2) using a Philips head screw driver as shown in illustration STEP - A. Re-install the HANDLE (2) as per diagram STEP - B. Repeat STEP - A STEP - B until HANDLE (2) are attached correctly.



MODEL : 0178A DRESSER		
(BOX 1) BOX OF DRESSER		
NO	ITEM	QTY
A	DRESSER 	1 PC

(BOX 1) HARDWARE LIST		
NO	ITEM	QTY
1	Truss Head Machine Screw m4x3.2mm Blk 	14 PCS
2	HANDLE 	7 PCS



COMPLETED ASSEMBLY

NOTE : MUST TIGHTEN SCREWS **PERIODICALLY** WITH USE SCREW WILL BECOME LOOSE CHECK TIGHTNESS OF ALL SCREW EVERY 6-8 WEEKS.