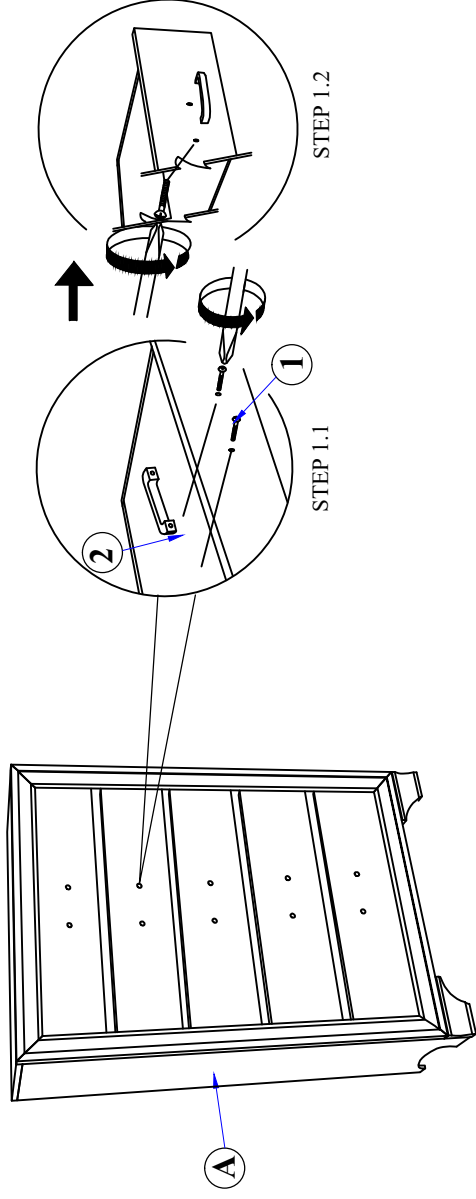



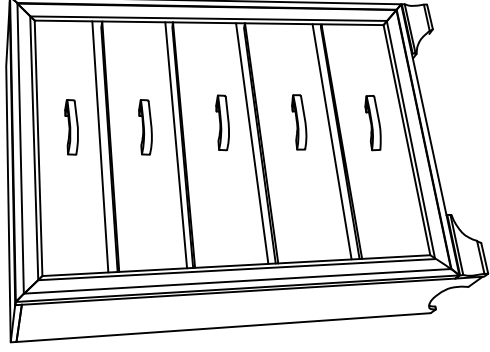


# ASSEMBLY INSTRUCTIONS

**STEP 1 :** Remove HANDLE ( 2 ) using a Phillips head screw driver as shown in illustration STEP - A. Re-install the HANDLE ( 2 ) as per diagram STEP - B. Repeat STEP - A STEP - B until HANDLE ( 2 ) are attached correctly.



<b>MODEL : 0178A B2199-C</b>		
<b>(BOX 1) BOX OF CHEST</b>		
NO	ITEM	QTY
A	CHEST 	1 PC
<b>(BOX 1) HARDWARE LIST</b>		
NO	ITEM	QTY
1	Truss Head Machine Screw m4x3.2mm Blk 	10 PCS
2	HANDLE 	5 PCS



**COMPLETED ASSEMBLY**

NOTE : MUST TIGHTEN SCREWS PERIODICALLY WITH USE SCREW WILL BECOME LOOSE CHECK TIGHTNESS OF ALL SCREW EVERY 6-8 WEEKS.