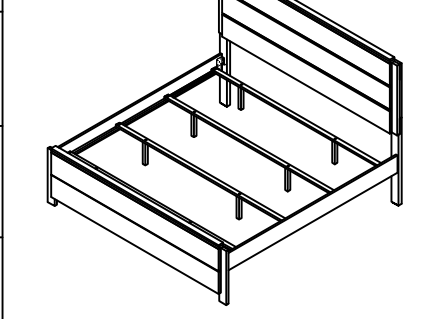
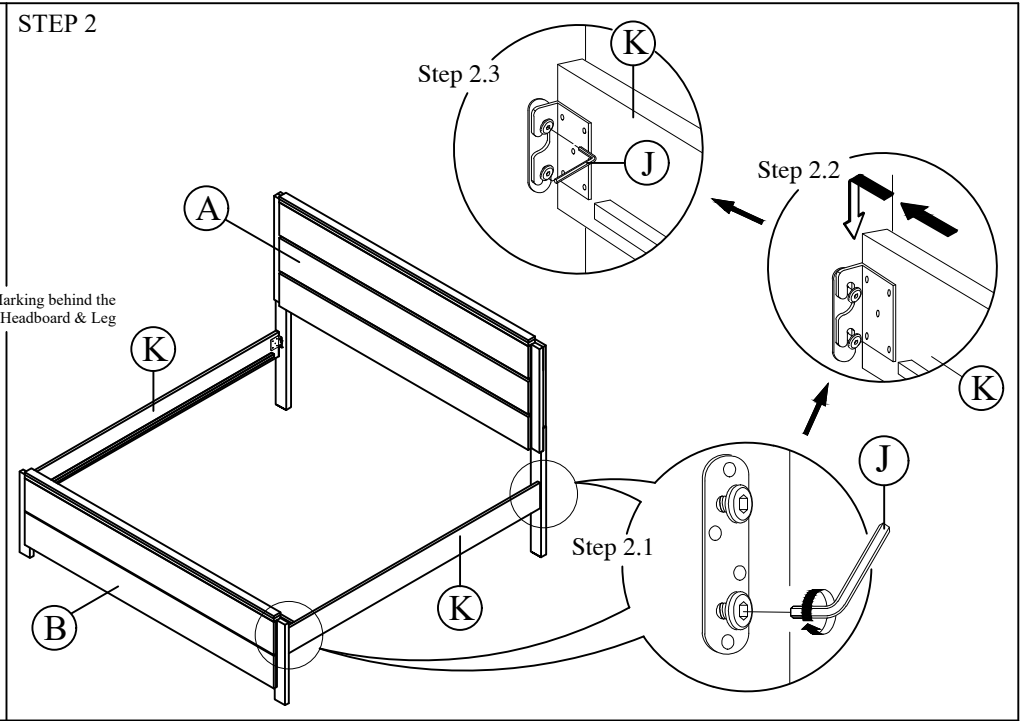
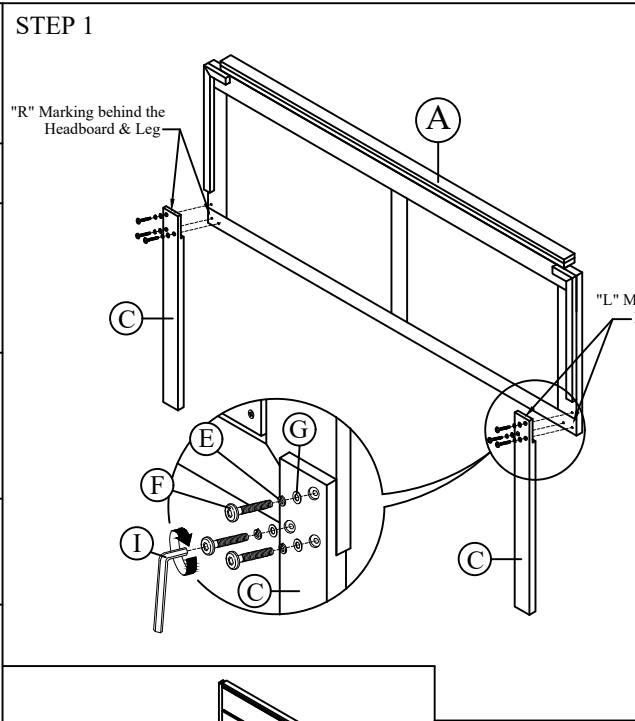


ASSEMBLY INSTRUCTIONS

MODEL : B2186 K

NO	PART & HARDWARE LIST IN HEADBOARD	QTY.
A	HEADBOARD	1PC
B	FOOTBOARD	1PC
C	LEG (Marking L & R)	2PCS
D	SLATS (3 HOLES)	4PCS
E	BED SLAT SUPPORT	8PCS
F	JCBC M6 X 30mm	6PCS
E	SPRING WASHER $\varnothing\frac{1}{4}$ "	6PCS
G	FLAT WASHER $\varnothing\frac{1}{4}$ " x 13mm	6PCS
H	CSK M4 x 32mm	8PCS
I	L KEY M4	1PC



J	L KEY M5	1PC
NO	PART LIST IN SIDERAIL	QTY.
K	SIDERAIL	2PCS

