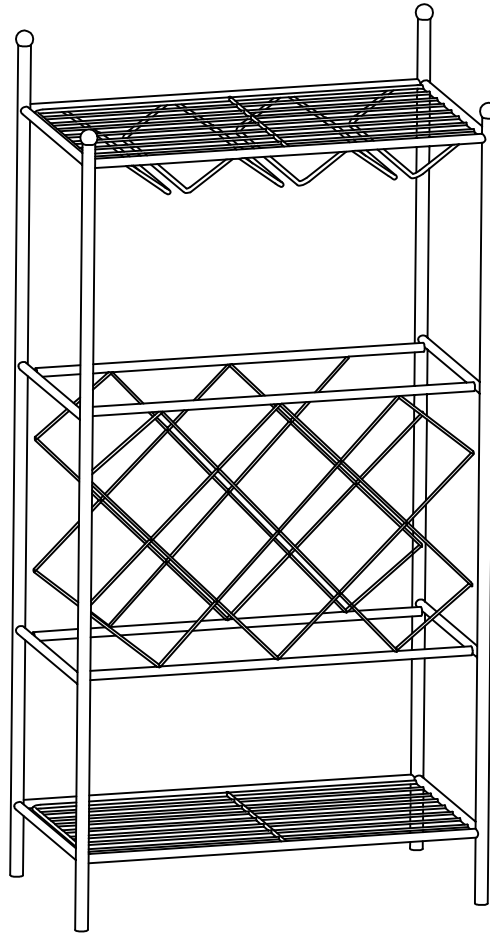


# ASSEMBLY INSTRUCTIONS



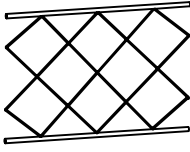

## Style # WR1424 Wine Rack



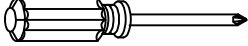
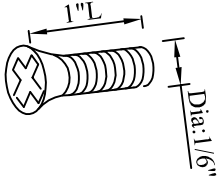
### NOTE TO CUSTOMERS:

- For ease and speed of assembly we recommend that before you commence each step of the assembly that you identify all the parts required to complete that step.
- We recommend that where possible you allow sufficient space to assemble the item as close as possible to the place where it will be once assembled.
- For the protection of your furniture we recommend that the product is placed on protected surfaces during assembly to prevent any damage.
- During assembly do not over tighten, as this may damage the product.
- Please ensure you retain all the product packaging until the item completely assembled.
- Please periodically check all fittings and re-tighten as necessary.
- Never allow any liquids to remain on your furniture as absorption can cause the wood to warp or the finish to de-laminate.
- It is recommended that this item should be assembled by two adults.

## Part List

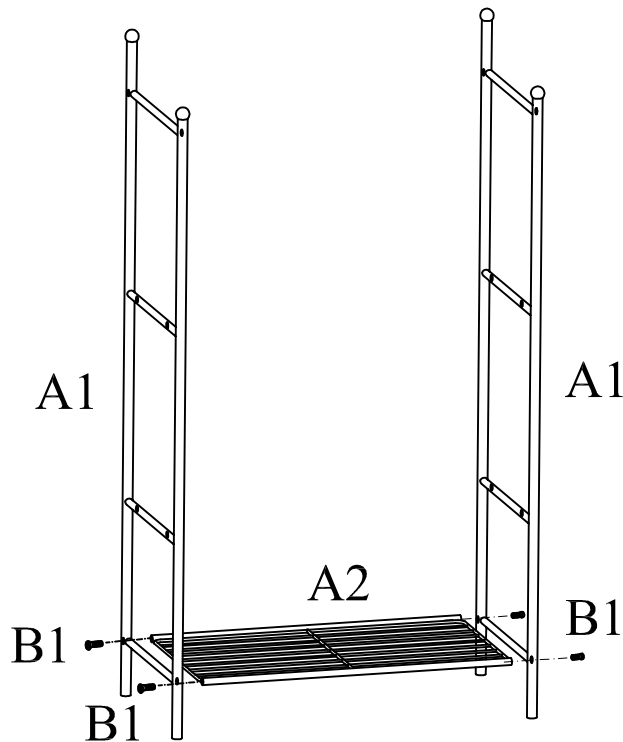
A1.	Quantity of 2	A2.	Quantity of 1	A3.	Quantity of 2	A4.	Quantity of 1
							
Side Frame		Bottom Net Rack		Wine Rack		Top Net Rack	

## Hardware List

B1.	Quantity of 16		(NOT INCLUDED)
			
Bolt			

### STEP 1

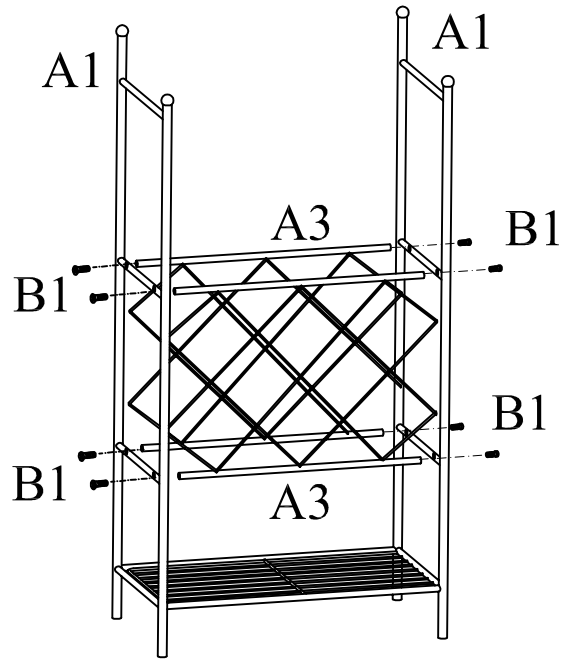
B1  4pcs



Assemble Side Frames A1 to Bottom Net Rack A2 using Bolts B1.  
 Noted: Please do not tighten Bolts B1 until Step 3.

## STEP 2

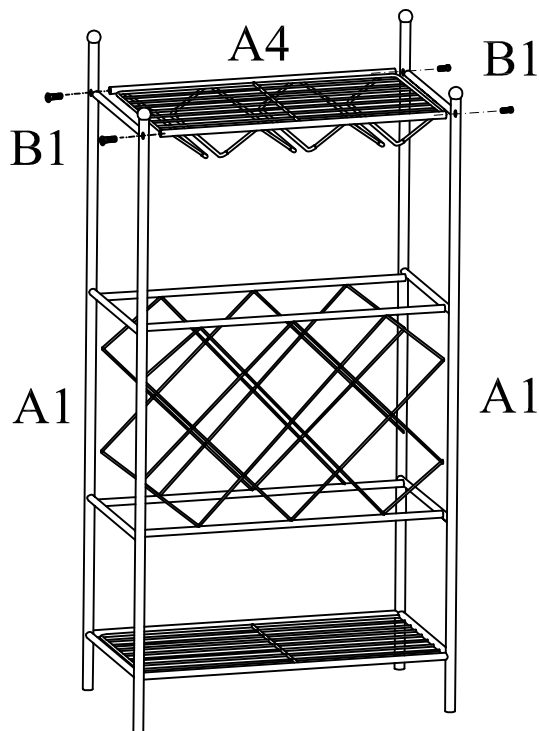
B1  8pcs



Assemble Wine Racks A3 to Side Frames A1 using Bolts B1.  
Noted: Please do not tighten Bolts B1 until Step 3.

## STEP 3

B1  4pcs



Assemble Top Net Rack A4 to Side Frames A1 using Bolts B1.  
Noted: Place this unit on the floor and check if it is stable before tightening all bolts.