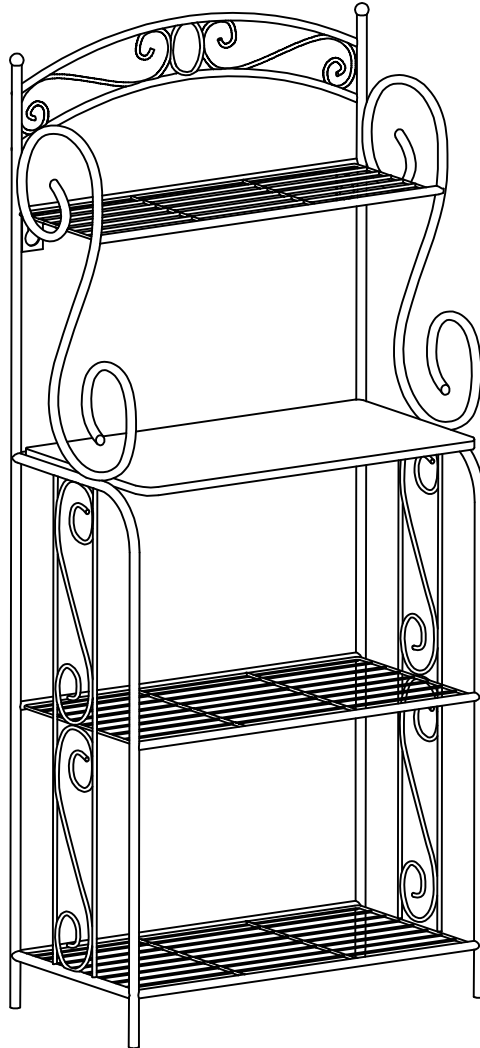


ASSEMBLY INSTRUCTIONS




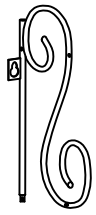





Style#K1704 Kitchen Rack






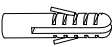


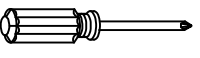
NOTE TO CUSTOMERS:

- For ease and speed of assembly we recommend that before you commence each step of the assembly that you identify all the parts required to complete that step.
- We recommend that where possible you allow sufficient space to assemble the item as close as possible to the place where it will be once assembled.
- For the protection of your furniture we recommend that the product is placed on protected surfaces during assembly to prevent any damage.
- During assembly do not over tighten, as this may damage the product.
- Please ensure you retain all the product packaging until the item completely assembled.
- Please periodically check all fittings and re-tighten as necessary.
- Never allow any liquid to remain on your furniture as absorption can cause the wood to warp or the finish to de-laminate.
- It is recommended that this item should be assembled by two adults.

Part List

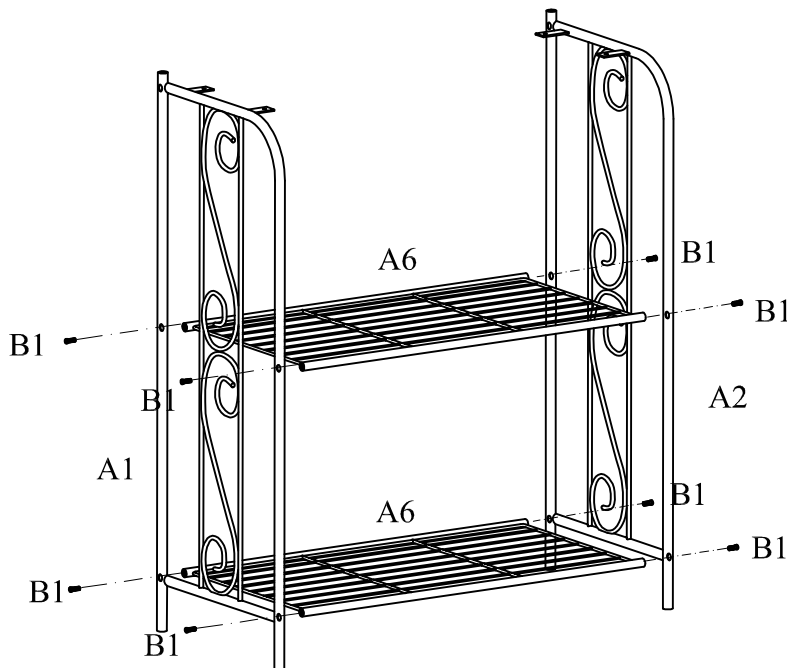
A1	Quantity of 1	A2	Quantity of 1	A3	Quantity of 1	A4	Quantity of 1	A5	Quantity of 1
									
Lower Left Side Frame		Lower Right Side Frame		Upper Left Side Frame		Upper Right Side Frame		Upper Back Apron	
A6	Quantity of 2	A7	Quantity of 1	A8	Quantity of 1	A9	Quantity of 1		
									
Lower Net Rack		Upper Net Rack		Middle Panel		Connect Bar			

Hardware List

B1	Quantity of 14	B2	Quantity of 4	B3	Quantity of 2	B4	Quantity of 2	B5	Quantity of 2		
											
Bolt		Screw		Screw		Anchor		Bolt		Allen Key	(NOT INCLUDED)

STEP 1

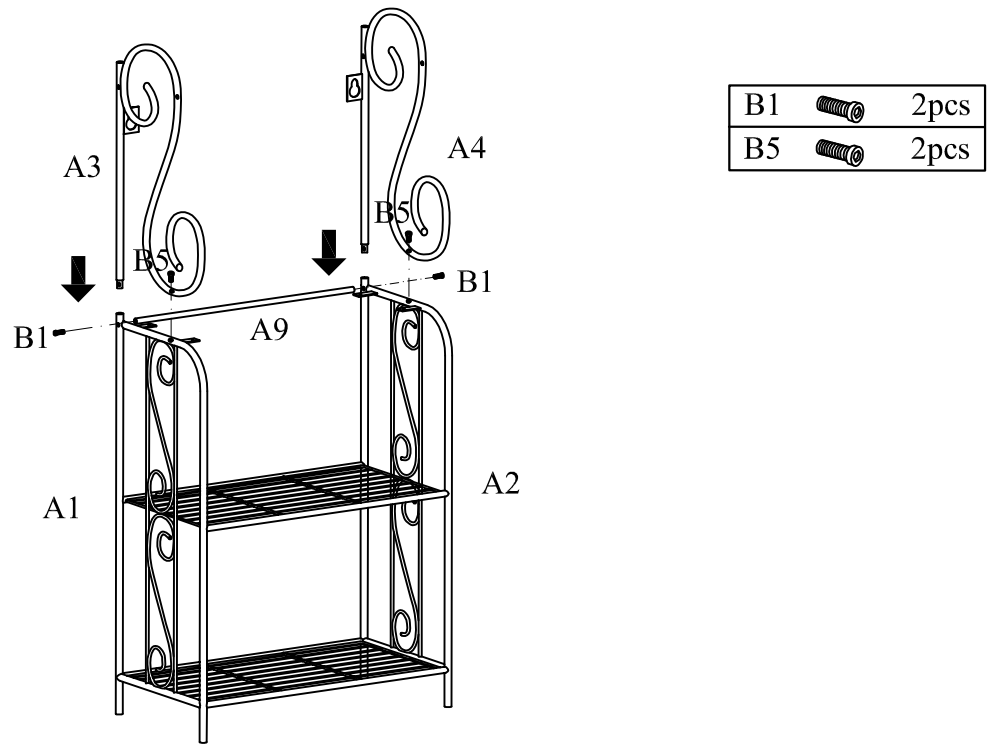
 8pcs



Assemble Lower Side Frames A1&A2 to Lower Net Racks A6 using Bolts B1.

Note: Please do not tighten Bolts B1 until Step 5.

STEP 2

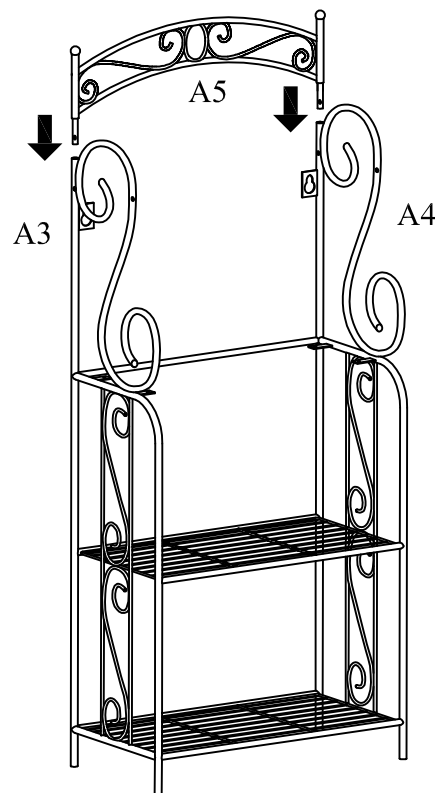


1).Insert Upper Side Frames A3&A4 to Lower Side Frames A1&A2 as shown above.

2).Then assemble Upper Side Frames A3&A4 and Connect Bar A9 to Lower Side Frames A1&A2 using Bolts B1 &B5.

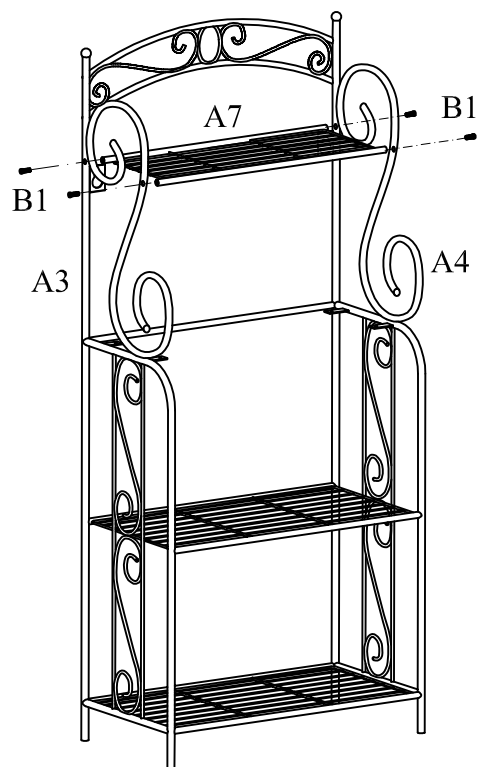
Note: Please do not tighten Bolts B1 until Step 5.

STEP 3



Insert Upper Back Apron A5 to Upper Side Frames A3&A4 as shown above.

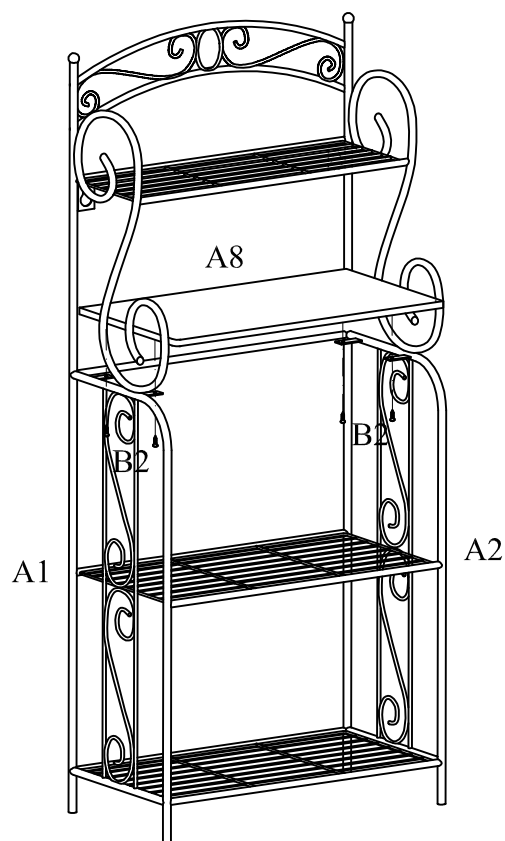
STEP 4




B1  4pcs

Assemble Upper Net Rack A7 to Upper Side Frames A3&A4 using Bolts B1.
Note: Please do not tighten Bolts B1 until Step 5.


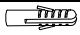
STEP 5

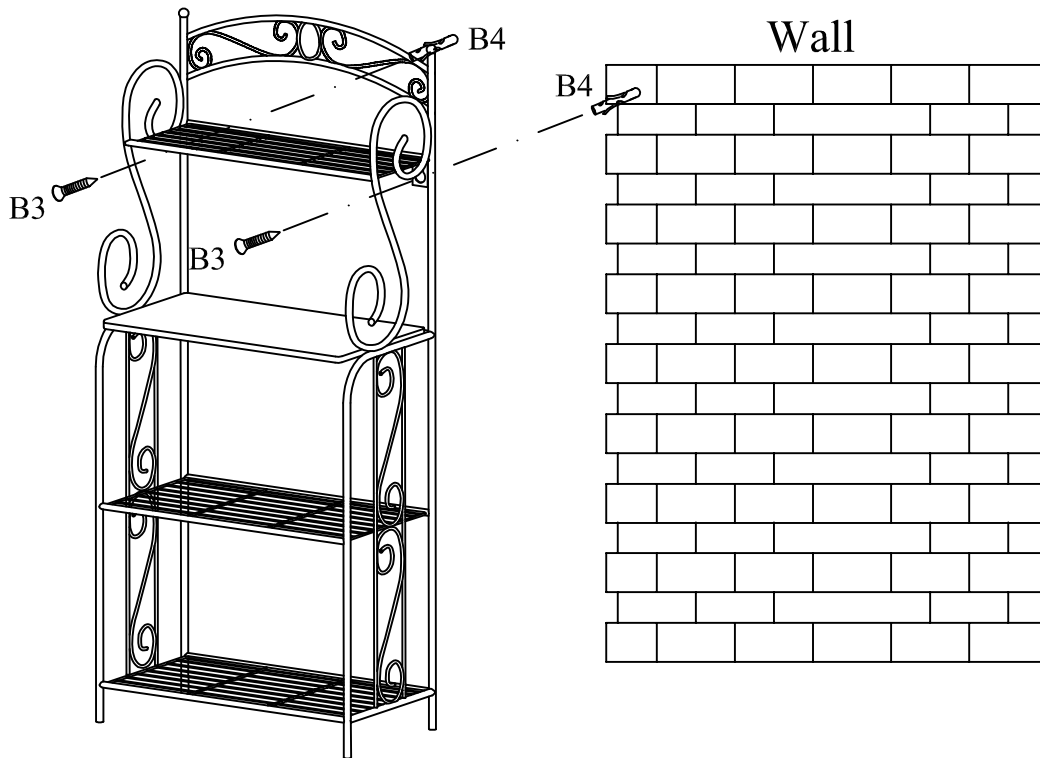


B2  4pcs

Assemble Middle Panel A8 to Lower Side Frames A1&A2 using Screws B2.
Note: Please tighten all bolts B1 at this point.

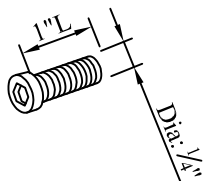
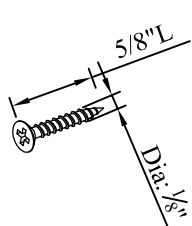
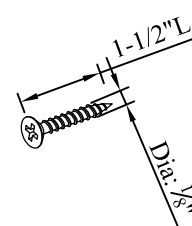
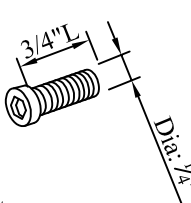
STEP 6

B3		2pcs
B4		2pcs



For your safety, please attach this unit to the wall by Screws B3 and Anchors B4.

APPENDIX: Dimension of Hardwares in this AI.

<p>B1.</p>  <p>Bolt</p>	<p>B2.</p>  <p>Screw</p>	<p>B3.</p>  <p>Screw</p>	<p>B5.</p>  <p>Bolt</p>
--	---	--	--