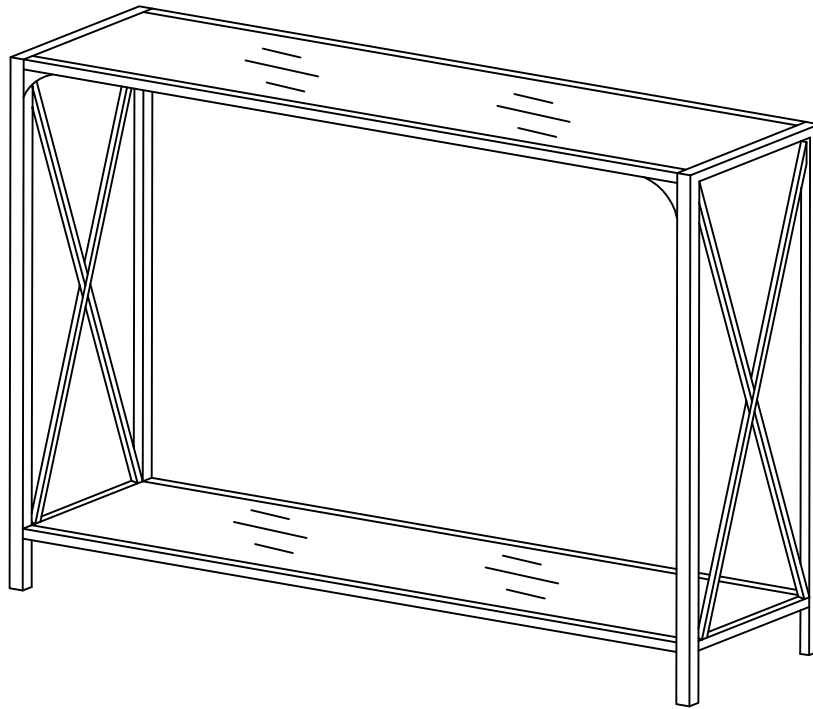


ASSEMBLY INSTRUCTIONS

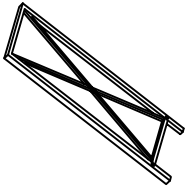



Style # C1502 Console Table



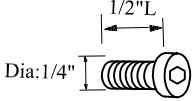
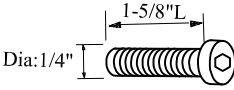


NOTE TO CUSTOMERS:

- For ease and speed of assembly we recommend that before you commence each step of the assembly that you identify all the parts required to complete that step.
- We recommend that where possible you allow sufficient space to assemble the item as close as possible to the place where it will be once assembled.
- For the protection of your furniture we recommend that the product is placed on protected surfaces during assembly to prevent any damage.
- During assembly do not over tighten, as this may damage the product.
- Please ensure you retain all the product packaging until the item completely assembled.
- Please periodically check all fittings and re-tighten as necessary.
- Never allow any liquids to remain on your furniture as absorption can cause the wood to warp or the finish to de-laminate.
- It is recommended that this item should be assembled by two adults.

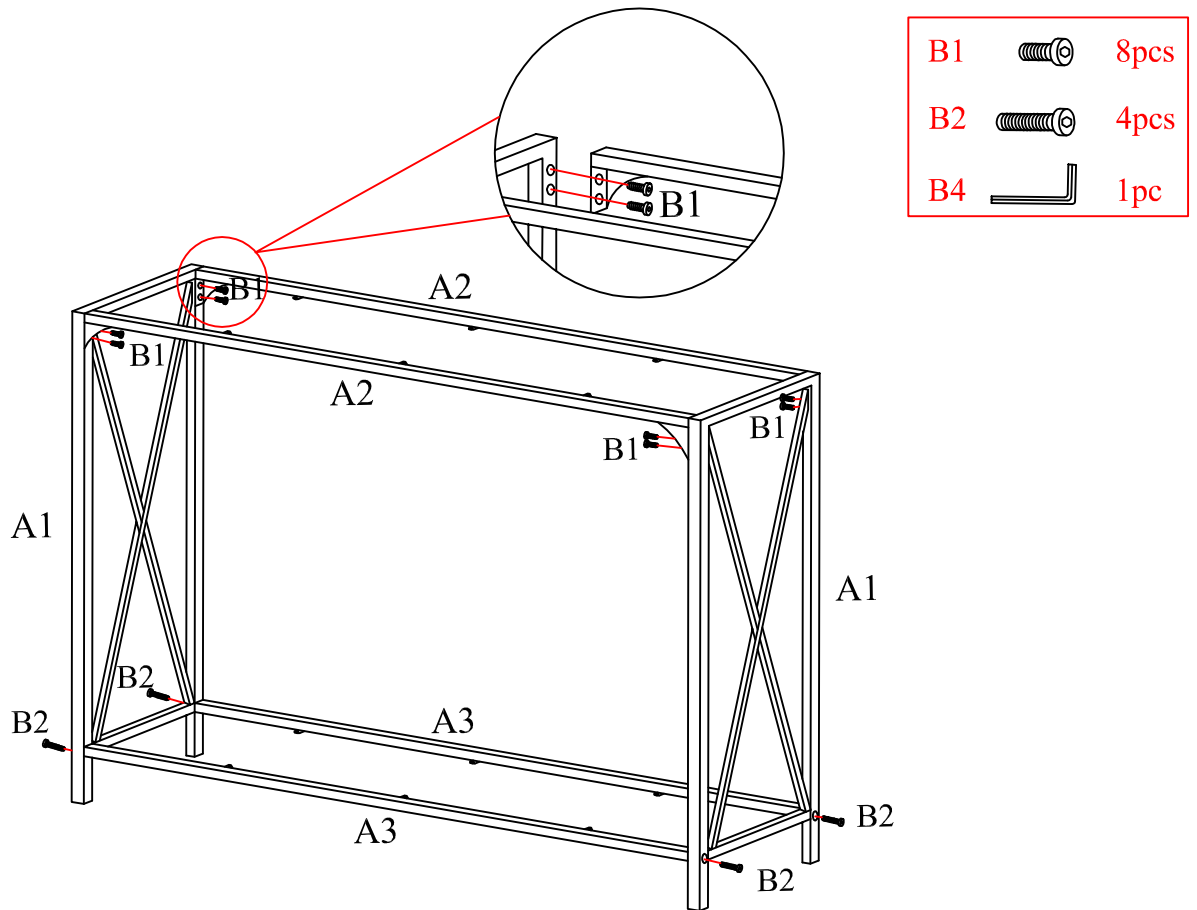
Part List

A1		Side Frame	2PCS
A2		Top Connect Bar	2PCS
A3		Bottom Connect Bar	2PCS
A4		Glass	2PCS

Hardware List

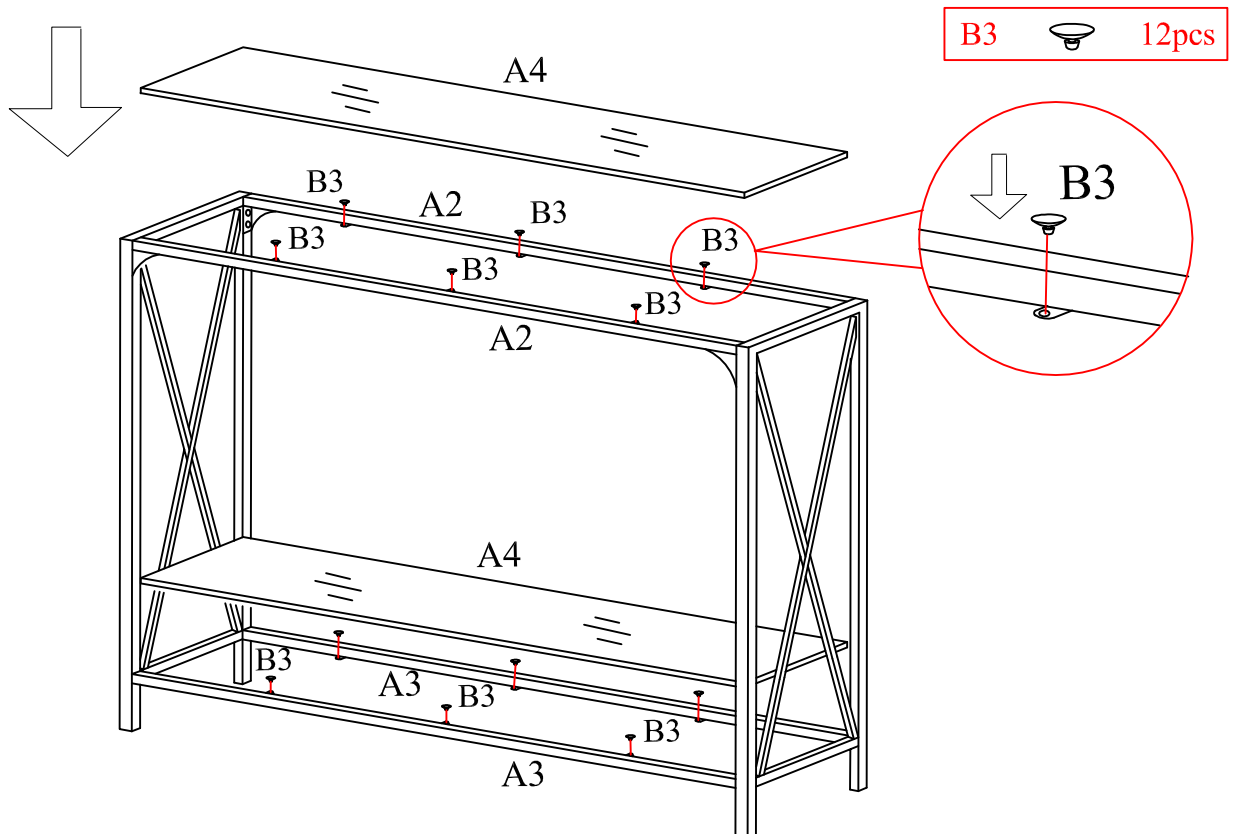
B1		Bolt	8PCS
B2		Bolt	4PCS
B3		Suction Cup	12PCS
B4		Allen Wrench	1PC

STEP 1



Assemble Connect Bars A2&A3 to Side Frames A1 using Bolts B1&B2.
Noted:Please do not tighten Bolts B1&B2 until Step 2.

STEP 2



Insert Suction Cups B3 to Connect Bars A2&A3,then put Glasses A4 onto Suction Cups B3 as shown above.

Noted:Place the table on the floor and check if it is stable before tightening all bolts.