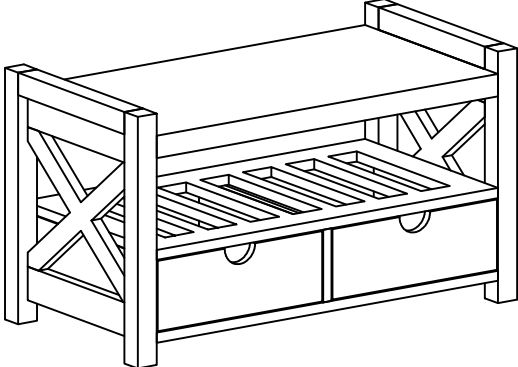

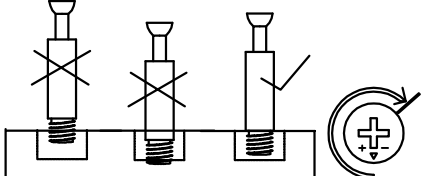




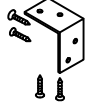
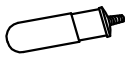
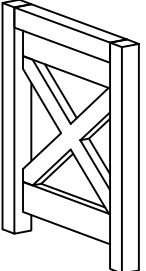
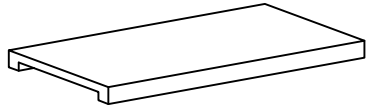
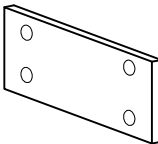
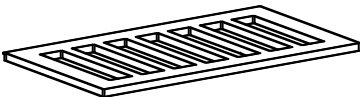



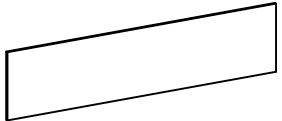
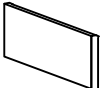

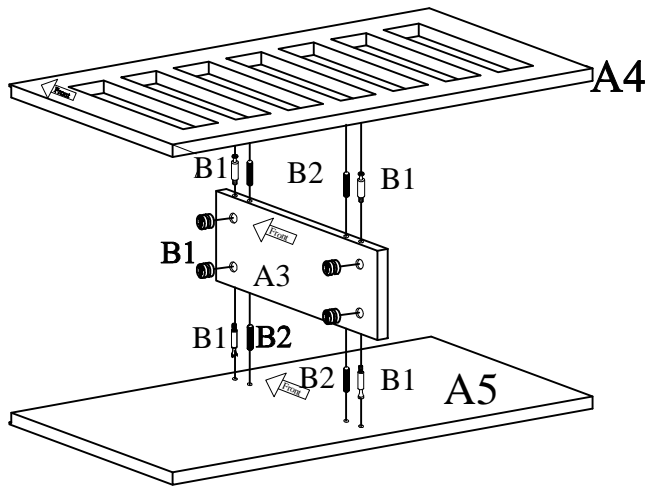


Assembly Instructions	Tools Required	Hardware Provided
<p style="text-align: center;">Style # Y11-WH & Y11-CH Storage Bench</p>  <p>It is recommended that this item should be assembled by two adults.</p>	 <p style="text-align: center;">Phillips screwdriver</p>  <p>Note: Please don't over tighten the cam screws. Assure the cam screw fits in the plastic threaded insert. Otherwise, the cam nut might not be able to catch the cam screws.</p>	 B1 16sets camlock  B2 12pcs wood dowel  B3 8pcs screw  B4 16pcs screw  B5 4sets metal brackets  B6 1pc glue <p>Apply a little glue B6 into the wood dowel holes when inserting wood dowels.</p>

Wooden Parts

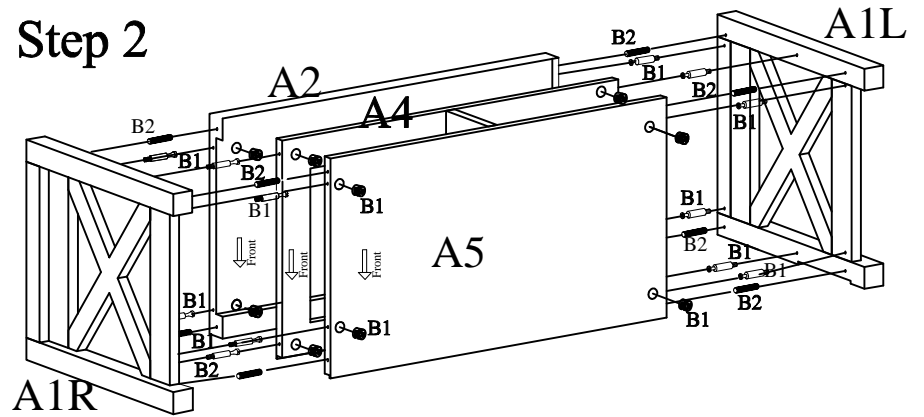
 <p>A1(L&R) 2PCS Side frame</p>	 <p>A2 1PC Top panel</p>  <p>A3 1PC Cross panel</p>	 <p>A4 1PC Middle shelf</p>  <p>A7 2PCS Drawer front panel</p>	 <p>A5 1PC Bottom panel</p>  <p>A8 4pcs Drawer side panel</p>	 <p>A6 1PC Back panel</p>  <p>A9 2PCS Drawer back panel</p>	 <p>A10 2PCS Drawer bottom panel</p>
---	---	--	--	--	--

Step 1



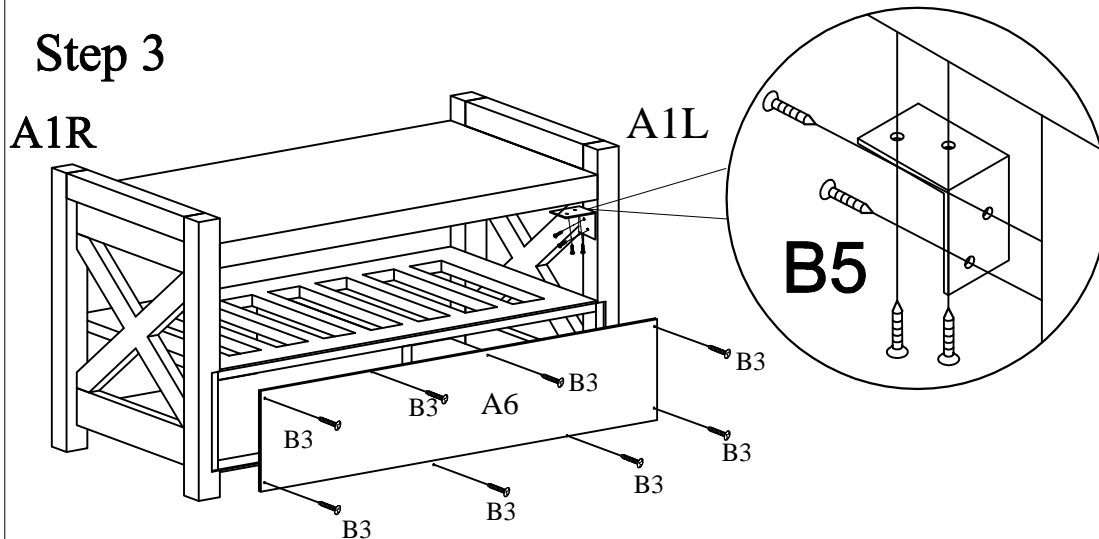
Assemble the cross panel A3 to bottom panel A5 using camlocks B1 & wood dowels B2, then attach the middle shelf A4 to the cross panel A3 with camlocks B1 & wood dowels B2.

Step 2



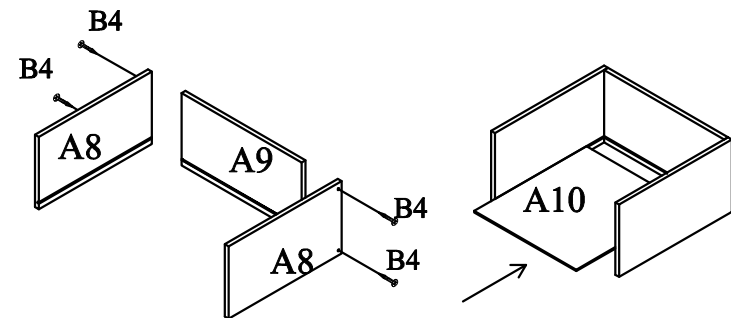
Assemble the bottom panel A5 & middle shelf A4 & top panel A2 to the side frame A1L using camlocks B1 & wood dowels B2, then attach the side frame A1R with camlock B1 & wood dowels B2.

Step 3

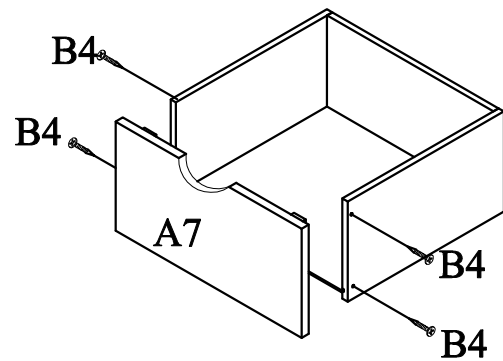


Assemble the back panel A6 to side frames A1(L&R) & middle shelf A4 & bottom panel A5 using screws B3. Then use the metal brackets B5 to fasten the side frame A1(L&R) to top panel A2 under neath with screws as above shown.

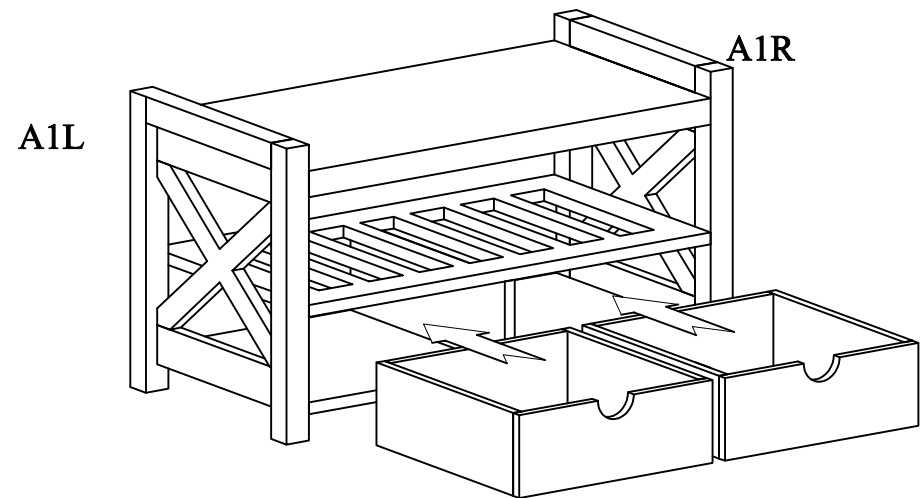
Step 4



Step 5



Step 6



Put the drawers onto bottom shelf A5.

Maximum load 200 LBS.