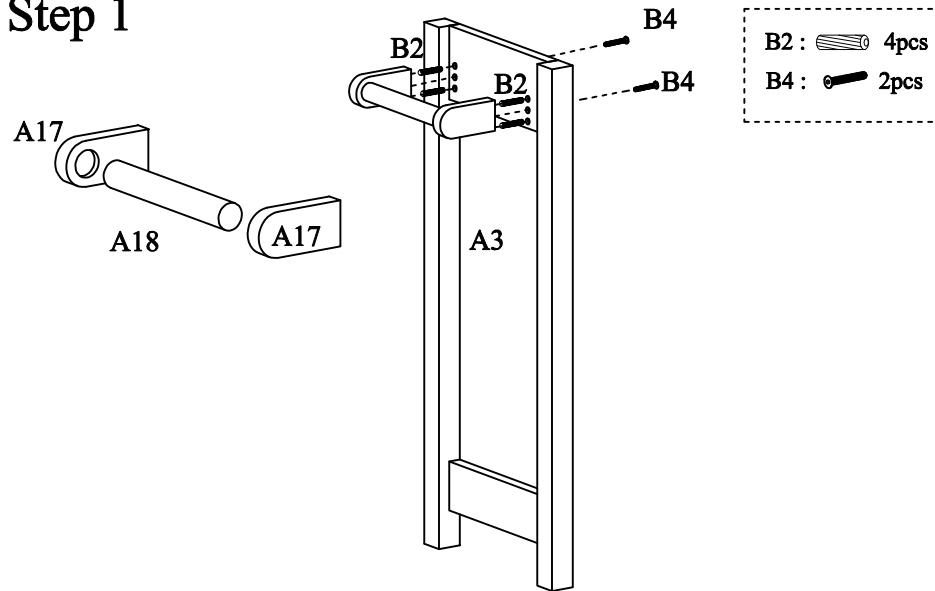
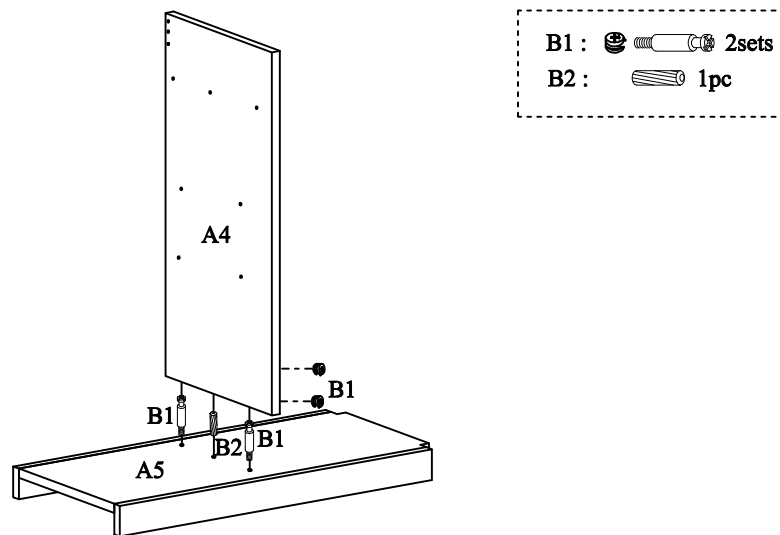


Step 1



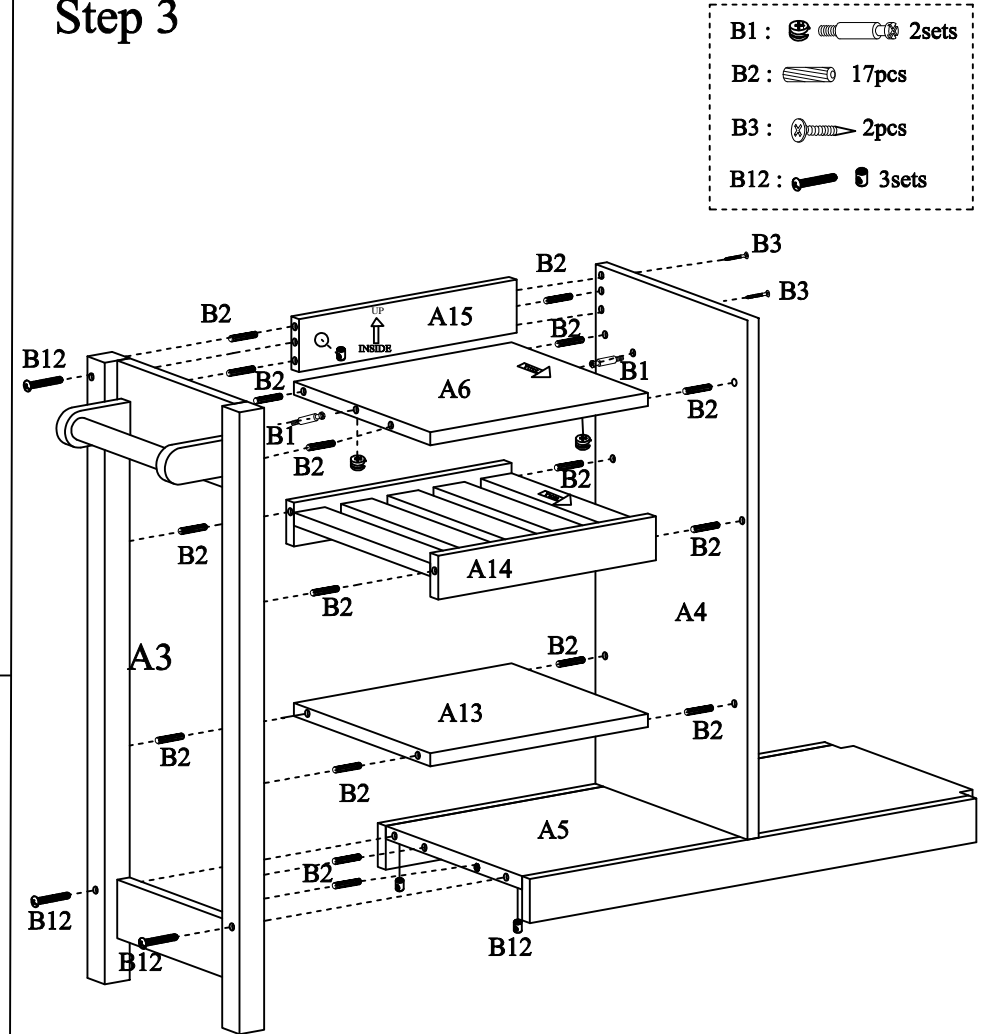
Attach both ears A17 to the connector bar A18 as shown above, then assemble the towel rail to the left side panel A3 using bolts B4 and wood dowels B2.

Step 2



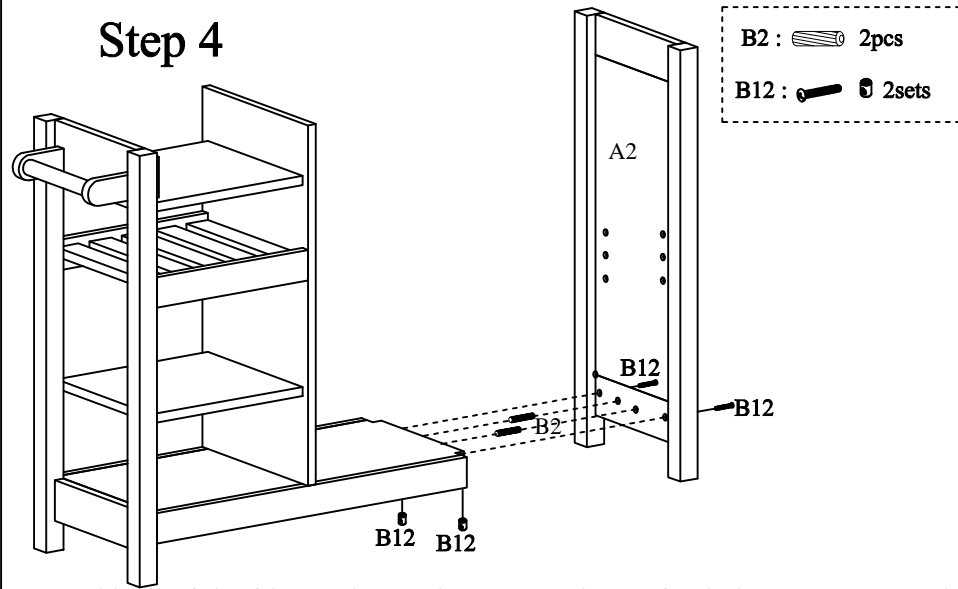
Assemble the divider A4 to bottom panel A5 using wood dowels B2 and camlocks B1.

Step 3



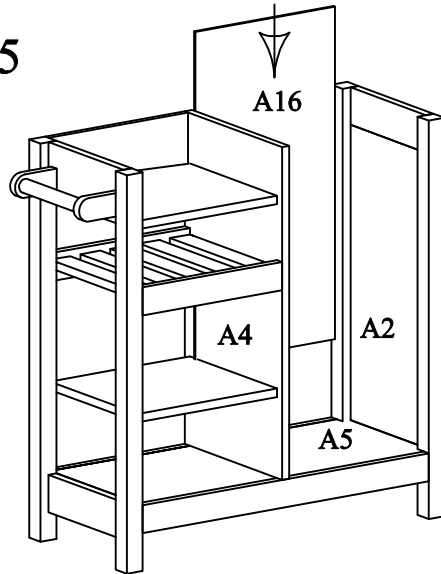
- 1). Assemble shelf A6 to divider A4 using wood dowels B2 and camlock B1, then assemble the small back panel A15 to divider A4 with screws B3 & wood dowels B2.
- 2). Attach the slat shelf A14 and shelf A13 to divider A4 using wood dowels B2.
- 3). Assemble the left side panel A3 to the small back panel A15, shelf A6, slat shelf A14, shelf A13 and bottom panel A5 using wood dowels B2, bolts & nuts B12 and camlock B1.

Step 4



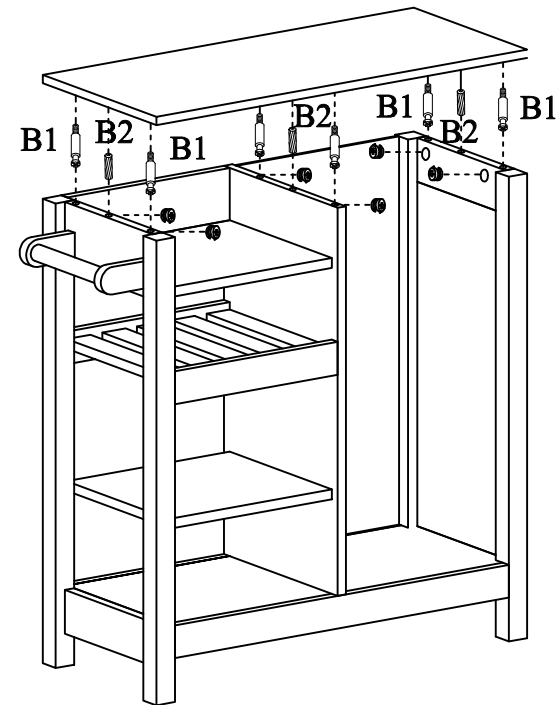
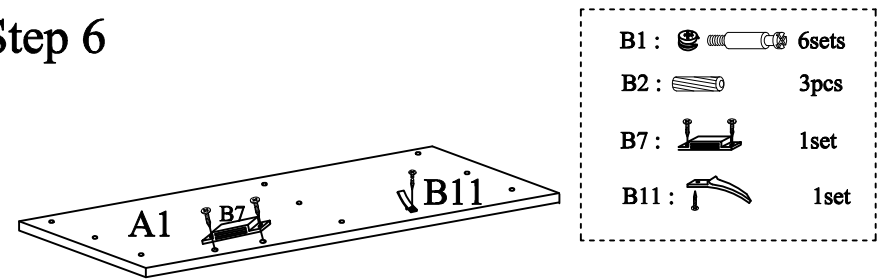
Assemble the right side panel A2 to bottom panel A5 using bolts & nuts B12 and wood dowels B2.

Step 5



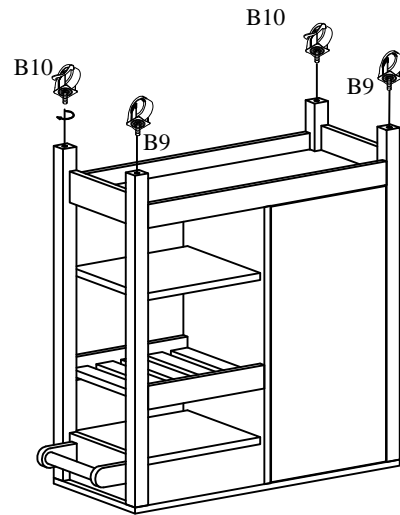
Insert the big back panel A16 into the grooves of right side panel A2 and divider A4 with bottom panel A5.



Step 6



- 1). Assemble the magnet B7 and stopper B11 onto the bottom of top panel A1 using included screws.
- 2). Assemble the top panel A1 to the left side panel A3, right side panel A2 and divider A4 using wood dowels B2 & camlocks B1.

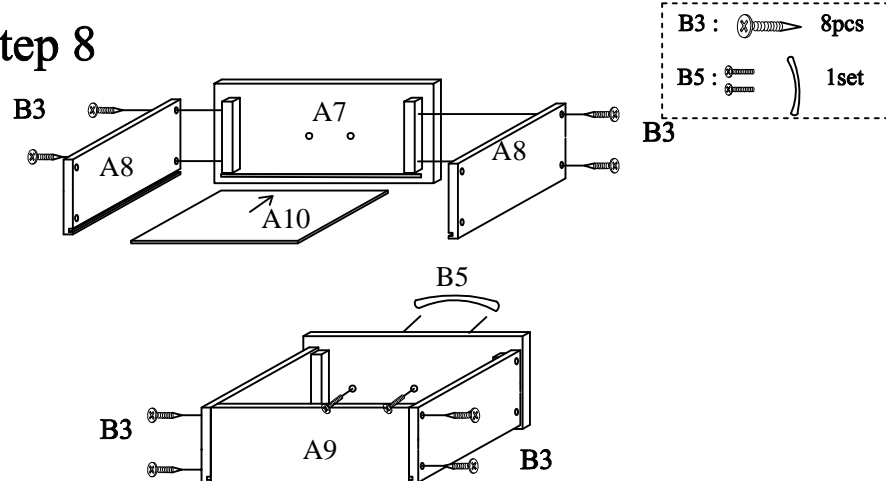
Step 7




B9 :  2pcs
 B10 :  2pcs

Turn the locking & unlocking castors B9 & B10 into bottom of legs.

Step 8






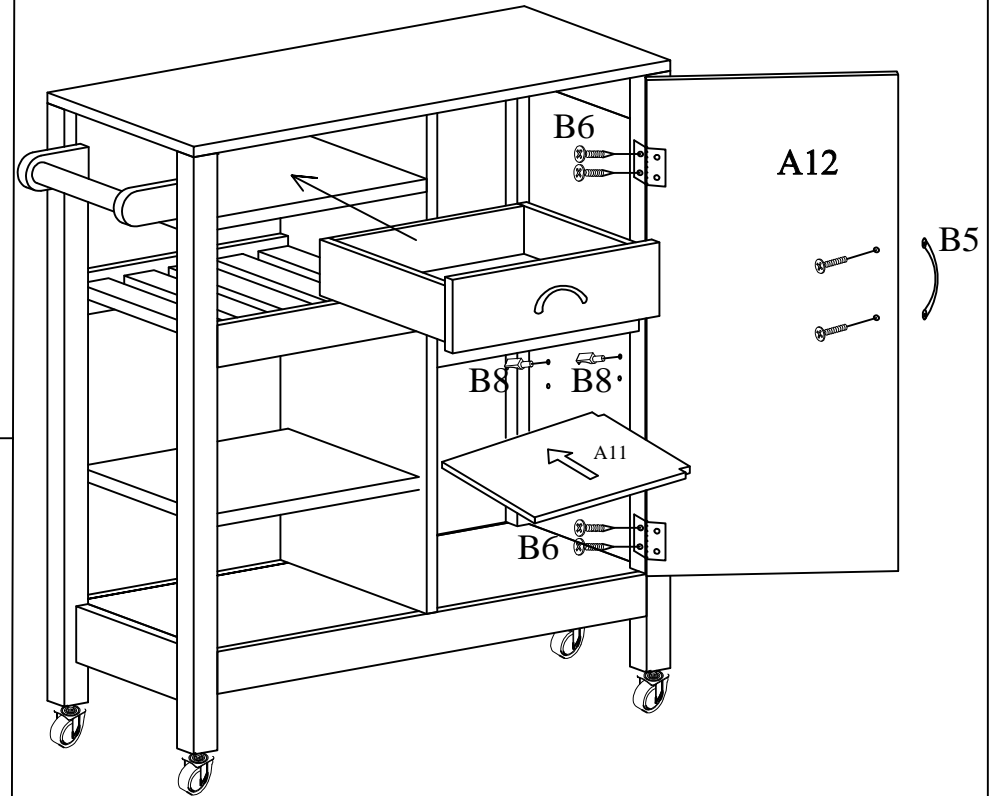
B3 :  8pcs

B5 :  1set

- 1). Assemble the drawer side panels A8 to the drawer front panel A7 using screws B3.
- 2). Insert the bottom panel A10 .
- 3). Assemble the drawer back panel A9 to the side panels A8 with screws B3.
- 4). Assemble the drawer handle B5 to drawer front panel A7 with included bolts.

Step 9

B5 :  1set
 B6 :  4pcs
 B8 :  4pcs



- 1). Attach the handle B5 to the door A12 using included screws. Assemble the door A12 to the right side panel A2 with screws B6.
- 2). Insert the shelf supports B8 into the holes of right side panel A2 and divider A4 ,then put the adjustable shelf A11 onto the shelf supports B8.
- 3). Put the drawer inside the left side upper cube.