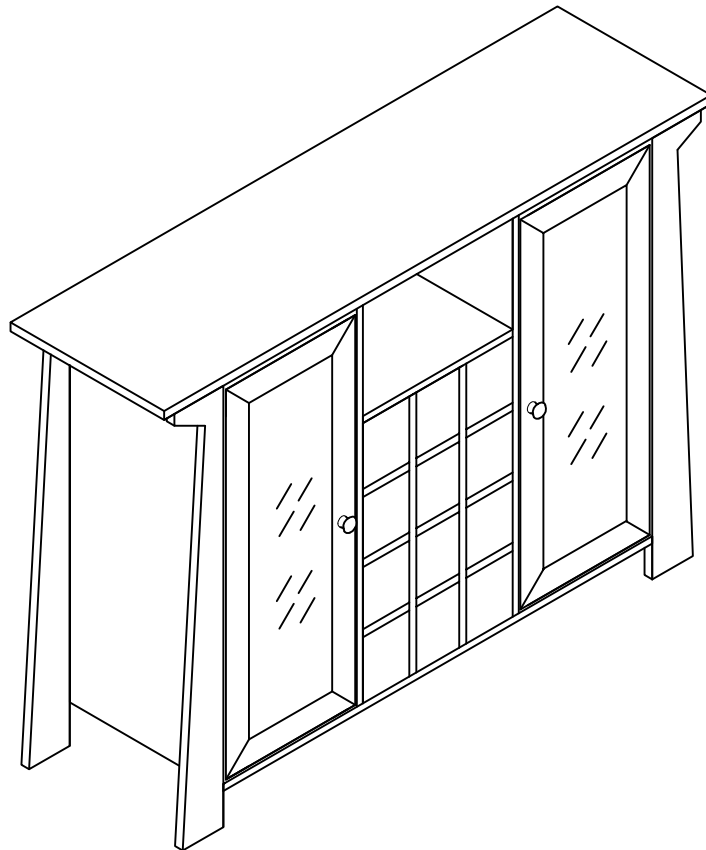


# ASSEMBLY INSTRUCTIONS

Style # WR1352 Wine Rack



## NOTE TO CUSTOMERS:

- For ease and speed of assembly we recommend that before you commence each step of the assembly that you identify all the parts required to complete that step.
- We recommend that where possible you allow sufficient space to assemble the item as close as possible to the place where it will be once assembled.
- For the protection of your furniture we recommend that the product is placed on protected surfaces during assembly to prevent any damage.
- During assembly do not over tighten, as this may damage the product.
- Please ensure you retain all the product packaging until the item completely assembled.
- Please periodically check all fittings and re-tighten as necessary.
- Please never allow any liquids to remain on your furniture as absorption can cause the wood to warp or finish to de-laminate.
- It is recommended that this item should be assembled by two adults.

To insert a cam lock: (Please read below instructions before assembling)

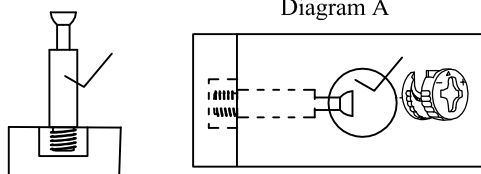


Diagram A

1. Insert cam screw into hole as shown in diagram A .

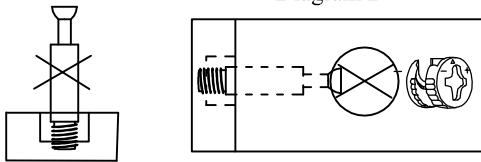


Diagram B

Make sure not to insert the cam screw:  
Too deep as shown in figure B as this will cause the  
cam screw to be misaligned and unable to  
interlock properly.

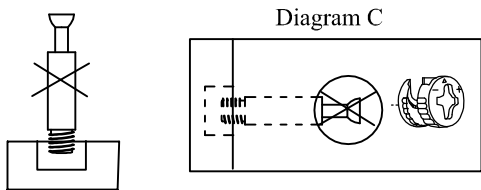
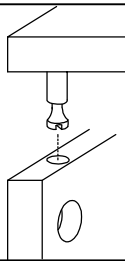
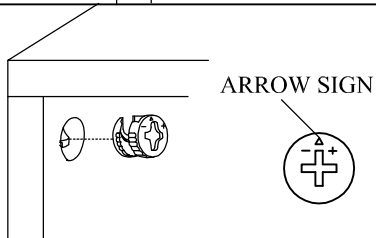


Diagram C

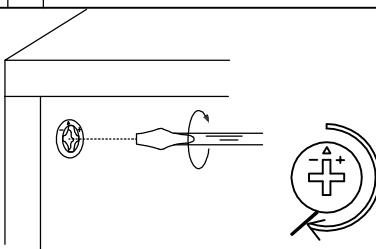
Also avoid inserting the cam screw too close to the  
surface of the hole as shown in figure C, as this will  
cause the cam lock to be too loose, and not interlock  
properly.



2. Connect the panels together.



3. When inserting the cam lock make sure the arrow  
of the cam lock faces the cam screw.



4. To tighten the cam lock turn the cam lock clockwise  
90-180 degree or until the arrow is facing opposite  
the place cam lock was inserted.

**NOTE: DO NOT USE AN AUTOMATIC  
SCREWDRIVER TO TIGHTEN CAM LOCKS.**

**Note:**

- Read these instructions carefully before assembling.
- Tools required : Phillips screwdriver, flat screwdriver.
- Find a clean, smooth area on which to work , such as a carpet, in order to avoid scratching the wood surfaces.
- Wait to dispose of the packing material until assembly is complete and all parts and hardware are accounted for.
- Two or more people might be required for assembly.



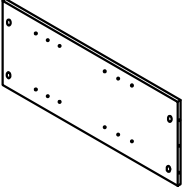
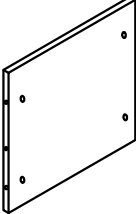
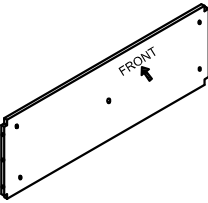
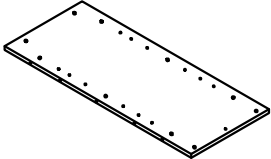

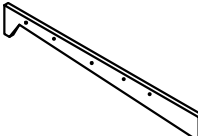
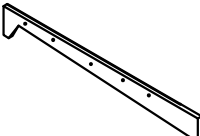
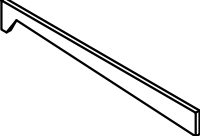

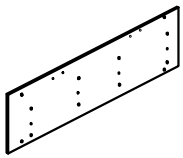
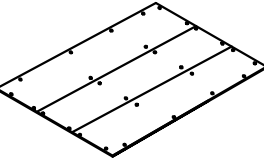
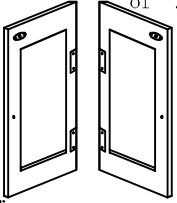

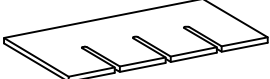

# WARNING:

**Serious or fatal crushing injuries can occur from furniture tip-over.  
To help prevent tip-over:**

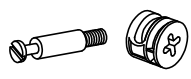


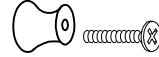

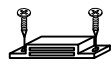

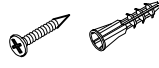
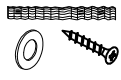
- Place heaviest items in the lowest drawers
- Unless specifically designed to accommodate, do not set televisions or other heavy objects on top of this product.
- Never allow children to climb or hang on drawer, doors, or shelves.
- Never open more than one drawer at a time. (OR)
- Do not defeat or remove the drawer interlock system.

**Use of tip-over restraints may only reduce, but not eliminate the risk of tip-over**

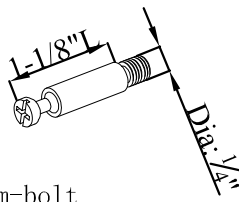

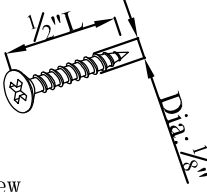
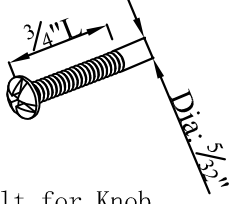
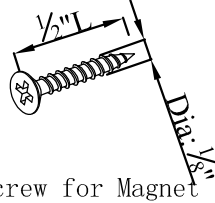
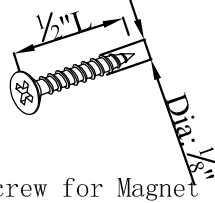
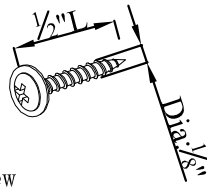
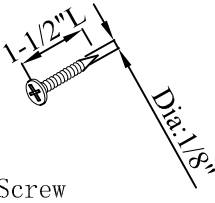
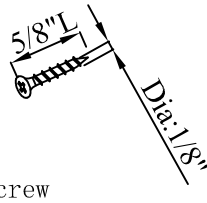
## Part List

A1 (L&R). Quantity of 2  Divider	A2. Quantity of 1  Middle Shelf	A3. Quantity of 1  Bottom Panel	A4. Quantity of 2  Side Panel
A5. Quantity of 1  Leg	A6. Quantity of 1  Leg	A7. Quantity of 1  Leg	A8. Quantity of 1  Leg
A9. Quantity of 1  Support Leg	A10. Quantity of 1  Top Panel	A11. Quantity of 1  Back Panel	A12 (L&R). Quantity of 2  Door
A13. Quantity of 4  Adjustable Shelf	A14. Quantity of 2  Large Cross Panel	A15. Quantity of 3  Small Cross Panel	


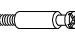

# Hardware List

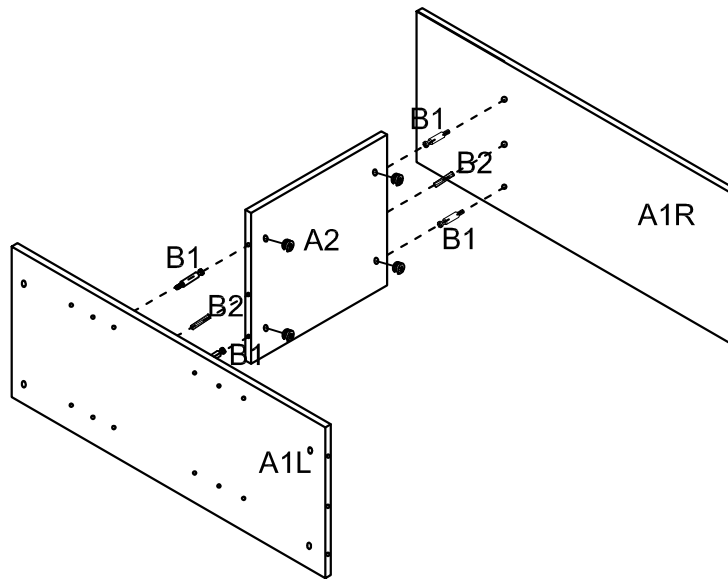
B1 Quantity of 32  Camlock	B2 Quantity of 22  Wood Dowel	B3 Quantity of 8  Screw	B4 Quantity of 2  Knob with Bolt
B5 Quantity of 16  Shelf Support	B6 Quantity of 2  Magnet with Screw	B7 Quantity of 28  Screw	B8 Quantity of 1  Wall Anchor with Screw
B9 Quantity of 1  Anti-tip Kit			

## APPENDIX: Dimension of Hardwares in this AI.

B1.  Cam-bolt	B2.  Wood Dowel	B3.  Screw
B4.  Bolt for Knob	B5.  Screw for Magnet	B6.  Screw for Magnet
B7.  Screw	B8.  Screw	B9.  Screw




# Step 1

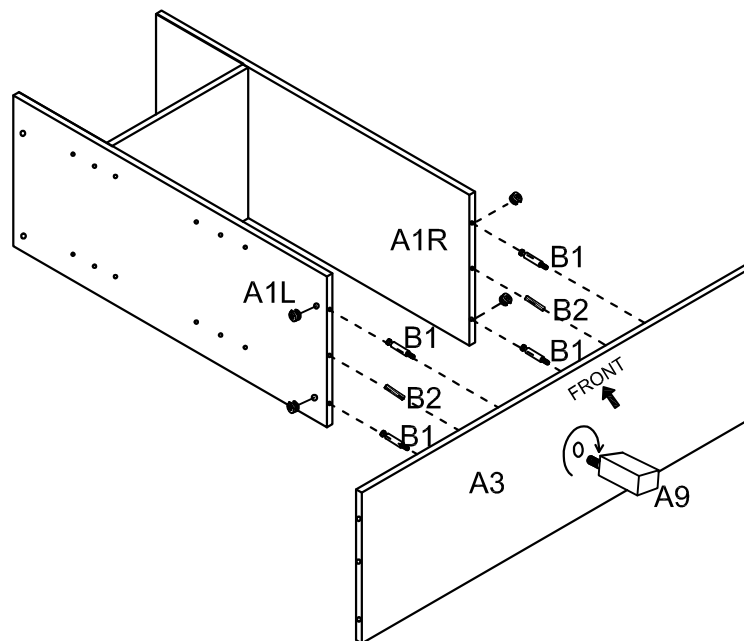
B1:			4SETS
B2:			2PCS



Assemble Dividers A1(R&L) to Middle Shelf A2 using Camlocks B1 and Wood Dowels B2.



# Step 2

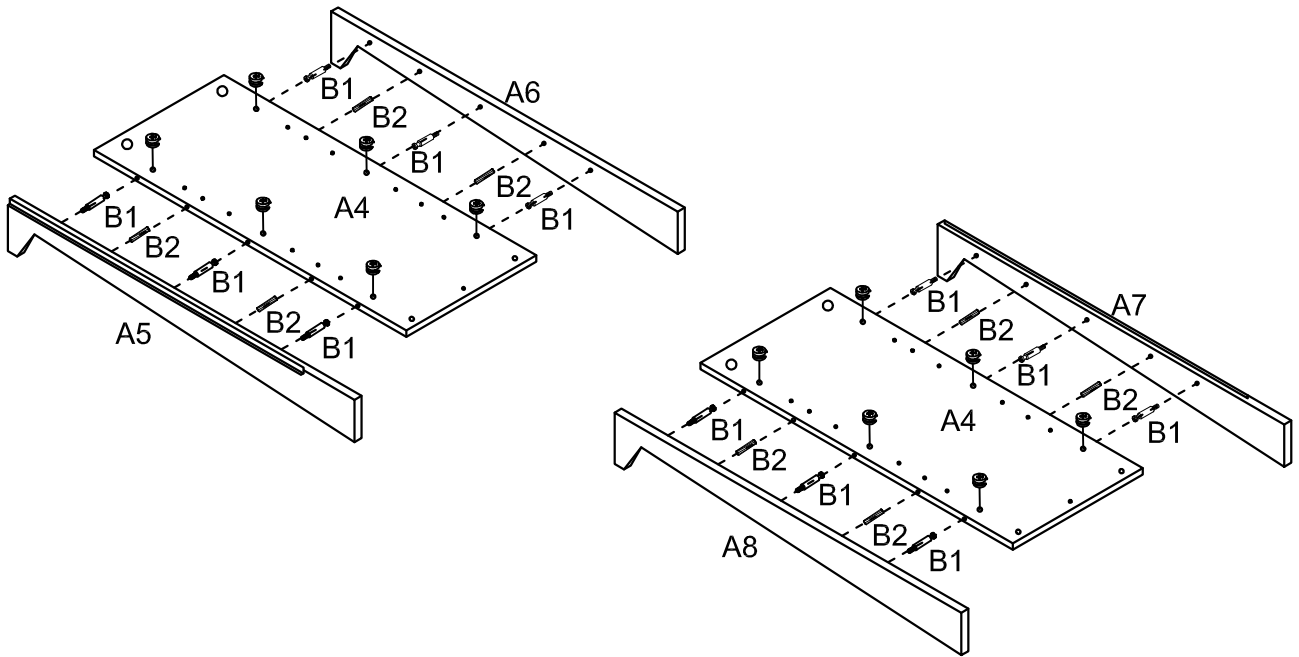
B1:			4SETS
B2:			2PCS



1. Assemble Bottom Panel A3 to Dividers A1(L&R) using Camlocks B1 and Wood Dowels B2.
2. Attach Support Leg A9 to the bottom of Bottom Panel A3.



# Step 3

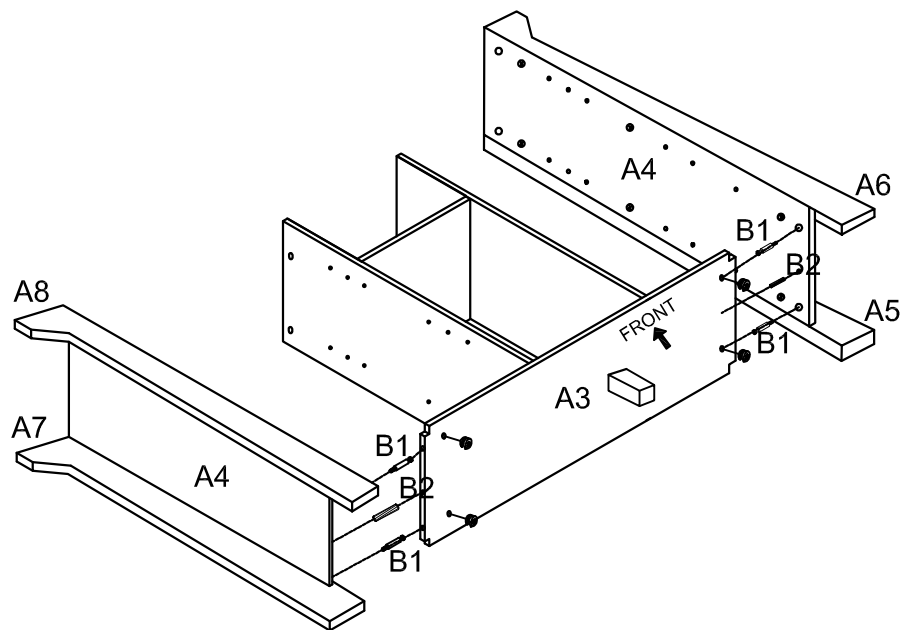
B1:		12SETS
B2:		8PCS



1. Assemble A5 and A6 to Side Panel A4 using Camlocks B1 and Wood Dowels B2.
2. Assemble A7 and A8 to Side Panel A4 using Camlocks B1 and Wood Dowels B2.

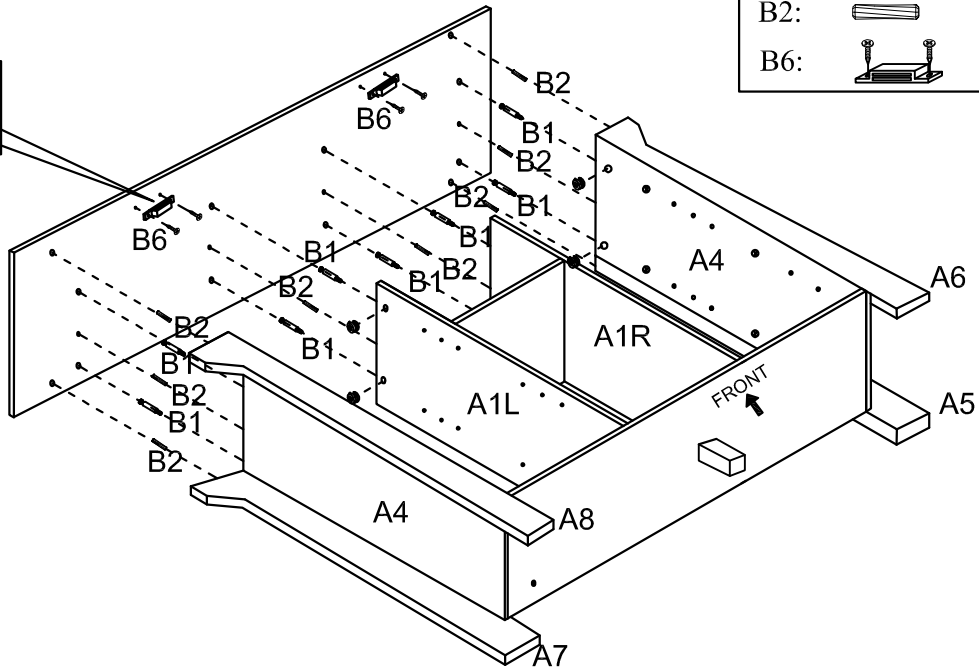
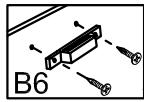
# Step 4

B1:		4SETS
B2:		2PCS



Assemble Side Panels A4 to Bottom Panel A3 using Camlocks B1 and Wood Dowels B2.

# Step 5

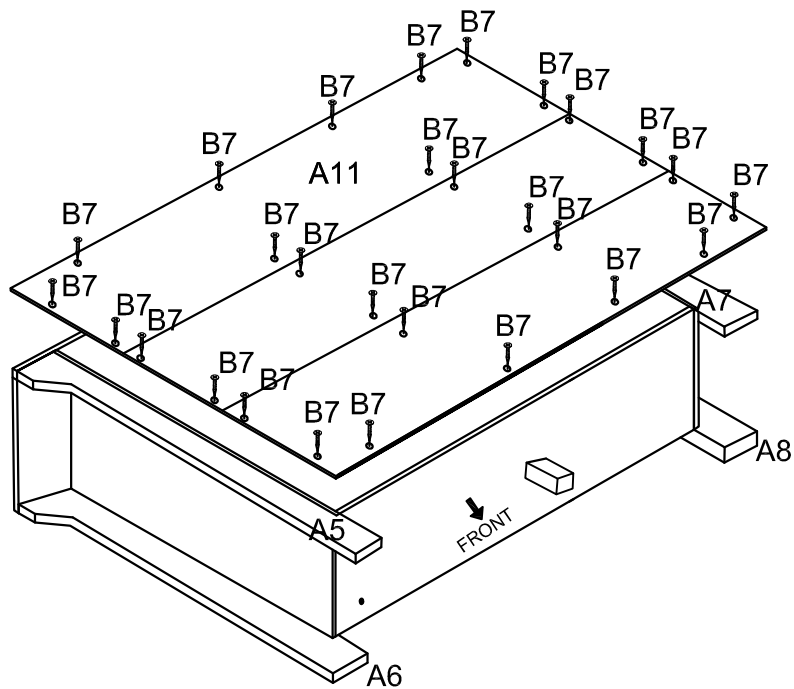


B1:		8SETS
B2:		8PCS
B6:		2SETS

1. Attach Magnets B6 to the bottom of Top Panel A10 using included Screws B6.
2. Assemble Top Panel A10 to Side Panels A4, Dividers A1(L&R) and Legs A5,A6,A7,A8 using Camlocks B1 and Wood Dowels B2.




# Step 6

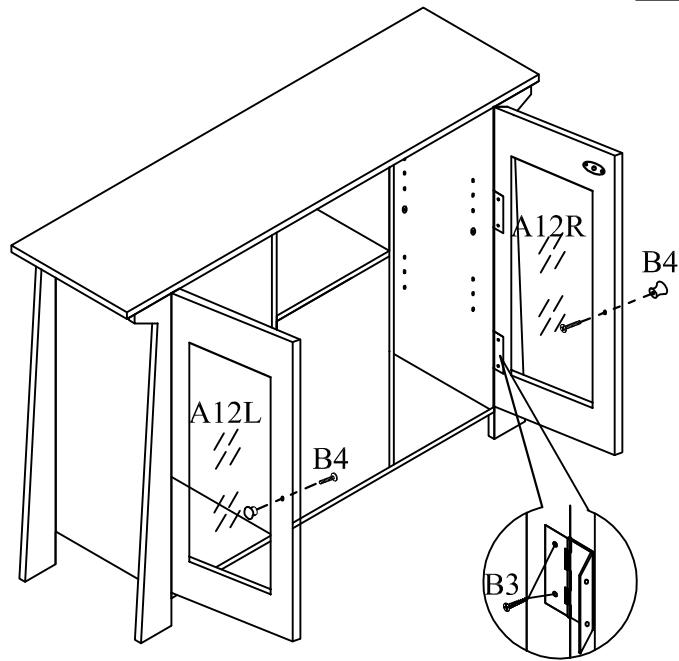
B7:		28PCS
-----	--	-------



Attach Back Panel A11 to the back of this wine rack using Screws B 7.

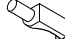
# Step 7

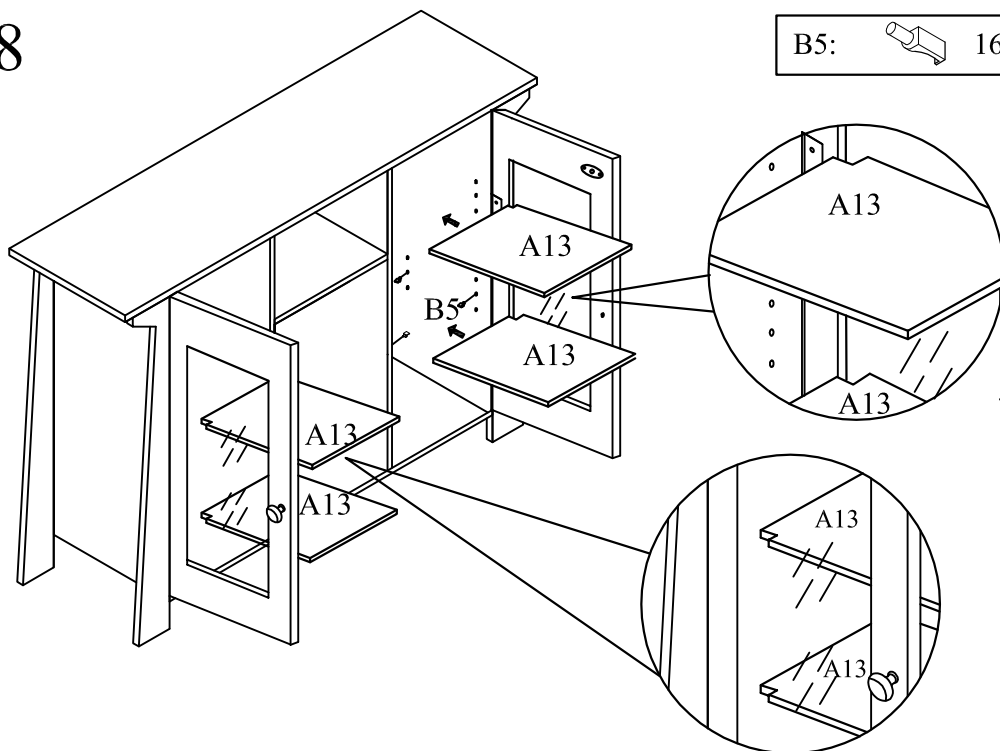
B4:   2SETS  
B3:  8PCS



1. Assemble Doors A12(L&R) to Legs A8 and A6 using Screws B3 as above drawing shown.
2. Attach Knobs B4 to Door A12(L&R) using included Bolts B4.

# Step 8

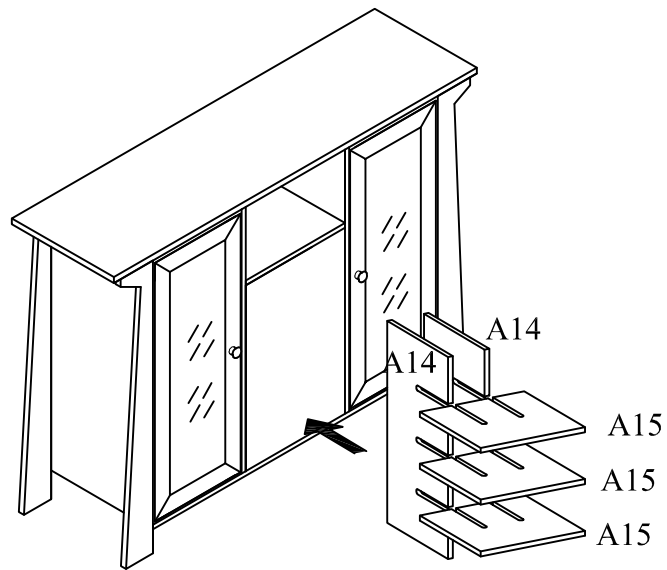
B5:  16PCS



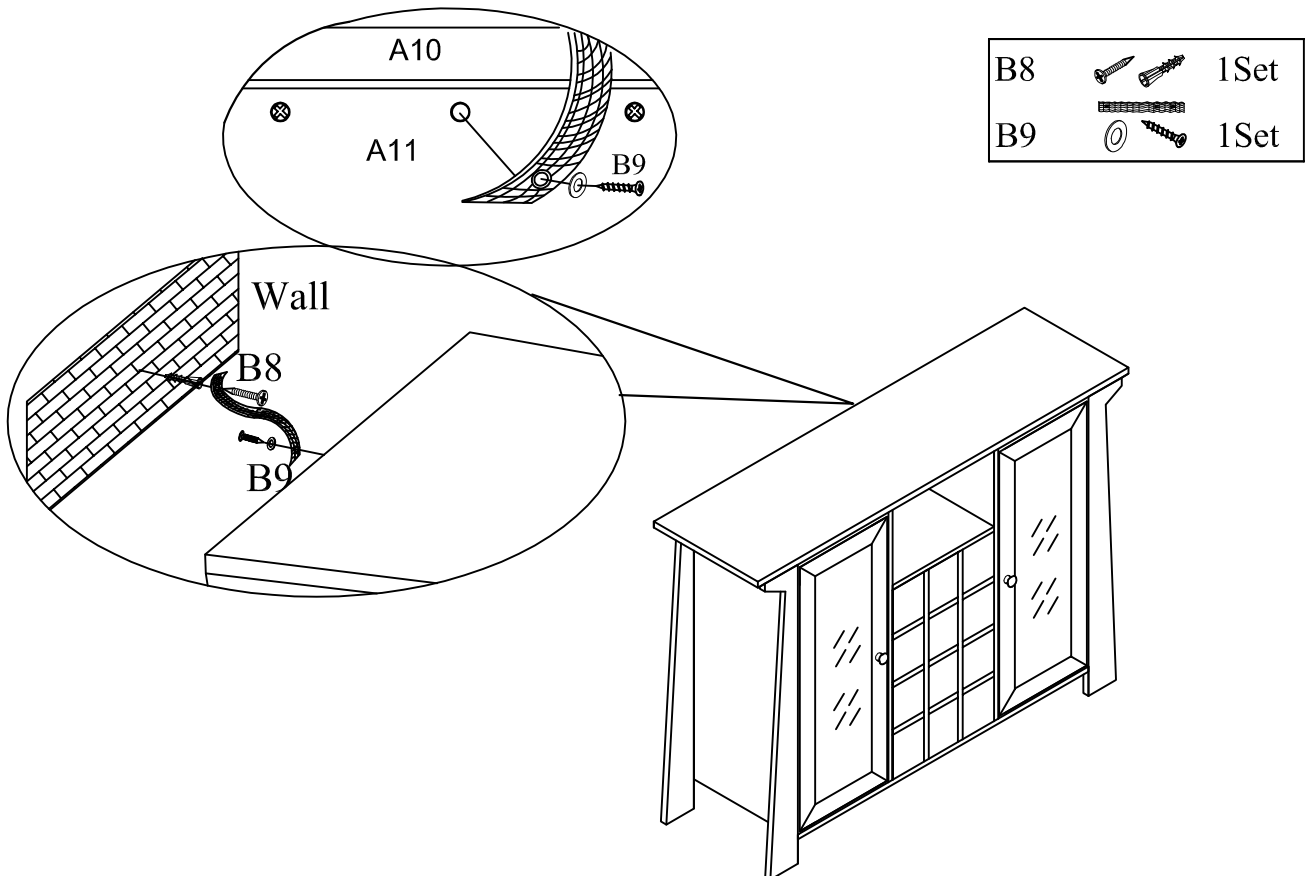
1. Insert Shelf Support B5 into the holes on Side Panels A4 and Dividers A1(L&R).
2. Place Shelves A13 on the top Shelf Support B5.



# Step 9



Attach Small Cross Panels A15 to Large Cross Panels A14 as above drawing shown, then insert it into the open space.



For your safety, please attach this unit to the wall by Anti-tip kit B8 and Wall Anchor with Screw B9