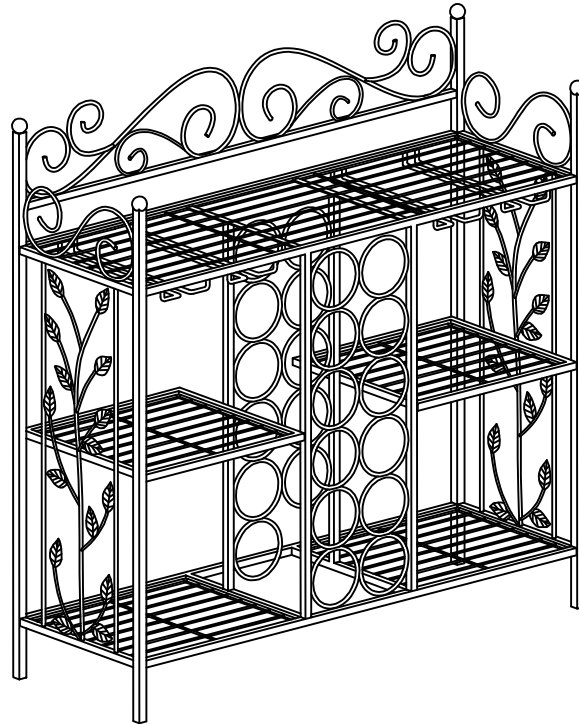


# ASSEMBLY INSTRUCTIONS



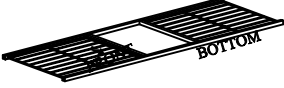



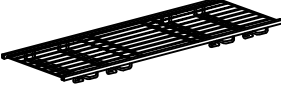

Style # WR1351 Wine Rack



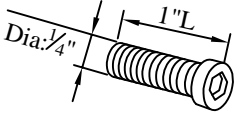

## NOTE TO CUSTOMERS:

- For ease and speed of assembly we recommend that before you commence each step of the assembly that you identify all the parts required to complete that step.
- We recommend that where possible you allow sufficient space to assemble the item as close as possible to the place where it will be once assembled.
- For the protection of your furniture we recommend that the product is placed on protected surfaces during assembly to prevent any damage.
- During assembly do not over tighten, as this may damage the product.
- Please ensure you retain all the product packaging until the item completely assembled.
- Please periodically check all fittings and re-tighten as necessary.
- Please never allow any liquids to remain on your furniture as absorption can cause the wood to warp or finish to de-laminate.
- It is recommended that this item should be assembled by two adults.

## Part List

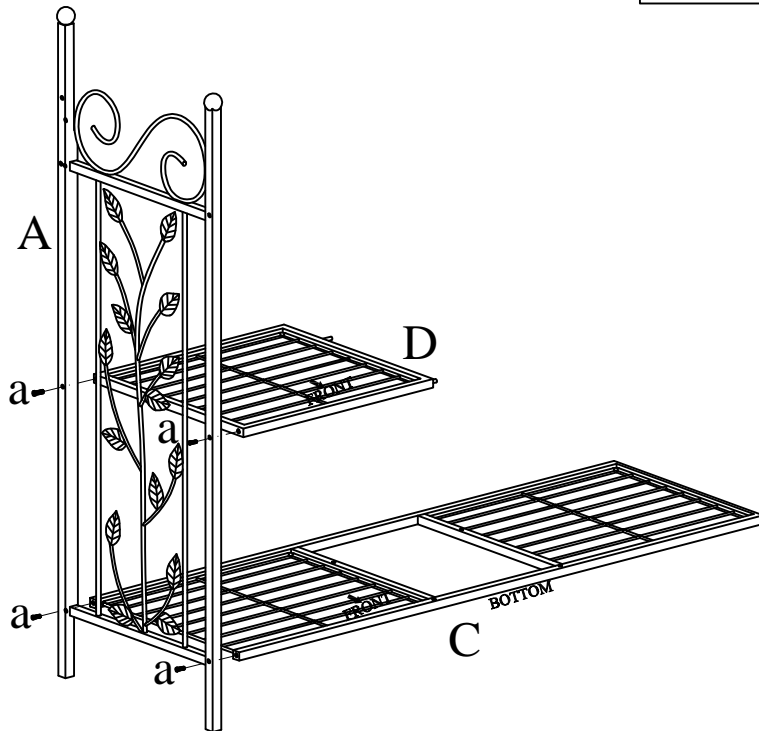
<p>A</p>  <p>Left Side Frame 1PC</p>	<p>B</p>  <p>Right Side Frame 1PC</p>	<p>C</p>  <p>Bottom Shelf 1PC</p>	<p>D</p>  <p>Left Center Shelf</p>
<p>E</p>  <p>Right Center Shelf 1PC</p>	<p>F</p>  <p>Wine Rack 2PCS</p>	<p>G</p>  <p>Top Shelf 1PC</p>	<p>H</p>  <p>Top Frame 1PC</p>

## Hardware List

 <p>a: Bolt 22PCS</p>	 <p>b: Allen Wrench 1PC</p>
---	---

### STEP 1

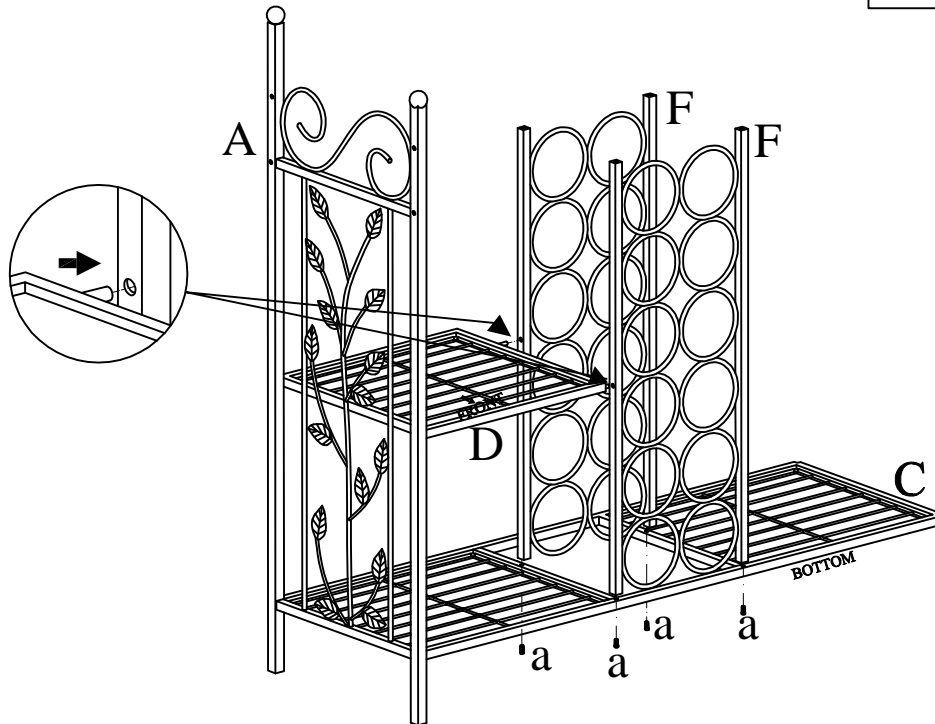
 4pcs



Assemble Bottom Shelf (C) and Left Center Shelf (D) to Left Side Frame (A) using Bolts (a), Please do not tighten bolts (a) until step 5.

## STEP 2

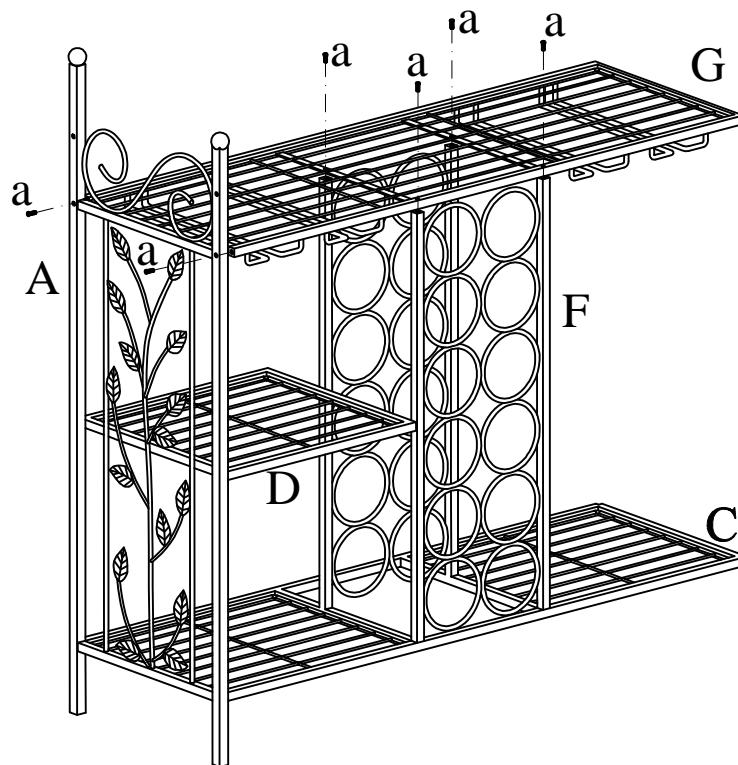
a  4pcs



Insert Left Side Shelf (D) into the holes on Wine Racks (F), then attach Wine Racks (F) to Bottom Shelf (C) using Bolts (a). Please do not tighten bolts (a) until step 5.

## STEP 3

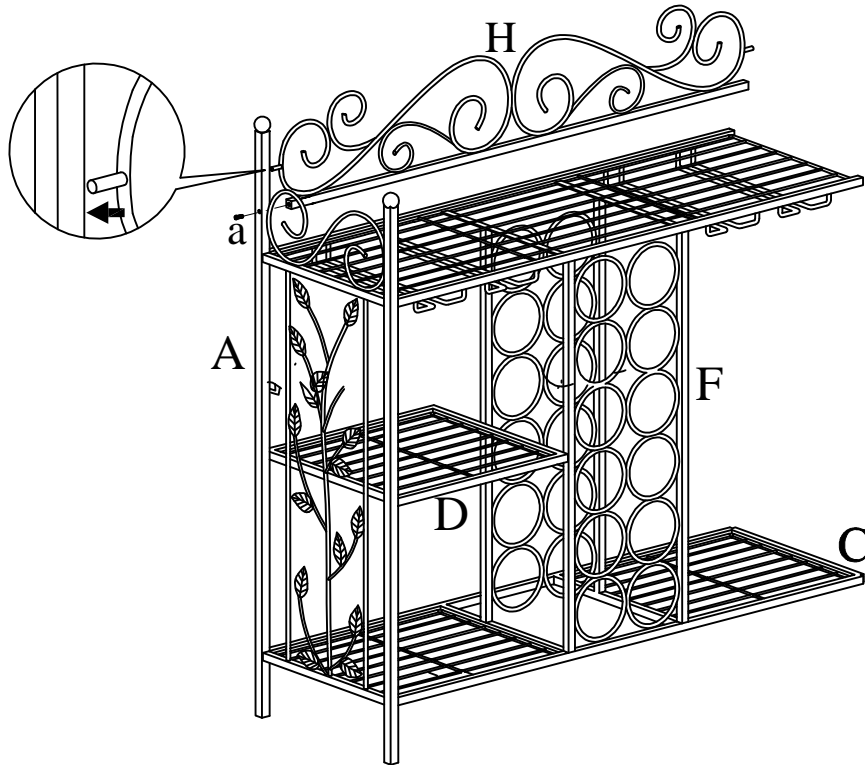
a  6pcs



Assemble Top Shelf (G) to Left Side Frame (A) and Wine Racks (F) using Bolts (a). Please do not tighten bolts (a) until step 5.

## STEP 4

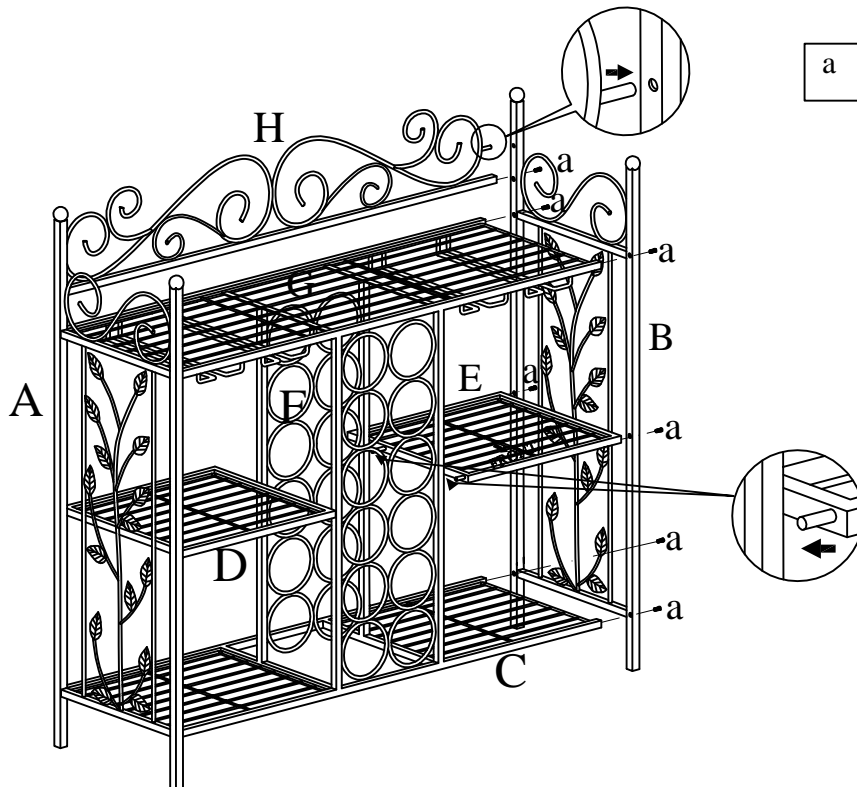
a  1pc



Insert Top Frame (H) into the holes on Left Side Frame (A), then attach Top Frame (H) to Left Side Frame (A) using Bolt (a). Please do not tighten bolts (a) until step 5.

## STEP 5

a  7pcs



1. Insert Right Center Shelf (E) to the holes on Wine Racks (F), then assemble Right Side Frame (B) to Bottom Shelf (C), Right Center Shelf (E), Top Shelf (G) and Top Frame (H) using Bolts (a).
2. Place the wine rack on the floor and check if it is stable before tightening all bolts.